

**MINISTRY OF AGRICULTURE OF THE RUSSIAN FEDERATION**

**KRASNOYARSK STATE AGRARIAN UNIVERSITY  
ACHINSK BRANCH**

**SCIENTIFIC JOURNAL  
«YOUTH SCIENTIFIC AND EDUCATIONAL POTENTIAL IN SOLVING  
ACTUAL PROBLEMS OF THE XXI CENTURY»**

**4**

**Achinsk  
April 15, 2016**

BK94  
N34

*Responsible compiler – A.N. Poluboyarinova, PhD in Law, Associate Professor, Deputy Director of innovation management and international development, Achinsk branch, Krasnoyarsk State Agrarian University*

*Youth scientific and educational potential in solving actual problems of the XXI century: Scientific journal / Resp.compiler A.N. Poluboyarinova. — Vol. 4. — Krasnoyarsk: TOROS — 2016. — 522 p. ISSN: 2420-986X*

The fourth edition of the traditional scientific journal "*Youth scientific and educational potential in solving actual problems of the XXI century*" contains the works of the students of Achinsk branch of Krasnoyarsk State Agrarian University, Krasnoyarsk State Agricultural University, Kabardino-Balkarian State Agricultural University named after V.M. Kokov, Siberian State Technological University, Siberian Institute of Business, Management and Psychology, Volgograd State Agricultural University, Omsk State Agrarian University named after P.A. Stolypin, Tajik Technical University, Kuban State Agrarian University, Southern Federal University, Far Eastern Federal University, Institute of Physics named after L.V. Kirenskiy, the Russian Academy of Sciences, London School of Economics, City University of Hong Kong, University of Pristina, the Faculty of Agricultural of Ankara University, Asia-Europe Institute of the University of Malaya, Sheffield College (UK) and many others.

For researchers and practitioners, graduate students and university students interested in the problems of economics, management, agricultural engineering, environment, history, law, philosophy, physics, mathematics, biology, computer science, pedagogy, ecology.

*Published by the decision of the Board of Achinsk branch  
Krasnoyarsk State Agrarian University*

***Included in the database of the Russian Science Citation Index.***

ISSN: © Krasnoyarsk State Agrarian University  
2420-986X © Achinsk branch, 2016

***We welcome the participants  
Of the 4th international student  
Scientific and practical conference!***

*Scientific and research work in Achinsk branch of Krasnoyarsk state agrarian university is the most important part of the educational process. The researches in the sphere of technical, social and economical, and humanitarian sciences have priority development. In these directions theses and monographs are presented. We see the further effective development of scientific and research activity both in cooperation with the Russian academy of natural sciences and realization of joint projects with foreign partners.*

*Our branch is distinguished by moving forward to everything that is new and progressive. A logical step in this way is the International scientific and practical conference that creates a unique situation allowing us to meet co-thinkers, discuss topical problems of modern science, and present practical results of our research. The wide scope of the conference opens opportunities for intellectual growth of students on the basis of interdisciplinary interactions.*

*We wish the conference participants fruitful work!*

***T.F. Sibirina,***  
*Director*  
*the candidate of biological sciences, associate professor*

# *Section 1*

# Modern tendencies in economics and management: new perspective

## INVESTMENT POLICY IN AGRICULTURE

**Abashin S. A.**

2nd year student, Department of Accounting and statistics  
Krasnoyarsk state agrarian University  
Russia, city of Krasnoyarsk

**Sabirianova Zuhra Tagirjanov**

Supervisor

Ph. D., associate Professor, Department of Economics and agribusiness  
Krasnoyarsk state agrarian University  
Russia, city of Krasnoyarsk

**Abstract:** the article considers the questions of investment in the agricultural sector, analysis, main areas of investment, sources of funding.

**Keywords:** investment policy in agriculture, sources of investment

The Russian agro-industrial sector experiences essential inflow of investments from the large business interested in implementation of new projects. The reasons of it are expansion of measures of the state support, improvement of business climate and creation of additional guarantees for investors. The total amount of investments into agriculture current 2016 will remain at the level of 2015. It is rather quite good volume which will provide us both the current maintenance of branch and, of course, her development at the level from 3 to 5% of GDP.

Krasnoyarsk Krai is a part of regions of leaders, and also the top ten of the Russian Federation on investment activity. One more advantage is that the region has the large areas of land resources which efficiency can reach up to 50 c/hectare grain above. And perspective in the region agriculture and processing industry are developed, and these are such branches which directly provide production of agricultural raw materials and the final product of consumption. At the same time the agriculture share in a gross regional product makes 6,8% (as of 2016).

In Krasnoyarsk Krai measures for improvement of investment climate are carried out:

- state guarantees of Krasnoyarsk Krai;
- granting subsidies for compensation of part of cost of payment of interest rates for the credits obtained on implementation of investment projects, and also leasing payments for the property received from the leasing companies under contracts of leasing for implementation of investment projects;
- providing the budgetary investments;
- tax benefits on income tax of the organizations;
- tax benefits on the property tax of the organizations.

In Krasnoyarsk Krai the whole system of the state support of agro-industrial production and investment activity works. According to data of Krasnoyarsk Krai, in 2016 the volume of investment into agriculture it will be increased to 940,4 million rubles. These are not much less the state support sums following the results of last year's years, it is explained by financial and economic crisis of the country. However it is expected within 1-1,5 years of receipt of additional resources from the federal budget.

Can count farms which realize innovative projects on support. For them the grant program for a period of up to three years, and also compensation to 60% of costs of implementation of the project is provided.

Still in Krasnoyarsk Krai the programs of state support aimed generally at the development of plant growing worked. The programs allowing to support the farms conducting construction of livestock complexes weren't.

The list of investment projects of Krasnoyarsk Krai for 2016:

1. Construction of Sharypovsky poultry farm (Krasnoyarsk Krai, Sharypovsky district, village of Azhinskoye). The organization of a new modern poultry-farming complex "from scratch" on one covered area with observance of the European norms will provide the end user with environmentally friendly, qualitative and fresh production. An opportunity to make production "from the application of the buyer", within one hour to change the product range, does production mobile and very attractive to buyers. Optimization of prime cost of fowl for the account: decrease in production losses, minimum participation of a human factor in a production cycle. (A total cost of the project of 7 914 million rubles, from them: own means of the investor (about 25%) of-1 988,9 million rubles; need for investments of-5 925,1 million rubles)

2. Organization of milk-processing production (Krasnoyarsk). The project of the Company plans construction of milk-processing plant that will allow consumers to have an opportunity of acquisition of quality fresh dairy products from a local producer. (need for investments of 150 million rubles)

3. Creation of fish processing production (Krasnoyarsk Krai, Dolgan-Nenets municipal district, item. Guard). Acquisition of fresh fish at suppliers of Taimyr Dolgan-Nenets municipal district of Krasnoyarsk Krai and the subsequent processing in a product, ready to the use, is planned. (Total cost of the project of 316 million rubles (not less than 50% need for investments))

During an agrarian reform the organization of investment process in agrarian and industrial complex has significantly changed. New channels of attraction and use of financial resources have been created. Consistently the standard and legal base at the federal and regional levels improved. There was an increase in volumes of direct investments from private Russian investors. The system of measures of the state support of domestic producers is at the moment developed they made investments on development of own agricultural production. It concerns more such spheres of agrarian and industrial complex which are focused on import.

Growth of investments into agrarian and industrial complex will allow to reweapon agricultural production by new cars and the equipment for introduction of modern technologies, to lower costs of production and to provide increase in production with competitive production, thanks to labor productivity growth. Full providing the population with qualitative food will be result of these capital investments in development of agrarian and industrial complex and, the main thing, will increase interest of a domestic producer in development of agricultural production.

Investments into agrarian and industrial complex allow to develop rural territories and to improve position of rural toilers, to fix youth in the village and to improve their welfare and household situation, to reduce inflow of the population to the cities due to improvement of quality of life in a mudflow.

#### **List of references:**

1. Ekonomist magazine, 2015, L. Kosholkina "Investment policy in agro-industrial complex"
2. <http://sugar.ru/node/13425>
3. Zerno On-line: The Ministry of Agriculture of the Russian Federation of February 5, 2016.

# PROBLEMS OF IMPROVEMENT OF SOCIAL AND LABOR RELATIONS IN AGRICULTURE

**Batrakova A. Anna**

1th year graduate student of the Department of Entrepreneurship and Business  
Krasnoyarsk State Agrarian University  
Russia, the city of Krasnoyarsk

**Radaykin V. Alexander**

Research supervisor  
Associate Professor of Entrepreneurship and Business  
Krasnoyarsk State Agrarian University  
Russia, the city of Krasnoyarsk

**Abstract:** this article describes the problem of transformation of social and labor relations, and their influence on the level and quality of working life of agricultural workers.

**Keywords:** social and labor relations; agriculture.

In modern agriculture develops a complex system of social and labor relations, the sides of which are employers, employees, and government bodies. The level of development of these relations depends on the effectiveness of work, satisfaction of employees and the quality of his life.

The relationship between social and labor relations, and quality of life of multilateral - it is determined by the production and distribution of income, especially the formation of wages; quality working environment; realization opportunities in labor creative potential; worker participation in the management of production, etc. Social and labor relations and quality of life of workers have a mutual influence on each other. But as hired labor is primarily a means of ensuring employee life, namely social and labor relations have a direct and decisive impact on the quality of life. The quality of life can have the opposite positive or negative impact on the social and labor relations. As a result, a worker can become more proactive, productive, but, most importantly, IT'S all can help improve the quality level of the employment relationship - they become more humane, less conflict. As a consequence - further improve the quality of life of the employee. The interaction of social and labor relations and quality of life continues to the next level. [1].

It should be noted that the social and labor relations in agricultural production, are subject to multifactorial influence - is: the form of ownership of means of production, labor motivation, productivity, wages, social and psychological Relationship in the team. Today was a paradoxical situation on the labor market in rural areas - lack of manpower and the presence of unemployment; low average the wages of the rural population on the one hand, and the complex processes of reforming of agricultural enterprises in the conditions of the ground to ensure a significant and under-irrigation; low rates of economic efficiency, including traditional industries; insufficient supply of the country's agro-industrial complex infrastructure facilities - the other [2].

Solution of the problems of unemployment and underemployment of the rural population, as well as problems of seasonal fluctuations in agricultural labor requirements, you must look primarily to the general expansion of the rural economic base through the development of non-agricultural economic activities. In the short to medium term it is necessary to focus on the restructuring of the production sector in rural areas and promote the development of private enterprises and service profile. Today rural underdeveloped service sector and the manufacturing industry, which requires their reconstruction and will open the prospects for increasing employment.

Down today the situation in the agricultural production complex and ambiguous. Companies that use the old forms and methods of organization of production are in a state of collapse, we passed the point of bifurcation, and are unlikely to recover their production and resource potential and get out of the crisis. But there are new producers, especially large and the largest agricultural companies, built on the principle of holding structures that are actively increasing agricultural production, using the latest achievements of domestic and foreign science, breeding, agricultural chemistry, engineering, etc. [3].

Increasing the level of social and labor relations on the basis of humanity, justice, conflict-free, etc. and on this basis to achieve the quality of life of employees growing, the system displays a "social and labor relations - quality of life" in the new round of development, promotes the growth of the economy. In modern

Russian agriculture are various models of management of social and labor sphere: - autocratic, determined by the will and authority, but often arbitrary management; - Democratic, based on cooperation and trust; - Innovation, aimed at the development of freedom of creativity, initiative and entrepreneurship. However dominated the first of these models in that the desired transition to third - innovation. The concept of improving the quality of life of agricultural workers and developed on the basis of its program of social and economic development, the formation of civil society, the development of social capital should be based on the methodology of systematic, comprehensive and individual approach, with an emphasis on the use of ecological and innovative approaches. It is an innovative development in all spheres of life at the level of the country's leadership is recognized today priority [4]. Prospects in the modern domestic agriculture autocratic management style is very vague, because of the increase of the educational and social level of employees, increase their business activity and independence. But the crisis in the agrarian economy and down tensions in the labor market makes possible the domination of authoritarianism with elements of conflict model of social and labor relations. The most effective option is a constructive social partnership, but its practical implementation is hampered by the lack of initiative from below the formation of independent associations of workers, which is associated with low levels of social capital. Nevertheless, albeit slowly in the domestic agriculture develops practice partnerships are developed forms of their implementation - for example, collective agreements and contracts, consultations and negotiations, coordination of actions aimed at ensuring the optimal balance of the implementation of the interests of the main subjects of relations - employers and employees , joint control over the implementation of the agreements reached by the parties, etc. The effectiveness of any model of social and labor relations performance is measured by the quality of life of the working population. But its measurement is only possible by comparison with some standard indicators, 15 standards of quality of life. Standard – this is not what is the average value of this set of indicators, the achievement of which requires a certain tension efforts. That is the quality of life standards should exceed the average characteristics to be elusive (constantly increasing) the purpose to which society must constantly strive. These standards should be treated as material components to meet the needs of workers and non-material, spiritual, cultural [5]. By increasing the efficiency of work employees need to feel that life is getting better, more interesting, more varied, etc. It promotes social stability and economic growth and development.

#### **Bibliography:**

1. Filimonov OA The evolution of social and labor relations in agriculture Russian sphere and quality of rural population / EA Barbashin, G.G. Fomin, O.A. Filimonov // Herald of Belgorod University of Cooperation, economy and right. - 2011. - №4 (40). - P.120-129.
2. Filimonov OA Mechanisms of effects of social and labor relations in the quality of life of workers / EA Barbashin, OS Fomin, OA Filimonov // Bulletin of the Kursk State Agricultural Academy. - 2012.- №1.- P.58-61.
3. Status of the social and labor sphere of village and proposals for its regulation / Report of the All-Russian Center for Monitoring the social and labor sphere village. - M., 2014.
4. The concept of sustainable development of rural territories of the Russian Federation for the period up to 2020 / On November 20, 2010 №2136-p
5. Statistical materials and research development of agricultural production in Russia. - M .: Rosselkhozakademia 2012.

# IMPROVEMENT OF THE LAND LEGISLATION AS THE NECESSARY CONDITION AND THE FACTOR OF INCREASE OF EFFECTIVE MANAGEMENT OF LAND RESOURCES IN AGRICULTURAL PRODUCTION

**Beloglazova A. Yuryevna**

3th year student of the Department of Economics  
Achinsk branch of the Krasnoyarsk State Agrarian University  
Russia, the city of Achinsk

**Turchina R. Nikolaevna**

Research supervision  
Achinsk branch of the Krasnoyarsk State Agrarian University  
Russia, the city of Achinsk

**Abstract:** The scale of changes in Land codex of the Russian Federation and in the number of other federal laws in 2014-2015 permits judging that in development of land legislation there has started qualitatively new stage, connected with improving the forms and methods of state and municipal management of land resources. Indicated changes are assessed non-identically. While that, now legislatively will be determined the role of state power and local self-government organs, for a long time becomes the determining factor of efficiency in such management.

**Key words:** Land resources; management; auctions; removal; state supervision; land improvement; agricultural purpose land.

Necessary condition of rational use in agricultural production of so unique natural resource as the earth, is effectively functioning control system. And uniqueness of system of land management as well as branches of the land legislation, is that they were created in the conditions of the USSR where, as we know, the earth wasn't considered as property. The privatization of the earth which is carried out during market reforms and involvement her in civil circulation have caused need of stay and legislative fixing of balance of public and private interests for land use.

More than 20 years the balance of public and private interests in land use is provided by the Constitution of the Russian Federation according to which Art. 9, on the one hand, the earth and other natural resources are used and protected in the Russian Federation as a basis of life and activity of the people, living in the respective territory, and with another – the earth and other natural resources can be in private, state, municipal and other forms of ownership. The same balance provides also the constitutional provision that possession, use and the order of the earth and other natural resources are carried out by their owners freely if it doesn't cause damage to environment and doesn't violate the rights and legitimate interests of other persons. All this has found fuller specification in the Land code of the Russian Federation and other federal laws.

In development of the land legislation of the Post-Soviet period it is necessary to allocate four stages:

- acceptance in 1990-1991 of laws which have laid the foundation of transformation of the land legislation of the Soviet period which was based on exclusiveness of state ownership on the earth, inadmissibility of her civil circulation and domination of an imperative method of legal regulation;
- regulation in 1992-1993 of key provisions of carrying out land reform, and also the rights and duties in the land and property sphere;
- the probelmost of the federal land legislation of 1994-2000 caused by inability of the legislator and other bodies and persons involved in legislative process to adopt the Land code or other federal law governing the land relations;
- acceptance at a turn of the 20-21st centuries of the Land code of the Russian Federation (further ZK Russian Federation) and some other the land laws which have eliminated insufficiency of federal legal base in questions of the land relations.

Further specification of legislative regulation of single questions by means of correction of ZK Russian Federation and a number of the existing laws, and also by adoption of new federal laws was carried out. But any legislative short story of the period of 2002-2013, perhaps, didn't allow to judge qualitatively new stage of development of the land legislation. During this period of an innovation in the legislation



didn't act as the factor defining the directions of further development of the public and municipal administration by land resources and a condition of increase of efficiency of such management any more.

Meanwhile the large-scale changes made in 2014 to ZK Russian Federation give a reason for such statement of a question. These changes which have come into force in 2015 provide new rules of granting the land plots to citizens and legal entities, specification of procedure of seizure of land for the state and municipal needs, new approaches to implementation of control and supervising functions in land use. All these legislative innovations are directly directed to change of procedures of management of the land resources including used in agricultural production.

Exclusiveness of land auctions and delegation of power on granting the land plots on which state ownership isn't differentiated yet, from local governments of municipal districts to settlements became key changes.

Concerning auctions it should be noted that throughout all Post-Soviet period of ZK Russian Federation and the bylaws adopted according to him provided two forms of the auction for sale of the land plots or the right of their rent – auctions and competitions. However new rules of granting don't allow competitions – only auctions, and not only owners of the land plots, but also citizens and legal entities interested in their acquisition can be the initiator of their carrying out now.

Meanwhile competitive approach would be quite pertinent when granting such land plot of agricultural purpose on which carrying out actions for protection of lands against an erosion and other negative processes is required. Concerning such land plots interests of society and state consist not so much in maximizing profit on their sale how many in an opportunity to compare a set of actions which buyers of these sites undertake to realize.

As for a role of local governments when granting the land plots, the key provision of new rules of granting is delegation of power concerning the land plots on which property is still not differentiated, from the level of municipal district on the level of settlements. So far such unlocated lands make 40% of land fund of the country.

Despite the most detailed specification of procedures of granting the land plots, in new rules there were also not settled questions. Granting the land plot on the right of free use when owing to features of the specified right and specific subjective structure of assignees the auction isn't held belongs to their number, for example. In some cases several persons can apply for such granting. This moment, as well as some other, demand specification. In this case both tendering, and decision-making taking into account sequence of filing of application is provided to us possible. However the legislator has left from the solution of this question.

As for the question of refusal of institute of categories of lands discussed now, this idea has both pluses, and minuses. But the relation to the relevant bill which was rather alerted as even provided that the optimum formulations and mechanisms connected with new zones instead of present categories will be found, implementation of transition to zones will demand the considerable volume of land management works. So selective the examinations conducted in the Belgorod region have shown that the most part of grounds or isn't registered in cadastre, or is considered without indication of their belonging to category of lands. Therefore to rely on the fact that belonging of grounds to category of lands of agricultural purpose will be "automatically" replaced with their reference to the corresponding zone doesn't follow – because of incompleteness of registration procedures significant areas can appear in other, nonagricultural zones.

In general it is necessary to state very essential updating of the land legislation. And now as well as in an active phase of land reform of the 90th years, innovations in the legislation define contours of the transforming control system of land resources, first of all – used in agricultural production. And from that how optimum will be made decisions, in the long term efficiency of such management will depend.

**List of references:**

1. Loyko P.F. Land use: Russia, world (prospection). - M.: State. university on land management, 2009. (in two books) - 332 pages; 358 pages.
2. The sandpiper G.V. Sokhraneniye and rational use of land and natural resources will ensure food security of Russia.//Agrofood policy of Russia. - 2013. - No. 3. - Page 17-24.
3. Lipski S. A. Zoning of territories as mechanism of ensuring target use of lands.//The property relations in the Russian Federation, 2013. - No. 6. - Page 59-65.
4. Lipski S. A. Rational use of agricultural grounds as important factor of ensuring food security.//Land management, inventory and monitoring of lands. - 2013. - No. 3. - Page 15-20.
5. Hlystun V. N. The land relations in the Russian agrosector.//Domestic notes. - 2012. - No. 6. - Page 78-84.
6. Hlystun V. N., Volkov S.N., Komov N. V. Management of land resources in Russia.//Economy of the agricultural and overworking enterprises. - 2014. - No. 2. - Page 41-43.

# ACCOUNTING IN A PERSON'S LIFE

**Vorobyeva Lyudmila Nikolaevna**

**Kovaleva Aleksandra Vladimirovna**

The 4th year student of the Department of Economics  
Achinsk branch of Krasnoyarsk state agrarian University  
Russia, Achinsk

**Slepcov Vadim Viktorovich**

Research supervisor  
Achinsk branch of Krasnoyarsk state agrarian University  
Russia, Achinsk

**Abstract:** This article discusses accounting in a person's life.

**Keywords:** Accounting, accounting statements.

Accounting plays an important role in society for thousands of years. It is the consideration of accounting as part of world culture may allow us to understand how important the role of accounting and accountants in economic development and world civilization in General.

It is believed that accounting, as a practical activity, as bookkeeping - originated about 6,000 years ago. About 500 years have passed since then, as Luca Pacioli released his famous treatise "About accounts and records" - accounting became the subject of literary discussion, and only about 100 years of accounting exists in the form of an independent science.

Accounting for everyday life – a great healer from laziness. Recalling the data of such records, the person leading it, will always find a way to save and avoid overspending. In daily life accounting help to avoid overruns and shortages at the end of the month.

Accounting for manufacturers is twofold. The most appropriate option in this case is the presence of the accountant directly into production and not just in the office. We offer a comprehensive accounting services firm.

In this case, all inventories are intangible assets that should be strictly taken into account. Here the assistant accountant is a good storekeeper. The cost of transportation costs, which are also an integral part of accounting, should be planned.

The equipment space is too large and the costs to open the production, you need to definitely have a material base, which can put together to trade services. Production eats up a lot of money at the initial stage and every Leader needs to be ready for it.

These costs shall be clearly planned so that they did not lead to the "hole" in the budget. All production processes, given the costs of parts, materials, labor costs should be reflected in the accounting records in detail.

Financial statements in the form in which it exists in the modern world, is nothing else than an informational message that is addressed to an unlimited (financial statements) or limited (management reporting). These messages consist of certain data about the state of Affairs in the leading accounting companies. Such data tell us about what the firm characterized this reporting, many assets, such revenue and profit, the amount of debts to creditors, etc.

Consumers reporting are characterized as users, specific groups of constituents "interests" - lenders, owners, investors, customers, employees, the public, fiscal authorities, etc. the List of such user groups and their information needs can be found, for example, in IFRS.

However, all these abstract groups, users credentials are always live people. And they - these people - familiarity with data reporting flows through to all the laws of perception, not going beyond them. How relevant data will be perceived, is determined by the response to them, reflecting on the accept economic decisions, causing actions on the allocation of resources in the economy. React to information, make decisions and act people. It is their behavioral responses to accounting statements and their actions in the surrounding social environment.

In this context, all socio-cultural aspects of human life have direct relation to accounting. Thus, the conversation about accounting "seriously" as part of a culture should involve an attempt to understand how and why people, and therefore society as a whole, react to their received accounting data. For example, the user sees statements that according to the accounting balance sheet of the firm grow assets without growing debt to creditors.

The assets are treated as a coverage (security) obligations. Therefore, if the assets grow, it means that the firm has, than to pay the debts, and credits you can take. Firm is solvent and creditworthy. This conclusion may provoke a reaction-the action - the provision of this loan company. However, the increase in current assets, of which we speak, can be caused solely by changes in methods of accounting under the accounting policy of the company.

Accounting represents the performance of qualitative and quantitative side of the various operations by means of their fixation in natural and monetary equivalents on the basis of documents and accurate information.

Business transactions are continuously recorded in the accounting records, it is possible to see a continuous movement of liabilities and assets. Each transaction is supported by documents, therefore, has legal basis and is fixed in money terms. Reliable indicators allow the company to make informed decisions in matters the benefits of doing business and strengthening the power of enterprise and competitiveness at the market of goods or service

### **Bibliography:**

- 1 Antsiferova I. V. financial Accounting [Text]: textbook. / Antsiferova I. V. – M.: Dashkov and To, 2013. – 556 p.
  - 2 Babayev, Yu. a. financial Accounting [Text]: textbook. for high schools / under the editorship of Professor Yu. a. Babayev – Ed. 2nd Rev. and add. – M.: high school textbook, 2009. – 650 p.
  - 3 Bakanov M. I. the Theory of economic analysis [Text]: textbook. / Bakanov M. I., Sheremet A. D. – M.: Finance and statistics, 2011. – 357 p.
  - 4 Baholdina V. I. financial Accounting [Text]: textbook. manual / Baholdina I. V., Golyshev N. I.– M.: INFRA-M, 2013. – 320 p.
  - 5 Bernik V. R. Accounting and taxes. Regulations [Text]: textbook. allowance / Bernik V. R.– M.: Publishing house "Links" 2010. – 304 p.
  - 6 Bochkarev, I. I. financial Accounting [Text]: textbook. / edited by Sokolov Y. V. – M.: Master, 2013. – 416 c.
- 1 <http://buxgalteria.com/raznye/znachenie-buhgalterskogo-ucheta.html>

# RESEARCH TRENDS MARKET SUGAR CONFECTIONERY AT THE INTERNATIONAL AND NATIONAL MARKETS

**Elena Gerasimova**

1 st year students of the Department of Entrepreneurship and Business  
Krasnoyarsk State Agrarian University  
Russia, the city of Krasnoyarsk

**Lyudmila Yakimova**

scientific adviser  
Professor, Doctor of Economics

**Abstract:** In this article the development trends of sugar confectionery, the structure of global sales by country, analyzed the dynamics of the market development in the Krasnoyarsk Territory, as well as the basic manufacturers of confectionery products.

**Keywords:** development trends; Dynamics of market volume; food industry; sugar confectionery; sales structure; competition.

According to the Federal State Statistics Service confectionery industry is one of the largest (in terms of volume of production) parts of the food industry [1].

Figure 1 shows the structure of the global sales by country.

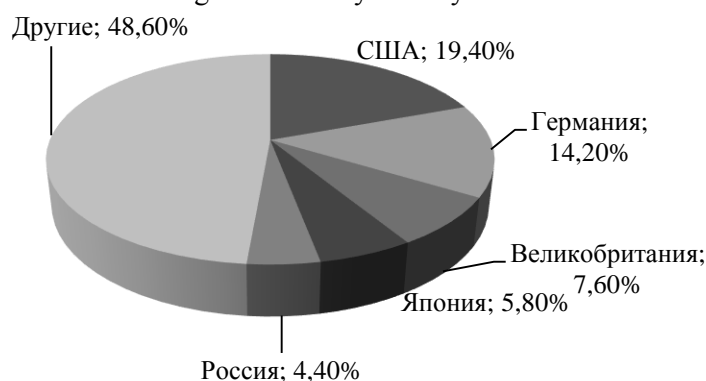


Figure 1 - The structure of the global sales of sugar confectionery in 2015

Among the world market sugar confectionery largest are the United States, accounting for about 15% of global sales. This is followed by the markets of Germany, UK and Japan, each of which is almost three times less than the US market. Russia in 2015 was only on the 5th place and took less than 5% of global sales of confectionery products [2].

Currently in Russia in the confectionery industry, there are about 1500 specialized enterprises producing sugar confectionery total average capacity of 2900 ths. Tons.

Currently, there is a steady trend of growth of the Russian market of confectionery products. A similar situation exists in the region, including in the Krasnoyarsk Territory. The growth of the regional market increases its attractiveness and, in turn, increased competition, due to the expansion in the region is the major market players.

In recent years, the market, despite the crisis in the global economy, demonstrates exceptionally positive trend: the average height - 12-13% per year (Figure 2).

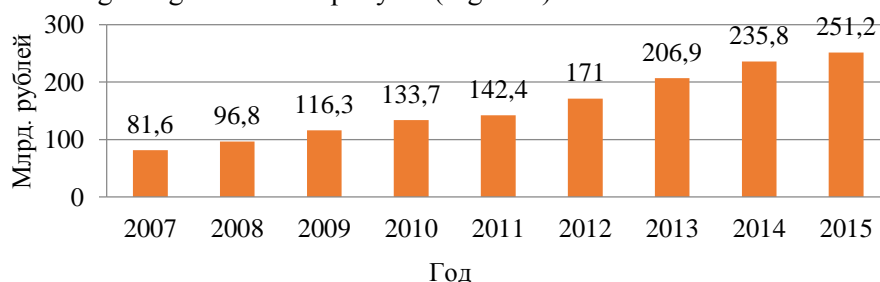


Figure 2 - Dynamics of the Russian market of sugar confectionery in money terms in 2007-2015, billion rubles. [3].

The share of the Krasnoyarsk Region in the structure of Russian production of sugar confectionery is 2.1%. Analysis of the growth rate of the Krasnoyarsk confectionery market has shown that the local market has grown steadily over the past decade. During this period, sales increased 5 times (Figure 3).

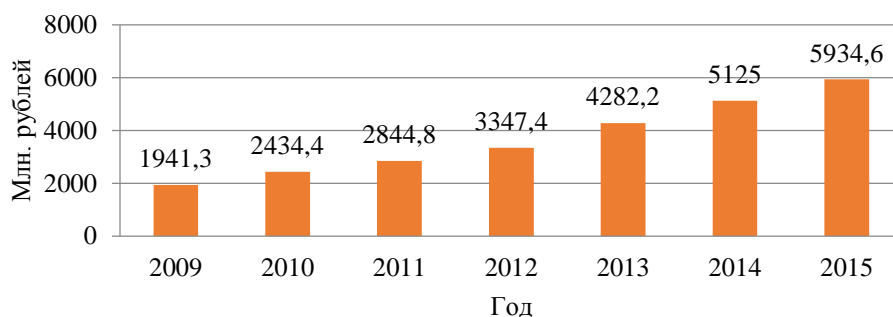


Figure 3 - Dynamics of confectionery sales in the Krasnoyarsk region, million rubles [4].

In Krasnoyarsk sugar confectionery market the products of Russian producers, such as "United Confectioners"; Confectionery Association "is sweet"; confectioneries -, CF Minusinskaya "Slavyanka", "Udarnitsa", JSC "Krascon" - is the largest regional factory and others.

Competition in the Krasnoyarsk market sugar confectionery exacerbates the problem of sustainable functioning of regional producers. This fact led to a deterioration of the market position of the largest local producer JSC "Krascon". So in the activities of JSC "Krascon" over the past years we have seen the negative dynamics of sales, which consequently affected the market share occupied by them at the general growth of the regional market.

One way to ensure the competitiveness of JSC "Krascon" and maintain the pace of its development is a regional brand repositioning of the company.

Currently, the major trends in the global market for confectionery industry are:

- 1) An increase in the segment of premium products;
- 2) focus on the concept of a healthy diet;
- 3) reduction of the content of sugar and fat in foods;
- 4) the use of organic products;
- 5) the introduction of new flavor innovations;
- 6) The blurring of boundaries between the notion of sugar confectionery and pastry products. [5]

These are the main trends and market development. Attracting the attention and interest of the customer to the product is achieved by focusing on the beneficial properties (freshness, naturalness, nutritional value) and gustatory merits through advertising, which is placed not only on the packaging, but also everywhere in public places: at the bus stop a taxi, at the airport, vehicles, etc.

#### References:

- 1) The site of the Federal Service of State Statistics of Russia [Electronic resource] - Access mode: <http://www.gks.ru> (reference date: 02/03/2016)
- 2) Analysis of the world market sugar confectionery in 2010-2015, forecast for 2016-2017. [Electronic resource] - Access mode: <http://marketing.rbc.ru/research/562949984448129.shtml> (reference date: 02/03/2016)
- 3) The picture is clear: the candy is safe and tasty. [Electronic resource] - Access mode: <http://www.foodmarket.spb.ru/current.php?section=2> (reference date: 03/12/2016)
- 4) Stable growth "sweet" market. [Electronic resource] - Access mode: <http://www.ksonline.ru/nomer/ks/-/id/20538/> (reference date: 03/12/2016)
- 5) Trends and innovations of the world confectionery industry. [Electronic resource] - Access mode: <http://www.konditerprom.ru/articles/5029> (reference date: 03/13/2016)

# REGULATION BY CENTRAL BANK OF THE RUSSIAN FEDERATION LIQUIDITIES OF COMMERCIAL BANKS

**Alexey A. Zhack**

Student of 1 rate of a magistracy «Finance and credit»  
Krasnoyarsk state agrarian university  
Russia, the city of Krasnoyarsk

**Dmitry V. Hodos**

Research supervisor  
Dr.Econ.Sci., professor  
Head of the department of economy and agrobusiness  
Krasnoyarsk state agrarian university  
Russia, the city of Krasnoyarsk

**Annotation:** In article the overview of the negative factors influencing economy of Russia, in particular a bank system. Centralized risk management methods of loss of liquidity of banks are considered. The analysis of accomplishment of standard rates of liquidity is carried out by «Russian Agricultural Bank».

**Keywords:** Economic development, liquidity management, standard rate of instant liquidity, standard rate of current liquidity, standard rate of long-term liquidity.

Political and economic events of the past two years negatively impacted on the economic situation of our country. USA, countries of European Community and their allies imposed sanctions against the country's major banks, major defense enterprises and oil companies. Russia faces slowdown in economic growth, increase of capital flight, development of inflation and devaluation of the rouble. The major negative factors on the world stage are deterioration in world demand, shale revolution, sharp fall in the oil prices and military conflicts.

The five major banks of the country: Sberbank of Russia, VTB Bank, Gazprombank, Vnesheconombank and Russian Agricultural Bank were jeopardized by the sanctions. The foreign creditors are forbidden to purchase, sell or settle transactions with securities and money market instrument of the largest Russian state organizations having maturity of more than 30 days. This led to significant increase of the liquidity risk of the Russian banks.

The commercial banks' liquidity in Russia is managed at two levels: at the level of the Central Bank of Russia (centralized management) and at the level of the commercial bank (decentralized management).

According to the Instruction of the Bank of Russia No N 139-I dated December 3, 2012 "On prudential supervision ratios" in order to monitor the liquidity situation of the bank, i.e. its ability to ensure timely and complete performance of its monetary and other obligations resulting from transactions involving financial instruments, the quick liquidity ratio, the current liquidity ratio and the long-term liquidity ratio which regulate (limit) the liquidity risks of the banks were fixed and defined as the ratio between assets and liabilities considering the terms, amounts and types of assets and liabilities and other factors.

- 1) Quick liquidity ratio (H2) regulates (limits) the liquidity risk of the bank within one transaction day.
- 2) Current liquidity ratio (H3) regulates (limits) the liquidity risk of the bank within 30 calendar days being closest to the ratio calculation date.
- 3) Long-term liquidity ratio (H4) regulates (limits) the liquidity risk of the bank as a result of investments in the long-terms assets.

Let us analyze the liquidity risk of Russian Agricultural Bank in the current economic conditions on the basis of the three supervision ratios of the Central Bank of Russia.

Let us consider the quick liquidity ratio (H2) from 01.01.2011 till 01.01.2015, Figure 1.

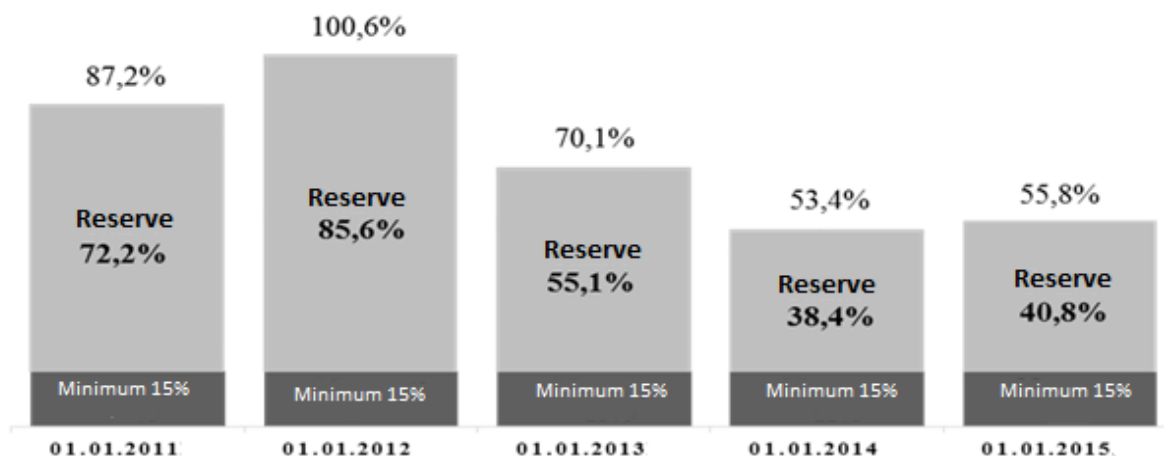


Figure 1 – H2 quick liquidity ratio trend data

Russian Agricultural Bank has met the fixed ratio during all periods, which means the low solvency risk of the bank within one day, at the same time the bank has sufficient reserves. However, it can be noted that the actual value of quick liquidity gradually decreases and is 55.8% as of 01.01.2015.

The following diagram shows the current liquidity ratio (H3) (Figure 2)

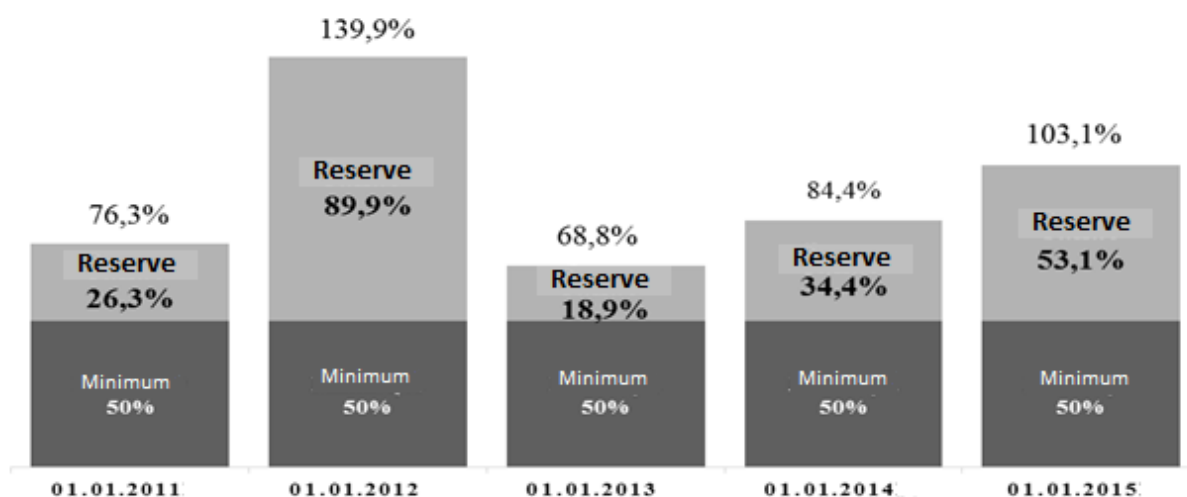


Figure 2 –H3 current liquidity ratio trend data

Regarding this ratio Russian Agricultural Bank managed to exceed the minimum value of the ratio - 50%. 2011 shows strong growth of the actual value up to 139.9%, but the following year has sharp fall by 71.1% and the margin to the minimum standard ratio is 18.9%. In subsequent years we can see an even decrease of the liquidity risk. The actual value of the current liquidity is equal to 84.4% in 2013 and 103.1% at the beginning of 2015.

Next let us analyze the long-term liquidity ratio (H4), which should not exceed 120%. (Figure 3)



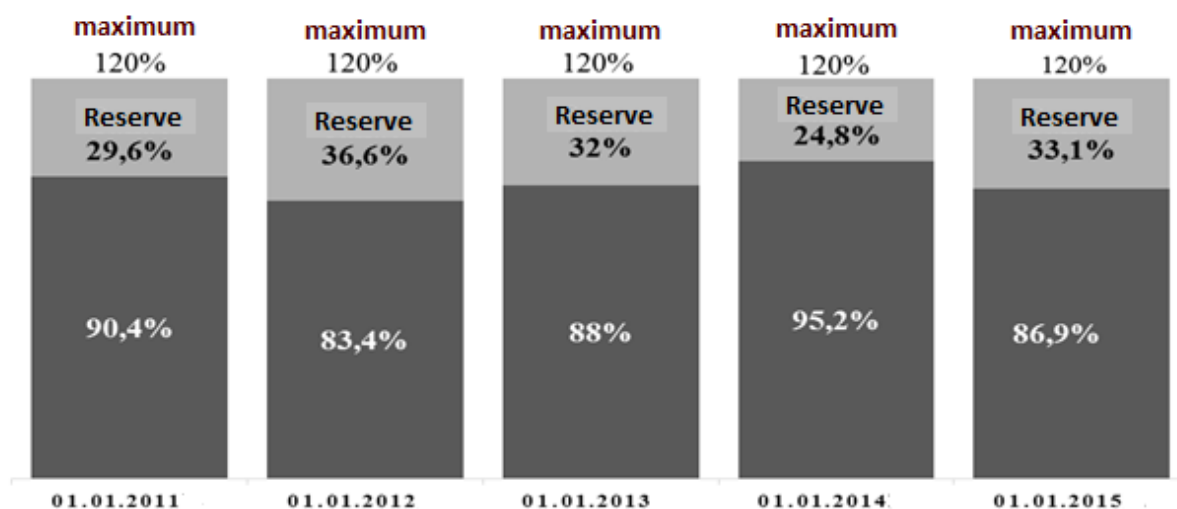


Figure 3 – H4 long-term liquidity ratio trend data

The Bank managed to carry out its activity within the standard value with a sufficient margin from 24.8% to 36.6% over five years. Consequently, the liquidity risk of the bank as a result of investments in the long-term assets is at a safe level.

The trend of the actual liquidity in the period from 01.01.2011 till 01.01.2015 shows that Russian Agricultural Bank has met all supervision ratios fixed by the Central Bank of the Russian Federation and currently has sufficient liquidity cushion to ensure sustainable development, despite the difficulties encountered in the banking sector.

#### **Bibliography:**

1. Lavrushin IO Bank management: textbook – M.: KNORUS, 2009. – 560 p.
2. Annual report «Russian Agricultural Bank» [Digital resource]. – Electronic data – Access mode: [http://www.rshb.ru/investors/year\\_report/](http://www.rshb.ru/investors/year_report/)
3. The instruction of the Bank of Russia of December 3, 2012. N 139-I "About obligatory standards of banks" <http://www.cbr.ru/PSystem/P-sys/139-I.pdf>

# **IMPROVEMENT OF THE LAND LEGISLATION AS THE NECESSARY CONDITION AND THE FACTOR OF INCREASE OF EFFECTIVE MANAGEMENT OF LAND RESOURCES IN AGRICULTURAL PRODUCTION**

**Kulneva Elizabeth Vadimovna**

student 3 courses of department of economy  
Achinsk branch of Krasnoyarsk state agricultural university  
Russia, Achinsk

**Tourist's rank Raisa Nikolaevna**

research supervisor  
senior teacher  
Achinsk branch of Krasnoyarsk state agricultural university  
Russia, Achinsk

**Summary:** In article sources and the directions of use of investments are considered in agricultural production. Their influence on efficiency is certain activity of the agricultural organizations. The main directions are offered increase of efficiency of investments into agriculture.

**Keywords:** investments; agricultural organizations; sources and directions of investments; efficiency of investments.

In conditions of an economic crisis for ensuring positive development of agrarian economy it is required to create the necessary prerequisites directed to increase of efficiency of investment projects in separate branches of agriculture and first of all it is fuller to use available land and a manpower, to improve crediting, to improve conditions of leasing of technological means and breeding animals, to increase the state support, and also to undertake other measures.

Insufficient state support of development of the major directions of innovative activity in agriculture causes the necessity of development of the mechanism of increase in investment resources from various sources and increase of efficiency of their use.

Increase of efficiency of investment activity assumes use of scientific methodology of anticipation of her directions and forms, adaptations to overall objectives of development of the organization and to the changing conditions of external investment environment. At the same time it is necessary that investment strategy is defined not only priorities of the directions and forms of investment activity of the organization, nature of formation and distribution of investment resources, but also sequence of stages of realization of the most effective ways of achievement of the investment purposes.

Expediency of implementation of investments is defined by excess of the gained income over the invested current sums of money. Existence of excess of the first sums over the second is criterion of that, investments are how desirable. Thus, efficiency of investments as a relative indicator decides by comparison of results from realization of investments (effect) on the size of their expenses.

The main indicators characterizing efficiency of use of the arriving resources on the basis of investment activity of the agricultural organizations are the gross value added, gross accumulation, coefficient of updating of fixed assets, profitability of own capital and profitability of realization of agricultural production.

The main thing in investment – to provide the timely and optimum financing of the agricultural organizations directed to expanded reproduction.

The main sources of investments into development of agricultural activity in modern conditions are; own means including the profit which has remained in the order of the organization; depreciation of fixed assets of production; other own financial means; the raised funds presented by the long-term and short-term credits of banks and borrowed funds of other organizations; budgetary funds, including subsidies from all levels of budgets; means of off-budget funds, including investments from abroad.

Because the raised funds, especially the credits of banks, cause additional expenses of the organizations in the form of payment of percent, a priority source of investment are own means received as result of economic efficiency of a production activity of the organization

The analysis of information on means of financing of long-term investments and financial investments shows that in the agricultural organizations of the Russian Federation because of their low

profitability in structure of sources of investments the raised funds have the largest specific weight though the tendency to their reduction in recent years was outlined.

In the conditions of membership of Russia in the WTO the state investments could increase by expansion of direct financing (on the returnable, irrevocable or mixed basis) at implementation of separate programs at the level of regions, the separate organizations and industry projects, for example, of development of meat and dairy cattle breeding. It should be noted that as a result of insufficient investments and rather not their high efficiency the budgetary subsidies annually increase.

As a result of increase in investments practically on all sources of financing total investment for 2008-2013 has increased in the agricultural organizations for 67%. For the considered period in total amounts of long-term investments and financial investments in non-financial assets of the agricultural organizations the main place is taken by investments into fixed capital, that is on reproduction of fixed assets. Recently investment volume in a basis the capital have considerably increased. So, if in 2008. They made 291,4 billion rubles, in 2013 – 443,6 billion rubles, or have increased by 52,2%. It has allowed to increase the cost of fixed assets of production in the agricultural organizations from 712,0 billion in 2008. To 1451,5 billion rubles in 2013. Or twice.

**List of references:**

1. The main indicators of agriculture in Russia in 2013, Rosstat, M., 2014
2. Russia in figures, Rosstat - M., 2012-2014
3. Tyapkin N. T., Panina N. A. Effektivnost of investments into agriculture. All-Russian scientific and practical conference "Actual Problems of the Financetrovy Taxation of Agrarian and Industrial Complex in the conditions of Globalization of Economy". The collection – articles. – Penza, 2014.
4. Annual reports on a financial and economic condition of producers of agrarian and industrial complex for 2007-2013.

## PROBLEMS IN RUSSIA excise taxation

**Kuranov Egor Sergeevich**

4th year student of the Department of Economics  
Achinsk branch of Krasnoyarsk state agrarian University  
Russia, Achinsk

**Cuglenok O. M.**

supervisor  
senior lecturer, Department of Economics  
Achinsk branch of Krasnoyarsk state agrarian University  
Russia, Achinsk

**Abstract:** Improvement of the excise tax is one of the most controversial topics of reforming the legislation of the Russian Federation on taxes and fees. This is due to the fact that excise taxes play an important role in the economic and in the social sphere.

**Keywords:** excise, taxation, excise taxation, of excisable goods, the rate

In the end, the state Duma adopted in the 2nd reading of the bill, regarding the rates of various excise taxes for the period 2016-2018 G. this bill provides for the continuation of the excise rates, which were approved in 2014, but the changes affected the indexation of the rates relative to 2018 by 5% in relation to rates of 2017.

It is worth noting that especially large excise tax in 2016 (and it is 10500 rubles per ton) would be taxed gasoline, which is below the 5th grade. This next year will start to establish the excise tax on so-called middle distillates, 4150 rubles/ ton.

Goods Rate of excise duty

Gasoline class 5	7530 RUB/ton
Straight-run gasoline and not matching the 5-th class	10500 RUB/ton
Gasoline	4150 RUB/ton
Engine oil	6000 rubles/ton
Jet fuel, benzene, paraxylene, orthoxylene	3000 RUB/ton
Heating fuel	3000 RUB/ton
All kinds of tobacco	2000 RUB/kg
Cigars	141 rubles/piece
Cigarillos, bidis, kretek	2112 RUB/l
Cigarettes and cigarettes	1250 RUB/l
Cider, Mead and wine from imported grapes	9 RUB/l
Wines from domestic grape	5 RUB/l
Imported sparkling wines	26 RUB/l
Sparkling domestic wine	13 RUB/l
Beer with a bit of alcohol from 0.5 to 8.6%	20 RUB/l
Beer with higher alcohol content to 8.6 %	37 RUB/l
The alcohol content of ethyl alcohol up to 9%	400 RUB/l
The alcohol content of ethyl alcohol more than 9%	500 RUB/l

For ethyl alcohol, which are implemented by organizations that do not pay the advance payment of the excise duty 102 RUB/l

Primarily, the government uses the excise tax in order to stimulate the rejection of bad habits. It helps to improve the quality and increase life expectancy. The fight against alcoholism and tobacco Smoking will most purposefully spread the cost of health care, limit use of alcohol and tobacco to minors and reduce instances of driving while intoxicated.

It should also be noted the problem of increasing excise duties on tobacco products. For the purpose of increasing excise taxes on tobacco is the fight against Smoking, especially among young people. But the growth of prices of tobacco products will not solve the problem of replenishment of the budget, and will only lead to the emergence of counterfeit products market (2014 budget losses will amount to 3.7 billion rubles). The increase in rates of excise duty on cigarettes is to cover the additional expenses of the budget on health care for smokers, since poor health increases the cost of treatment. Increasing excise taxes on

tobacco products, the state is necessary not only to solve the problem of preservation of health and life of the population, but also to care about increasing government revenue, and to combat the criminal market in Russia. To reduce the consumption of cigarettes, it is necessary to significantly increase the excise taxes on tobacco. But the excise duties on tobacco products must correspond to the purchasing power of the population, then it will be possible to avoid the development of the black market.

The actual problem is the problem of excise policy in relation to petroleum products (fuel) and energy. Oil is an important source of replenishment of the Federal budget of the country, but the change of excise rates on petrol could lead to inflation.

Low gasoline prices encourage people to buy more cars to use the old machine, which negatively affects environmental situation in the cities. In this case the transport infrastructure is in poor condition. The share of expenditures on transport and road sector in the total GDP amounted to 3.8%, but this is not enough to create an efficient transportation system. By 2020. it is planned to increase investments up to 4 - 4.5% of GDP. Theft, wasteful spending allocated for road construction funds, the use of substandard materials, demand increase in excise rates on fuel, as it is one of the means to increase budget income. The persistence of low gasoline prices allows you to maintain a high level of income inequality of the population. State policy should be aimed at ensuring profitability and stability in all spheres of society, including entrepreneurship. The yield and stability of the budget, the increase in tax revenues should come through economic growth, but not at the expense of toughening of the tax regime. Only then will it be possible rise in the country's economy.

Increase in excise tax contributes to the growth of budget revenues, but eventually it will lead to increased social tension and negative impact on the economy. But most importantly, it will complicate the lives of ordinary citizens will increase prices for travel, food, utility payments, and therefore will decrease the standard of living of the population.

Increase of excise rates increases of budget revenues and affects all.

#### **References:**

1. Appendix No4 to the Conclusion of the accounts chamber of the Russian Federation on the draft Federal law "On the Federal budget for 2014 and on planning period 2015 and 2016".
2. Chernik D. G. Taxes and taxation: textbook . 2-e Izd., M.: M.: Uniti-DANA, 2011. 366

# FORMATION OF COMPETITIVENESS OF WORKERS SYSTEM KPI

**Anastasiya O. Logachova**

Student 1 course, the direction of 38.04.02 Department of Krasnoyarsk State Agrarian University  
Entrepreneurship and Business  
Russia, the city of Krasnoyarsk

**Lyudmila A. Yakimova**

scientific adviser, Professor of Entrepreneurship and Business  
Krasnoyarsk State Agrarian University  
Russia, the city of Krasnoyarsk

**Abstract:** This article describes the ability to exercise management functions on the basis of, the use of KPI metrics that can be used to assess the effectiveness of the actions carried out by the company and the employees.

**Keywords:** KPI system, staff motivation, productivity.

According to surveys of representatives of Russian tourist companies about 60% said that the economic crisis is increasing the value of the correct approach to performance management, so in a crisis situation it is necessary to adjust the set of performance management performance of the company.

KPI's can be used to assess the effectiveness of the actions carried out by the company as a whole, individual departments and employees. KPI system can contribute to achieving the company's goals.

Using the right KPI reporting transforms traditional decision-making tool, based on accurate up to date information. This allows the general manager and top managers to increase their own efficiency and optimal use of working time. KPI link the daily work of ordinary staff with the strategic objectives of the organization and do meaningful work in terms of understanding each employee's individual contribution to the results of the company. The motivation system based on KPI accurately indicates the priorities and key areas of work of each individual employee and all of the structural unit in which it operates [3].

On the contrary, the absence of articulated concepts about the product and for the company leads to confusion in communication within and outside the organization, the staff and the owners lack of understanding of its role in the market and, therefore, the wrong interpretation of its value to consumers and all target groups in the supply chain. All this has a direct impact on business performance and commercial performance.

Consider the use of KPI system on the example of any Russian tourist company  
Key indicators are formed at the customer level, takes into account the client's preferences. This is the key performance indicators (KRI). As a rule, customers formulate requirements only to financial indicators: the favorable price of a round, the quality of customer service, security, enterprise representing accommodation and food companies in the field of leisure and entertainment. However, other important dimensions to consider when evaluating the company's activities:

- Market share (percent shares, rub.);
- image, putation, notoriety companies;
- employee satisfaction;
- coverage of clients in the area;
- coverage areas;
- Launch of new trends, sales channels (projects).

Once the goals and targets are indicated, they are broadcast on the second level of the organization. At this level, the manager should realize the goal the manager should choose a suitable tour cost for the client to stay, pick up food and to find suitable entertainment for the client, as well as to ensure customer safety. As a result, the sales manager can be assessed on the following parameters:

- implementation of an individual plan of shipments for the month, rub.;
- Customer Satisfaction Index, points;
- arrival of money from clients in the planning period, rub.;
- perform standard «deep discounts», interest, etc.

If the manager performs a sale that is gaining enough points on the tour that he is given a free tour [1].

The existing monitoring tools, including reports, should provide rapid processing and analysis of the data. In a situation, when the head of the slave enters a considerable amount of multidirectional statements made in various forms and software tools that do not allow to combine them into a coherent whole, the head is forced to deal in a variety of forms coming to him alone. The lack of control leads to an inability to respond quickly to the situation on the market [2].

**Bibliography:**

1. M. Atkinson, Choice P.T. Achievements of goals. Step by step system. - M .: Wiley Publishers, 2013. - 281 p.
2. P. Drucker Management. Challenges of the XXI century. - M .: Mann, Ivanov and Ferber, 2012. - 256 p.
3. D. Parmenter KPIs. The development, application and implementation of critical indicators. - M .: Olympus Bize-bore 2009, -288 p.

# IMPROVING THE EFFICIENCY OF AGRO-INDUSTRIAL COMPLEX

**Diana Martey**

London School of Economics,  
Department of Finance  
OLD 3.05| OLD Building|  
Houghton St | London | WC2A  
2AE

**Abstract:** In the article methodology of estimation of efficiency of business processes is examined in an agroindustrial complex.

**Keywords.** Business process, efficiency, effectiveness.

The analysis of indicators of productivity of processes of the integrated system of management, the enterprise for effective management of processes needs to work in the following directions:

- Continuous studying and the analysis of external and internal factors and requirements of interested parties by means of creation of marketing service at the enterprise.

- Big interrelation of economic, ecological and social aspects on the basis of integration of systems of management.

- Use of the revealed criteria at an assessment of productivity of processes of the integrated system of management with the subsequent improvement of those processes in which deviations from the planned indicators are observed, and, introducing the amendments caused by specifics of the enterprise and changes of external and internal factors.

- Management on the movement of information streams from processes on the basis of collecting in a uniform stream in department of the integrated system of management for providing information to the top management. This stream contains information on results of activity, characteristics and tendencies of production, opportunities of carrying out the correcting and warning actions, on suppliers, needs for resources, improvements and satisfaction of consumers.

- Regular carrying out an assessment of productivity of processes of the enterprise and the integrated system of management for development of administrative decisions on providing and increase of stability of the enterprise.

- Use as the effective instrument of improvement of a control system and increase of productivity of processes of the tool of a benchmarking. Potential of a benchmarking can be effectively realized during creation of benchmarking alliance as a part of which there can be enterprises of agro-industrial complex: production, processing, consulting, marketing, legal, educational. The corresponding information environment providing distribution and an exchange of knowledge of achievements is for this purpose necessary. As the mechanism for creation of such environment internal corporate networks and the websites can serve.

Thus, the offered criteria and a technique of an assessment and increase of productivity of business processes, can be used for adoption of reasonable decisions in management of business processes of the enterprise. By means of the described steps the industrial enterprise can independently create the system of an assessment of efficiency of business processes opening all necessary information to internal users and considering all features of activity of the concrete agricultural enterprise.

## **List of references:**

1. Economic levers of state regulation of activity of the enterprises agro-industrial//N. I. Pyzhikova, E.V. Titov, M. A. Kozlov. - Achievements of modern science. – 2015. - No. 4
2. Titova E.V. Instruments of decrease in risks of innovative activity of the enterprises of the meat industry//Thesis for degree of Candidate of Economic Sciences. – 2011.
3. Pyzhikova N. I. Instruments of decrease in risks of innovative activity of the enterprises of the food industry / N. I. Pyzhikova, E.V. Titov; Krasnoyarsk. state. arpap. un-t. – Krasnoyarsk, 2010. – 124 pages. the information environment providing distribution and an exchange of knowledge of achievements. As the mechanism for creation of such environment internal corporate networks and the websites can serve.



# PRICING PROBLEMS IN THE MODERN ECONOMY

**Parfyonova Valerya Alexandrovna**

3rd year student of the Department of Economics  
Achinsk branch of the Krasnoyarsk State Agrarian University  
Russia, the city of Achinsk

**Sleptcov Vadim Viktorovich**

Senior Lecturer, Department of Economics  
Achinsk branch of the Krasnoyarsk State Agrarian University

**Keywords:** price, economy, pricing mechanism.

The relevance of the topic lies in the fact that to date, the pricing is a critical component in today's economy.

Pricing is a multi-step and complex process that requires careful study, analysis and evaluation of markets, costs, products, pricing and competition. The establishment of the final price is an important mechanism of pricing policy all enterprises of different ownership forms, a direct impact on sales activities, as the level and ratio of prices of certain products, particularly competing products have a decisive impact on the volume of purchases made by consumers. Prices are closely related to all components of marketing and industrial and economic activity of the company as a whole. From correctly set prices largely depend on the actual business results, and erroneous or correct pricing can have a lasting impact on the respective position of the company on the market.

The complexity of pricing and price is the price - category opportunistic. A "situation" is derived from the Latin words "connect," "to bind." This coupling, the relationship of political, psychological, economic and social factors. The impact of these factors on the development of different markets, it is constantly changing. Price - focus, where converge the force fields of market. Today, the price may be determined by the cost factor, and tomorrow it may depend on the level of consumer behavior psychology. Colouring prices, like litmus, depending on the situation, the health of the economy. This is the phenomenon of price.

Also, the pricing and price is an important part of the economic mechanism. The very economic mechanism is a set of organizational structures and specific forms of management, governance and legal forms by which society uses economic laws, taking into account the prevailing situation.

In dealing with the complex pricing methodological problems at the present stage of development of our society plays an important role a deep theoretical understanding of the role and value of the labor of the creative nature of its content as the substance of value and price, material wealth.

On the way of development of the laws of market economy pricing system management issues occupy a central place in the social policies of the state.

Implementation of the pricing on a scientific basis lies in the improvement of economic relations in the sphere of exchange, production, consumption and distribution of wealth.

The methodology of pricing - is the set of general rules, the development of methods, pricing principles, rationale and pricing, pricing management, pricing system. The methodology is the same for all levels of pricing, ie basic rules and regulations of pricing does not change depending on who and for how long sets prices. This is a prerequisite to the establishment of a unified price system operating in the national economy.

You can not compare the two concepts: methods and methodology, as they are very different.

Based on the methodology developed by the pricing strategy and methodology are specific recommendations and tools to implement the strategy in practice. It follows that the procedure - these are the main elements of the methodology that combines several methods of pricing.

Each method has its own features, but these features and differences should not go beyond the requirements of a unified methodology. The second important element of the methodology are the principles of pricing, which refers to permanent main provisions specific to the whole price system and its underlying. pricing principles may be real only through the development and application of appropriate methods. Accordingly, principles and methods are interconnected and form methodology. In the transition to market pricing methodology should remain united, that will make possible the gradual formation of the same rules and principles of the pricing system, adequate market relations. The main principles of pricing are:

1. The scientific study of prices;
2. The target price direction;
3. continuity of the pricing process;
4. The unity of the process of pricing and price controls.

The first principle is the need for knowledge and the account in the pricing of the objective economic laws of market economy, supply and demand, the law of value. Scientific substantiation of prices based on a thorough analysis of the market situation of all market factors, as well as acting in the economy the price system. It is necessary to identify trends in the development of production, to predict the change in the level of demand, product quality, costs and others. The scientific substantiation of the price much depends on the completeness of the information provision process, pricing and requires diverse and extensive information, especially economic.

The principle focus of the target price is to clearly define the social and economic problems that should be solved with the help of the price; goal orientation and target price changes priorities at every stage of economic development.

The continuity of the process of pricing principle is in its movement from the raw material to the finished product, passing several stages, each of which has its price. Secondly, the existing prices are made additions and changes due to the removal of outdated production and development of new products. With increased competition and the development of market relations and the process becomes more dynamic.

The principle of unity is the pricing in the state regulation of prices for goods and services on the monopolists in the field of communication, transportation, gas, and others. Such control is carried out and the goods in respect of which free price regime operates. The purpose of monitoring - checking the correct application of the legislation shared by all rules and pricing principles. In case of violation of price discipline in an organization or enterprise to perpetrators imposed economic or administrative sanctions.

The correct method of setting the price, reasonable pricing, the consistent implementation of well-designed pricing strategies are essential components of the success of any business in today's market conditions.

#### **Bibliography:**

1. OO Drobotov [Electronic resource] // International correspondence eg scientific and practical conference "Economics and modern management: Problems and Solutions. " - Access: [http://sibac.info/index.php/2009-%2007-01-10-21-16 / 6754-2013-03-08-07-08-31](http://sibac.info/index.php/2009-%2007-01-10-21-16%2F6754-2013-03-08-07-08-31).
2. Semenova OV Features of pricing at the present stage [Electronic resource]. - Access: [http://pricinginfo.ru/publ/teorija/teorija\\_cenoobrazovanija / osobennosti\\_cenoobrazovanija\\_na\\_sovremennom\\_ehtape / 9-1-0-44](http://pricinginfo.ru/publ/teorija/teorija_cenoobrazovanija_osobennosti_cenoobrazovanija_na_sovremennom_ehtape/9-1-0-44).
3. Pricing in a market economy [electronic resource]. - Access: <http://bobyh.ru/referat/101/1161/1.html>.
4. Price of the modern economy [electronic resource]. - Dos Mode Tupa: <http://reftrend.ru/306545.html>.

# MODERN STATE AND TENDENCIES OF DEVELOPMENT OF POULTRY FARMING IN THE KRASNOYARSK TERRITORY

**Stanislaw M. Popov**

Magister of the Department of Economics and Agribusiness  
Krasnoyarsk State Agrarian University  
Russia, the city of Krasnoyarsk

**Denis V. Parshukov**

Research supervisor  
Cand.Econ.Sci., associate professor of Economics and Agribusiness  
Krasnoyarsk State Agrarian University  
Russia, the city of Krasnoyarsk

**Abstract:** The paper presents the results of the assessment of the current state of the poultry industry of the Krasnoyarsk territory. The tendencies of development of poultry farming. Highlights the economic state of the poultry industry in the Krasnoyarsk region. The aim of the study is to analyze the current state of the poultry industry. Revealed several problems that were limiting factors in the development of this industry and require an integrated approach to their solution.

**Key words:** poultry farming, poultry industry, poultry, production of poultry products.

The functioning of the global food market takes place in the conditions of the restrictive sanctions by foreign countries against Russia on imports of agricultural raw materials and food, including eggs and poultry. In this regard, of particular urgency is the problem of import substitution through the development of the domestic market of agricultural products, including markets eggs of poultry.

Currently the poultry industry in Russia is only in the agricultural sector, which could significantly increase production volumes. So for the last year egg production in farms of all categories increased in Russia by 1.3% (540,6 million), the increase in the Siberian Federal district amounted to 1.1% (to 69.7 million units), lower than the national average. In Krasnoyarsk Krai production was down by 5.7% and thereby dropping from 22 to 24th place in Russia by volume of production.

However, consumption of eggs over the past 25 years in the Russian Federation significantly changed. So in 1990, one citizen had 297 pieces in 2000 to 228 in 2008, 254 pieces, and in 2012 and 2013 these figures were, respectively, 276 and 269 pieces. Siberian Federal district is no exception the variation of this indicator over the 25 years is over 30% by the end of 2013 was slightly below the national average rate of 263 eggs per person per year.

Krasnoyarsk Krai is in this respect very far behind, consumption is 250 units, which is below even the recommended, so you need to focus on the development of poultry farming of the region. Currently, the Krasnoyarsk territory there are 9 medium and large poultry farms (tab. 1).

Table 1 Enterprises of the poultry industry of the Krasnoyarsk region

№	Organization	Regions
1	JSC "Poultry Barkhatovskaya" Berezovsky	Berezovsky
2	LLC "Berezovskaya Poultry farm" Berezovsky	Berezovsky
3	JSC "Vladimirovskaya" Nazarovsky	Nazarovo
4	JSC "Poultry factory "Zarya" yemelyanovsky	Yemelyanovsky
5	Kgup "Poultry farm "Yenisei" Sukhobuzimsky	Sukhobuzimskiy
6	LLC "poultry farm Albinska" Rybinsk	Rybinsk
7	JSC "Siberian province" Poultry farm "Krasnoyarsk" Berezovsky	Berezovsky
8	JSC "the Shushensky integrated poultry farm" Shushenskaya	Shushenskaya
9	LLC "poultry farm of Bogotol" Bogotol	Bogotol

Production poultry production is concentrated mainly near the city of Krasnoyarsk. Over the past year the total poultry stock in all categories of farms decreased by 21.2% and amounted to 6004,3 thousand heads. Production of the main kinds of poultry products also underwent significant change (tab. 2).

Table 2 Production of main kinds of poultry products

Indicator	2013	2014	2014 / 2013, %
-----------	------	------	----------------

Eggs, million pieces			
in all categories of farms including:	838,3	790,8	94,3
on the farms	717,8	672,5	93,7
in households	106,1	104,3	98,3
in the peasant (farm)	14,4	14,1	97,6
Poultry meat, thousand tons			
in all categories of farms	35,8	19,5	54,4
including::			
on the farms	34,0	17,4	51,3
in households	1,8	2,0	113,6
in the peasant (farm)	0,03	0,04	121,2

Most of the decline in the industry occurred in the production of poultry meat. So in the farms the volume of production decreased by 48.7%. In other categories of farms there was an increase, but the overall trend is very negative.

Poultry industry in the Krasnoyarsk region is experiencing not the best times, so you need a complete analysis of existing problems and their solution.

So the most fundamental problems of the poultry industry include:

1. full feeding poultry with the introduction in the diet of feed additives, in particular probiotics, prebiotics and Symbiotics, and improved preservation of birds, increased weight gain and feed conversion;
2. recycling, primarily of mortality of birds and dung, which is very important from an environmental point of view;
3. insufficient number of breeding farms in the area breeding meat breeds of poultry;
4. insufficient use of modern technologies of production and processing of chicken products;
5. incomplete compliance of all technical equipment of veterinary laboratories with international norms and standards.

Thus, the solution of the identified problems will allow to increase volumes of production of poultry products that will provide sustainable, advanced and competitive level of functioning on the market of poultry products.

#### References:

1. Janalieva, M. A. Economic status of poultry industry in the Novosibirsk region / Janalieva M. A., Sharafutdinov V. R. // Bulletin of Omsk state agrarian University. 2015. No. 2 (18). S. 98-101.
2. Nechaev, V. I. current state and trends of development of poultry farming in Russia / Nechayev V. I., Bershitsky Yu. I., Fetisov S. D., Slepnev, T. N. // Izvestia of Timiryazev agricultural Academy. 2014. No. 4. P. 102-111.
3. Order of the Ministry of health and social development of the Russian Federation from August 2, 2010 No. 593H "On approval of recommendations on rational norms of consumption of food products that meet modern requirements of healthy eating".

## NONAGRICULTURAL EMPLOYMENT IN COUNTRYSIDE

**Sinyaya Victotiya Valerievna**

master`s 1st of Department of organization of production,  
of management and entrepreneurship at the agricultural sector enterprises  
Krasnoyarsk state agrarian University  
Russia, Krasnoyarsk

**Ermakova Irina Nikolayevna**

scientific director  
Ph. D., associate Professor of organization of production,  
of management and entrepreneurship at the agricultural sector enterprises  
Krasnoyarsk state agrarian University  
Russia, Krasnoyarsk

**Abstract:** The modernization of agriculture has led to a decline in agricultural production. Among ways to improve the welfare of the rural population, employment and self-employment can identify nonagricultural activities.

**Key words:** rural territories, employment, nonagricultural activities, rural population.

Agriculture and rural economy has always belonged to the areas in which a significant role was given to smallholder farms, but as a result of the modernization of the rural economy there was a decline in agricultural production.

Absence of conditions for the development of alternative employment in rural areas, failing agriculture, formed historically low level of development of social and engineering infrastructure led to strengthening of social difficulties the village.

Improving the well-being of rural areas, the growth of employment and incomes of the rural population are one of the main areas of modern agricultural and social policy.

In Russia, in 2014 38 million. People live in rural areas, 2.85 times less than the number of citizens (Table 1). [3]

Table 1 - Population, mln. people

Indicators	Годы				
	2011	2012	2013	2014	2015
Population, total, mln. people	142,9	143,0	143,3	143,7	146,3
including:					
urban	105,4	105,7	106,1	106,6	108,3
agriculture	37,5	37,3	37,2	37,1	38,0

Social risks associated with increasing the attractiveness of rural areas and an increase in the difference between the quality of life in urban and rural areas, can form a serious threat to the demographic crisis in rural areas and cause a lack of workforce.

In this regard, there is need for the formation of state mechanisms to solve the problems of rural society focused on the use of local expertise for the development of non-agricultural employment, and those activities that fit into the lifestyle of the rural population.

With the adoption of the national program of agricultural development and regulation of agricultural products, raw materials and food for 2013-2020 was set problem associated with the formation of alternative (non-farm) forms of employment in rural areas. The aim of the subprogram «Support for small farms» - maintenance and further development of agricultural and non-agricultural activities of small farms and improve the quality of life in rural areas. [1]

In addition, it provides for government support in the provision of subsidies from the federal budget to compensate for the proportion of expenditure in the payment of interest on loans received in agricultural credit consumer cooperatives, for up to 5 years on the development of non-agricultural activities in rural areas.

In the world literature, non-agricultural employment is treated as employment outside their own farm (off-farm). [5] For Russia, it is defined a little differently. Alternative employment is defined as

employment of the rural population of working age non-agricultural activities with the exception of social services and the state and municipal government. [4]

In accordance with the Decree of the Ministry of Agriculture of Russia on April 13, 2010 №123 to the main areas of non-agricultural activities include rural tourism, harvesting and production of medicinal plants and other raw materials during harvesting, folk crafts, household and socio-cultural services to the population. Of course, this list does not cover all types of non-agricultural activities of small farms. These areas are considered to be the most popular.

Consider the main types of agricultural activity: [2]

1. Rural tourism - a holiday on a farm-based or infield (in the private sector). From the rental farmhouse is characterized in that the organization of accommodation, leisure, food, leisure, services takes over the host family.

2. The development of folk arts and crafts. Craft activity refers to a form of professional work for the production of goods, works and services mainly consumer goods, in small batches, individually, using special knowledge, special techniques and skills.

3. Preparation and production of medicinal plants and other raw materials during harvesting. This includes the collection of wild fruits, berries, nuts, mushrooms and other suitable for human consumption of forest resources (food forest resources), as well as non-timber forest resources.

4. Domestic and socio-cultural service of people. In rural areas effectively operates only a small part of the objects of social infrastructure, so the actual task of providing high-quality household and socio-cultural services villagers, through the development of entrepreneurship in small farms (sewing, mending, shoes, hair, repair of household appliances, electrical appliances and etc).

The emergence of formal business structures that impose a demand for labor in the rural areas of alternative activities, shows increases the demand for products or services.

But in spite of this there are problems in the implementation of non-agricultural activities:

- timeliness of preparation and inadequate regulatory and legal support;
- inadequate financial and credit support and non-coverage areas of non-agricultural activities;
- do not line infrastructure;
- lack of qualified and experience in conducting non-agricultural activities.

To increase the level of life of the rural population by expanding the scope of his employment and self-employment as well as income from the development of non-agricultural business, it is necessary to solve the following tasks:

- improving the regulatory and methodological framework in order to create non-agricultural activities in rural areas;
- development of financial and credit mechanism of support of small farms;
- training residents careers in folk arts and crafts, household and socio-cultural services and other non-agricultural occupations in demand;
- providing targeted informative, advisory, legal support for the formation of non-agricultural activities;
- the development of agricultural consumer cooperatives with new areas of activity;
- an increase in non-farm activities to increase the level of employment of the rural population.

Implementation of the proposed measures contributes to the diversification of the rural economy, thereby forming new jobs in rural areas, as well as the needs of the population in domestic services, increasing entrepreneurs' access to long-term loans, and information resources, establish and develop contacts with the major buyers of agricultural products. This will give an opportunity to reduce the level of degradation of rural areas and improve the quality and standard of living of the rural population in the Russian Federation.

### **Bibliography:**

1. The State Program «Development of agriculture and regulation of agricultural products, raw materials and food for 2013 – 2020» approved by Government Resolution dated July 14, 2012 № 717.
2. Voytyuk M.M. Guidelines on the organization of non-agricultural activities in small farms. - M.: FGBNU «Rosinformagroteh», 2011. - 88p.
3. Demographic Yearbook of Russia. 2015: Statistical Yearbook / Rosstat. - M., 2015. - 263p.
4. D.V. Zvyagintsev. Small business in Russian agriculture, its role and prospects of development: synopsis. thesis for the degree of Doctor of Economics: 08.00.05 / Zvyagintsev D.V. - Moscow, 2013. - 44p.
5. T. Titov, O. Schick. Alternative employment in rural Russia - M. : IET, 2008. - 224p.

# ECONOMY AND QUALITY MANAGEMENT

**Tolstova E. Aleksandrovna**

3th year student of the Department of Economics  
Achinsk branch of the Krasnoyarsk State Agrarian University  
Russia, the city of Achinsk

**Slepcev V. Viktorovich**

senior Lecturer, Department of Economics  
Achinsk branch of the Krasnoyarsk State Agrarian University  
Russia, the city of Achinsk

**Abstract:** In this article, the topic of the quality of the products and services provided. Are factors hindering the solution of quality problems at the plant. Presented as the quality of management and services.

**Keywords:** products, services, quality, management

One of the most important factors in the growth of production efficiency is to improve the quality of the product or service provided. Improving the quality of products is regarded now as a crucial condition for its competitiveness in the domestic and foreign markets. The competitiveness of products in many ways determines the prestige of the country and is a decisive factor in the growth of its national wealth. Product quality is among the most important criteria of enterprise functioning in a relatively saturated market, and the prevailing price competition. Raising the technical level and quality of production determines the pace of scientific and technological progress and the growth of production efficiency as a whole, has a significant impact on the competitiveness of domestic goods and the standard of living of the population.

Quality of products can rightly be attributed to the most important criteria of any enterprise. It is improving the quality of the product determines the degree of company survival in market conditions, increased production efficiency, saving all types of resources used in the enterprise.

In discussing the problem of quality in the company, is a set of constraints to solve these problems: it is the quality of the design and level of technology, and the quality of purchased products and materials, salaries and qualifications of employees, working conditions, etc. Now, with the development of management science, it can be said that to ensure the quality required:

- base material (purchased parts and materials, manufacturing and testing equipment, buildings, transport, etc.);
- qualified personnel interested in good work (human factor);
- well thought-out organization and clear management of the enterprise as a whole and the quality of management in particular.

Active qualified personnel and material resources define the necessary basis for the production of high-quality products.

The organization and management of the enterprise complements the foundation and allows to realize the opportunities that are created by the material base and the human factor.

The main factors, which should start quality solution to the problem is the human factor, and in it - the interest of workers in improving the quality of products. This is explained primarily by the fact that a disinterested employee will not work well even on a beautiful equipment and will be interested to look for, find and use all opportunities to achieve a high quality product.

Under the quality management should understand the impact on the production process in order to ensure the required quality of products.

Such an understanding of management consists of three elements: the subject of management (who acts), the control object (in that the direction of the impact) and the impact of the process itself.

By using a process approach in the management of the enterprise, the following features: transactions, decision making, planning, organizing, staffing, order, control, communication, research and others.

By analogy with these features, the quality control process of logical to begin with the interaction with the external environment, particularly, with customers and sales markets, whereby provider determines the required properties and characteristics (quality) of its products. Based on these requirements, the supplier analyzes its technological options and determines the quality policy. As well as the requirements to their subcontractors - suppliers of materials. On the basis of this policy is carried out quality planning.

Then, within the framework of the common organization of work in the enterprise is organized work to achieve the required quality in the process of production with the necessary resources, carried out training and motivation of staff. Then, directly in the management of the production process, quality control is carried out and the information obtained is analyzed. According to the results obtained by data analysis develop appropriate measures, and the company's management takes the necessary decisions.

The final stage in quality management - the implementation of measures.

As a rule, these measures are aimed at addressing the identified deviations from planned properties and characteristics of the product and improving the production process. They may also be aimed at the adjustment of previous plans, changes in the organization of work, improving training and improving staff motivation, as well as a choice of more qualified suppliers.

After the implementation of measures products can be delivered to the customer or to the market, and quality management cycle ends performing the same function, with which it began - the interaction with the external environment. After that, the supplier receives information from the market or the customer on the quality of the delivered products.

Thus, the concept of quality management is a continuous process of interaction on the production by the consistent implementation of logically related functions to ensure quality.

The principle of the quality of service is the same as the principle of the product quality, and is the basis of the same factors: base material, personnel, organization works.

Nevertheless, the principles of quality management and services demand clarifications related to the management and maintenance of their quality characteristics.

The main feature is that the provision of quality services is carried out at a close interaction with the consumer. In this regard, additional elements need to be considered related to the human factor and the organization of work:

- culture of dialogue with consumers;
- availability of personnel service organization for customers;
- flexible forms and efficiency of service delivery;
- hygiene, safety, comfort and aesthetics of the place of service.

Development of events is based on the analysis of information and usually includes:

- corrective measures aimed at removing inconsistencies committed;
- preventive measures - to address the causes of discrepancies committed to prevent their recurrence;
- preventive measures designed to eliminate the causes of potential nonconformities and prevent their occurrence.

In accordance with the principles of quality assurance preventive or prophylactic measures may be aimed at improving the material base, the intensification of the human factor and improved governance.

In addition to measures to eliminate and prevent inconsistencies, the company must develop measures to continually improve the quality of products in line with market developments and competition needs.

In a market economy in the enterprise constantly is the problem of ensuring the competitiveness of products, the solution of which depends on their successful activities directly.

The basis of competitiveness is the desired level of product quality, to achieve that requires the corresponding material base, qualified and motivated staff and efficient organization of work on quality management.

In order to encourage enterprises to improve the quality of products and services in a number of countries, including Russia, have established national Quality Award. The role of the premium is not only to celebrate the best of the enterprise, but also to pull the medium through their self-assessment according to the criteria of awards followed by the adoption of measures to improve the quality of products and services.

Of decisive importance in the organization of work on quality is the position of heads of enterprises, their attitude towards the quality of products and services.

### **Bibliography:**

1. Basovskii LE, Protasov VB Quality Management: textbook. - M.: INFRA-M, 2012. - 212c.
2. Goncharov AA, Kopylov VD Metrology, standardization and certification. - M.: INFRA-M, 2014. - 240s.
3. Krylov GD Fundamentals of standardization, certification, metrology. - M.: INFRA-M, 2014. - 671s.



4. Gerasimov BI, Zlobin NV Spiridonov SP Quality Management: Textbook. allowance. - KnoRus, 2014. - 245s.
5. Buzov BA Quality Management. The technical regulation, standardization and certification. - Higher Professional Education, 2013. - 176s.

# THE TRANSPORT TAX IN THE REGIONAL LEVIES OF KRASNOYARSK REGION

**Ulibin Maksim Viktorovich**

3rd year student of the Department of Economics  
Achinsk branch of Krasnoyarsk state agrarian University  
Russia, Achinsk

**Cuglenok O. M.**

supervisor senior lecturer, Department of Economics  
Achinsk branch of Krasnoyarsk state agrarian University  
Russia, Achinsk

**Abstract:** the Transport tax is a regional, enforced by laws of subjects of the Russian Federation on taxes and obligatory to payment in territory of the corresponding subject of the Russian Federation. All the money they make to the budgets of subjects of the Russian Federation.

**Keywords:** Regional tax, the transport tax, tax code, vehicle, benefits.

Vehicle tax in 2016 will affect the ambitious plans of the Government of the Russian Federation – from increasing until canceled. Although, total elimination of the mandatory payment of the question is merely replaced with a more loyal type of collection.

The tax system in Russia includes a great number of taxes at various levels. According to the Tax code of the Russian Federation has a three-tier tax system which comprises Federal, state and local taxes.

Transport tax is a regional tax. This means that its accounting, calculation and payment should control it is the local legislature. The objects of taxation taxes are self-propelled machines and mechanisms.

The predecessor of this tax was the road tax, which had a strictly specific purpose and was used to repair and upgrade highways. Since 2003, the Russian subjects have the right to use the income from this tax for other purposes. Today it is known that the receipts of the transport tax did not compensate for the costs of maintenance and repair of the road network in accordance with the degree of exposure to vehicles.

In order to calculate the transport tax in 2016, it must be remembered that the rate of the tax in each region is set by local legislative acts. The rate in cities can not exceed the total rate for the country more than 10 times, according to the Tax code of the Russian Federation. The only exception to these rules are the drivers, the brake horsepower of which is less than 150 HP

Figure 1 – Rates of vehicle tax for cars

Rates used for the calculation of the transport tax in the Krasnoyarsk territory on cars range from 5 to 102 rubles per 1 HP, depending on the size of the vehicle (figure 1). For example car with power from 250 HP will cost the car owner to 25,500 rubles, while in neighboring Tomsk region for the same machine will need to pay 18 750 rubles a year. On average, rates for transport tax in the Krasnoyarsk region exceeds the limits in 5 time, but particular modes of transport such as trucks with a capacity of over 250 HP – 10 times. The researchers note that in all the high-profile fatal crash victims were in low-powered runabouts. The transport tax in turn introduces the discrimination of the most safe cars with higher power.

Guided by Federal legislation, transport tax is not payable with the following TS:

1. Wheelchair cars that are manually operated, with an engine under 100 HP Cars should be obtained with the assistance of bodies of social protection.

2. Vehicle of the Ministry of defense of Russia, bodies of internal Affairs, fire emergency services and facilities of the penitentiary system.

3. Cars that are wanted. The owner of such vehicle is necessary to provide a document indicating the vehicle is in the wanted list, the office of tax inspection. The document is available in the police Department.

In most regions of Russia exempts from tax the following categories of citizens:

- Heroes Of Russia;
- Heroes Of The Soviet Union;
- Knights Of The Order Of Glory;
- Drivers with a car with engine capacity of less than 70 HP;
- Enterprises engaged in passenger transport.

Pensioners can also get benefits. But in each constituent entity of the Russian Federation has its own policy on this, and not in each Russian region the elderly are exempt. For more details you must contact your local tax office.

The procedure, rates and terms of payment of the transport tax in the Krasnoyarsk region in 2016 established by the Law of Krasnoyarsk region dated 08.11.2007 N 3-676 "About transport tax" (mutatis mutandis, applicable in 2016). It applies to all cities of the region. Administrative center – Krasnoyarsk. Major cities of the region: Achinsk, Zheleznogorsk, Zelenogorsk, Kansk, Lesosibirsk, Minusinsk, Nazarovo, Norilsk

2016 has changed the deadline for payment of the transport tax for individuals is now tax must be paid before December (before the deadline for payment was set up on 1 October).

There remains the question of the abolition of the vehicle tax in order to avoid double tax burden amid rising excise taxes included in the price of the final product. Abolition of the vehicle tax in 2016 has not taken place, but the idea of tax reform is still alive and remains on the agenda of the Government and the state Duma. Therefore, the possibility that one way or another road user charge will be canceled after all in 2016, remains. The main dispute at the moment is about whether to reform the Tax code without compromising the budget. Until recently, a clear answer to this question, the Government could not give. But it seems that the growth of the protest movement associated with the input system "Plato", all prompted the Kremlin to reform the industry. News about cancellation of the transport tax 2016 again resounded with a new force, but now the reform was referred to as an attempt to appease the truckers.

#### **References:**

1. Tax code of the Russian Federation (part 2)
2. Transport tax // Federal tax service.-[electronic resource] – access mode.- URL: <http://www.nalog.ru/rn24/copyright/> (accessed on 16.03.2015).
3. Babichev V. A. Transport tax: problems and solutions //Scientific and practical journal "Economics and management of innovation technologies".- 2014. - №4. [electronic resource] – access Mode. – URL: <http://ekonomika.snauka.ru/2014/04/5039> (11.10.2014)

## FEATURES OF PRICING AT THE PRESENT STAGE

**Chernilevskaya Christina Dmitriyevna**

student 4 courses of department of economy  
Achinsk branch of Krasnoyarsk state agricultural university  
Russia, Achinsk

**Sleptcov Vadim Viktorovich**

research supervisor  
Cand.Econ.Sci., associate professor of economy  
Achinsk branch of Krasnoyarsk state agricultural university  
Russia, Achinsk

**Summary:** In article pricing, tasks, functions of the price and pricing factors is considered.

**Keywords:** Pricing, price policy, price, price strategy.

The price of goods is an essential element of the economic mechanism of modern economic systems. its role is growing immeasurably in the conditions of market economy. Unjustified use of the price mechanism, or rejection of the price control in the hope of his spontaneous action turned around more or less negative consequences in the development of social production in many countries on various stages of their development. However, no country in the world in modern conditions the error in pricing, particularly in pricing, has not provided such a devastating impact on the economy, both in Russia since 1992

Instead, set goals to accelerate economic and social development, the growth rate of production and on this basis to improve the competitiveness of the product was obtained by reduction of about 2 times the volume of production, decline in its intensity and a sharp deterioration in the quality of life for the majority of citizens. In this regard, the development of the mechanism of change and the regulation of prices in the new environment is of vital importance for the country.

The difficulty lies in the fact that in our country the world experience in the field of pricing poorly mastered and applied insufficiently qualified.

Moreover, post-socialist economy of Russia is a unique phenomenon, which has no analogues in other countries that have passed a long evolutionary path of development of the market economy. All this requires further study and development of the theory of prices, their impact on the development of production and, in particular, its intensification, the development of specific measures to improve pricing conditions prevailing in Russia.

Today, therefore, the success of any enterprise depends on the choice of strategies and methods of pricing, pricing methods, proper goal setting. Therefore, development of pricing strategy and pricing method should be given the most attention on the part of the company's management, who wants the most effective and long-term to develop their activities in the market.

Interpretation of prices as an economic category of the more accurate, the more precisely defined tasks, functions and prices of price-determining factors in the present economic conditions.

The basic list of pricing problems, as shown by the economic practice is common to any modern state, but it varies depending on the types and stages of economic development.

The basic pricing is considered to be the following tasks:

- 1 Coverage of expenses for production and ensure profits sufficient for normal functioning of the producer;
- 2 Accounting for interchangeability of products in the formation of prices;
- 3 The solution of social problems;
- 4 The implementation of environmental policy;
- 5 The decision of foreign policy issues.

Coverage of expenses for production and ensuring profits - demand Seller manufacturer and facilitator. The more favorable market conditions for the producer, that is, the a higher price it can sell their products, the more profit it receives.

The second problem - the account of the interchangeability of products - it is a basic requirement of the consumer. He does not care what the cost of manufacturing the product. If the same product is offered on the market at different prices, the consumer, of course, prefer the one that is offered at a lower price. If at the same price offered higher quality and lower quality product, the consumer will prefer the product is higher quality.

Other tasks (the third to fifth) have arisen at the present stage of pricing, they are particularly important to address as we move from an undeveloped market, spontaneous regulated market.

In a developed market economy conditions, the balance is achieved not so much by a natural regulator as through government policies designed to express national interests.

Pricing factors - these are the conditions in which the formed structure and level of prices. All kinds and types of pricing factors, as shown by the economic practice can be divided into three main groups:

- 1 Base (momentary,);
- 2 Opportunistic;
- 3 Control-related public policy.

Basic (momentary,) factors determine the relatively high stability of pricing. The action of this group of factors is different in different types of markets. Thus, in the commodity market conditions a momentary factors deemed operational, expensive, cost, as the movement of prices under the influence of these factors only unidirectional motion with costs.

The action is due to market factors and the volatility of the market depends on the policy environment, the influence of fashion, consumer preferences, etc.

Regulatory factors appear more obvious, the more active state intervention in the economy. Price restrictions by the state may be advisory or administrative nature hard.

As the market develops growing saturation of its products and services, the role of market factors. Currently, there are types of markets and group benefits (for example, land and securities) for which only circumstantial factors apply. They are evaluated indirectly through comparison with the value of fungible goods.

In modern economy rates mediate all stages of production, presenting thus a single price system. Subordination of social reproduction is the basis of the internal stages of the relationship of prices within a single system.

The price system - a unified, ordered set of different types of price, service and regulating economic relations of market participants.

Changes in the level, the structure of one species causes a change in the prices of other kinds of prices that is caused by interconnection elements of the market mechanism and market participants. Each unit prices and the price of each individual, as part of the price system, shall be strictly defined economic burden. In today's environment, there are different pricing system of prices, which are formed depending on the characteristics and scale of modern service markets.

There are different kinds of prices and price groups for the service sector of the national economy, as well as on the severity of their regulation by the state.

For example, to the group for the field of the national economy service prices include such a category as tariffs - the price of a special kind of products - services. Feature services lies in the fact that it has no particular material form. In this regard, the buyer at the time of purchase of services is not possible to create a complete picture of its quality. Buyer judges the purchased service Information about the seller service. In providing services to the production time, usually coincides with the moment of consumption, that is, there is no need for an intermediary. This causes particular assessment services and explains the presence of the concept of "fees for services", although correct to use the term "prices for services."

Depending on the service sector distinguish wholesale rates (rates of freight transport, communications and other services for legal entities) and retail, ie, tariffs on services for the population.

The group in the degree of state regulation of price rigidity distinguishes the market price (free) and adjustable.

Prices of market (free) - this is the price, free from direct government intervention price. However, they are not free from the effects of other instruments, not directly affect the level and pricing structure. Thus, the price development is dependent on the income tax. Progressive income tax rates make unprofitable for the seller to higher prices, but these prices are correct to call the free market or as a direct limit on them is not. At the same time, as evidenced by the world practice free pricing scale inversely proportional to the degree of state intervention in the general economy.

Prices regulated - a price change which is allowed within certain limits and for a specific procedure, established by the state. In a market economy the prices of this type are quite common and are set for products and services that traditionally are the subject of increased state control (leading raw materials, fuel, mainline transport, communications, products of high social value, etc.).

Ultimately, the price of the goods is established taking into account the socio - economic, organizational - technical and other factors. The maximum price is determined by demand, and the minimum - cost. This is a common, simple, but fairly widespread sense approach to pricing. The level of prices, profitable one or the other side, is formed only in a competitive environment. Such compromise

prices, first, consider the interests of both sides, and secondly, the market conditions. These are the market (equilibrium) prices are the basis for the formation of other prices for similar goods.

In a free pricing the price is not constrained by external limiters. No one is appointed, and is formed as a result of trade, on the basis of mutual agreement between the seller and the buyer, as a result of supply and demand interaction.

The market (equilibrium) price includes an assessment of the goods on the basis of demand, supply, cost, usefulness, forming it into a unified price. Thus, at market prices is reflected in the cost of production, and its exchange rate relative to other goods, and consumers' quality. In short, commercial pricing to the greatest extent provides an equivalent exchange of goods, resources, products of economic activity.

**Bibliography:**

1. Lipsits IV Pricing (pricing management in the organization) - M.: Ekonomist, 2005. - 448 p.
2. Gerasimenko VV pricing. - M.: INFA-M, 2005. - 422 p.
3. Slepov VA et al. Finance and Prices. - M.: Publishing House FBK-PRESS, 1999. - 383s.
4. <http://referats.allbest.ru/economy/9000057600.html>
5. <http://www.wiseowl.ru/showwork/147>

# *Section 2*

## **Innovative approaches in modern management**

### **ACCOUNTING OF FIXED ASSETS ON THE EXAMPLE CJSC "SVETLANOVSKOE" NOVOSELOVSKY DISTRICT**

#### **Agarkova Yulia**

The student of 3rd course of Economics  
profile Accounting, analysis and audit  
Federal state budgetary institution  
"Krasnoyarsk state agrarian University"  
Russia, Krasnoyarsk

#### **Borodina T. A.**

candidate of economic Sciences., associate Professor  
The Department of accounting and statistics  
Federal state budgetary institution  
"Krasnoyarsk state agrarian University"  
Russia, Krasnoyarsk

**Abstract:** The article deals with questions of accounting of fixed assets in the enterprise.

**Key words:** accounting, fixed assets, enterprise.

Each enterprise has fixed assets. At the same time this site of the account is rather difficult as the accountant is obliged to organize the accounting of fixed assets in systems of financial, management and tax accounting, each of which has the legislative base. The software products automating accounting allow to simplify work of the accountant. Base of research is CJSC Svetloobovskoye of Novosyolovskiy district. In active part the big share is occupied by cars and the equipment that is explained by specifics of the enterprise. Analyzing the movement and a condition of fixed assets of CJSC Svetloobovskoye we will note that updating of fixed assets is observed, at the same time process of updating advances leaving of OS (table 1).

Table 1 - Structure and structure of fixed assets of CJSC Svetloobovskoye of thousand rubles.

As the mechanism for creation of such environment internal corporate networks and the websites can serve.

The organization of the accounting of fixed assets in CJSC Svetloobovskoye in general corresponds to the legislation. Analytical and synthetic account of fixed assets is kept according to requirements imposed to it. Depreciation of fixed assets in closed joint stock company is charged in the linear way. For the organization of primary accounting of fixed assets in economy it is used standard documents, according to the law which is formed in the program 1C "Accounts department".

For the synthetic accounting of fixed assets at the enterprise balance accounts 01 "Fixed assets", 08 of "An investment in non-current assets", 91 "The other income and expenses" are used.

For the accounting of costs of acquisition or a construction of fixed assets in the organization account 08 "Investments in non-current assets" which is intended for synthesis of information on expenses of the organization in objects which will be accepted to accounting as fixed assets, the land plots and objects of environmental management subsequently, and also about expenses of the organization for formation of the main herd of productive and working cattle is used. The account is active. On the debit receipt of non-current assets, on the credit – leaving is reflected. To the account in economy the following sub-accounts are open:

- 08-03 "Construction of facilities of fixed assets";
- 08-04 "Acquisition of objects of fixed assets";
- 08-05 "Acquisition of non-material objects";
- 08-06 "The translation of young growth live in the main herd";

08-07 "Acquisition of adult animals".)

The expenses connected on purchase and creation of fixed assets are reflected according to primary documents and collect from a way of revenues to the synthetic account.

Gaudas Otcclone-niye's indicator +,-) Growth rate, %

To the account fixed assets are accepted at initial cost. The accounting of fixed assets in CJSC Svetlolobovskoye "Fixed assets" are conducted on account 01, the account is active. On the debit write down the initial cost of the arrived fixed assets and their revaluation, and on the credit leaving of fixed assets and their markdown. In the organization to account 01 the following sub-accounts are open:

01-01 "Fixed assets in the organization";

01-01\*2 "Cattle working and productive";

01-09 "Leaving of fixed assets").

The register of the synthetic accounting of fixed assets are forms of the reports made in the program 1C "Accounts department": "Oborotno - the balance sheet" on account 01 "Fixed assets" and on account 02 "Depreciation of fixed assets", cards on account 08 - "Investments in non-current assets", the magazine – the warrant on account 91 – "The other income and expenses".

Analytical account of fixed assets in economy is kept on classification groups

1. To destination and scope of application:

- fixed production assets;
- fixed non-productive assets.

2. On extent of use:

- the fixed assets which are in operation;
- the fixed assets which are in a reserve;
- the completions which are in a stage, reconstruction, partial elimination;
- being on preservation.

3. Depending on the available rights for property.

- the objects belonging to the enterprise on the property rights;
- the objects which are in operational management or economic maintaining;
- the objects received for rent.

4. On natural material structure:

- buildings;
- constructions;
- transfer devices;
- cars and equipment;
- vehicles.)

The register of the analytical account is the inventory card.

The accounting of leaving of fixed assets is reflected in sub-account 01.09 "Leaving of fixed assets" on which the residual cost reflected in account 91 "Other income and expenses" is formed. The account actively – passive. On the debit write-off residual the cost and expenses connected with leaving, and on the credit - proceeds from sales of fixed assets, cost of the credited values is reflected).

For charge of depreciation in economy the 02nd account "Depreciation of fixed assets", the account passive is used, the balance credit reflects the depreciation sum. On the debit of the account depreciation write-off is reflected, the charge sum is determined by the credit. Annual depreciation at the enterprise is determined by a formula:

$And = Fb / Tsl$

where, Fb — the book value of fixed assets;

$$a = \frac{Ar}{Kcr} \times 100\%$$

Tsl — their total period of service.

where, and - the established amount of annual depreciation charges from the cost of fixed assets on formation of a sinking fund as a percentage;

Ar - annual depreciation charges;

Kcr - average annual book value.

Depreciation charges in the organization don't charge on: to residential buildings, hostels, apartments; to objects of external improvement). At the same time the annual sum of depreciation charges is defined (PBU 6/01 point 19) at a linear way proceeding from initial cost or (the current (recovery) cost (in case of carrying out revaluation) object of fixed assets and norm of the depreciation estimated proceeding from useful service of this object.



For ensuring reliability of data of accounting and the reporting, inventory of fixed assets is carried out every year. As a result of carrying out inventory of violations it isn't revealed.

The schedule of document flow has been developed for improvement of accounting in CJSC Svetlolobovskoye. At the enterprise document flow which provides optimum number of divisions and performers for passing of each primary document and the minimum term of his stay in division is optimized, and also the schedule promotes improvement of registration work at the enterprise, to strengthening of control function of accounting, increase of level of automation of works.

**List of references:**

1. Titova E.V. A problem of management of risk in modern conditions (article)//Problems of development of agrarian and industrial complex of Sayano-Altai: materials interregional scientific and practical conference – Abakan, 2010. - page 65-67
2. Pyzhikova N. I., Titova E.V., Malines E.A. Control system of risks of innovative activity of the enterprises of agro-industrial complex//science Era. 2015.
3. Pyzhikova N. I., Titova E.V. Complex task of the organization of effective business process//Achievements of modern science. – January, 2016.
4. Pyzhikova N. I., Titova E.V. Methodical recommendations about formation of the priority purposes of the enterprise of agrarian and industrial complex//Economy and business. – 2016.

# THE ACCOUNTING OF CALCULATIONS WITH PERSONNEL FOR COMPENSATION AND OFF-BUDGET FUNDS IN LLC POBEDA OF THE PIROVSKY AREA

**Asmalovskaya D.**

The student of 3rd course of Economics  
profile Accounting, analysis and audit  
Federal state budgetary institution  
"Krasnoyarsk state agrarian University"

**Borodina T. A.**

candidate of economic Sciences., associate Professor  
The Department of accounting and statistics  
Federal state budgetary institution  
"Krasnoyarsk state agrarian University"

**Abstract:** The article discusses issues related to the accounting of settlements with staff on pay and extrabudgetary funds.

**Key words:** accounting, staff, wages

Important site of accounting in LLC Pobeda is the accounting of calculations with personnel for compensation. Account in general at the enterprise is kept according to accounting policies, working book of accounts, the sheet of the accounting of working hours. In the organization there is no provision on compensation that is a shortcoming. As, the provision on compensation is of great importance for the taxation, is documentary confirmation of justification of the expenses on compensation made by the organization. In LLC Pobeda carry the workers occupied on constant to a manpower seasonal and temporary (more than one day) work. Sufficient security of the enterprise with the necessary manpower, their rational use are of great importance for increase in volume of realization of services, profit and some other economic indicators, and also for increase of efficiency of economic activity of the enterprise. The comprehensive analysis of a manpower of the enterprise is guarantee of identification of the hidden economic reserves.

In LLC Pobeda time and price-work forms of compensation are used in practice of the enterprise. The price-work salary pays off on the basis of quantity of the made production and a quotation per unit of output. The time salary pays, proceeding from a tariff rate for hour of work or a salary for the worked time considered by the sheet. It is applied when calculating a salary of employees, experts and heads. Distinguish simple time, time and bonus forms of payment.

Calculation of temporary disability benefit. It is a special type of payment of not worked time. His source is not prime cost, as for all previous types of payments of not worked time, and means of bodies of social insurance. The basis for calculation of the sums for payment is the sheet of the accounting of use of working hours and a leaf about temporary disability of medical (medical) institution.

The sum of the added salary isn't handed out to the worker entirely. Previously from her various deductions and deduction are made. In this regard the accounts department of the enterprise makes calculation and transfer to destination all deduction and deductions.

In LLC Pobeda all financial and economic activities including charge of a salary, are documentary issued and proved. The list of primary documents according to the accounting of use of working hours and calculations with personnel for compensation and forms of these documents are approved by the resolution of Goskomstat of the Russian Federation from 05.01.04g. No. 1.

At the end of every month the accountant on a salary does charge of a salary to workers then forms the operation "Closing of Month" which automatically accrues taxes on the salary fund and distributes them on the corresponding accounts of accounting.

In general primary account at the enterprise conforms to requirements of regulations for accounting, however shortcomings take place:

1) not all lines and columns provided by forms of documents are filled (for example, the waybill of the car). It can result in lack of full information on economic operations that will lead to distortions of data at their account.

2) not procherknuta empty lines and columns owing to what in such documents the records distorting essence of operation can be made (for example, the pay-sheet, the pay-sheet).

At the LLC Pobeda enterprise account of calculations with personnel for compensation is kept in a journal and order form of the account with use of the computer equipment, account is kept with use of the accounting program "1 C: Accounts department 7.7 Simplified system of the taxation".

Analytical account of calculations for compensation in LLC Pobeda is kept in settlement and pay-sheets, personal accounts and tax cards of the worker.

On the title page the total amount of the paid and deposited salary is specified. In need of the column "Note" number of the shown document is specified. After three days the cashier against a surname not received a salary writes by hand "Is deposited". The pay-sheet is closed by two sums: it is handed out and deposited. For the deposited sums the cashier makes the register of not given salary, hands over him in accounts department for check and an extract of the account cash warrant. The cashier hands over the deposited sum in bank where she is stored and considered separately as workers can demand them in any day.

Account of calculations with personnel for compensation in LLC Pobeda is kept on synthetic account 70 "Calculations with personnel on compensation". The account is active and passive. Charge of a salary and other types of payments is reflected on account 70 credit. On the debit of this account their payment, and also the sums of the accrued taxes, payments by all types of executive documents and other deduction are shown. The balance for the end of month characterizes the sum of the debt which has remained behind the enterprise for a salary to workers. The register of account 70 "Calculations with personnel on compensation" is the card on this account. The card is the calculation combined by the register of the analytical and synthetic account with workers on compensation.

According to hl. 23 II parts of the Tax Code of the Russian Federation from 8/5/2000 No. 117-FZ it is accepted by the State Duma of Federal Assembly of the Russian Federation 7/19/2000 (the current version from 4/5/2013), from the added salary of workers in the organization deduction of a tax on the income of natural persons of 13% are made.

The salary in LLC Pobeda is given in the terms established by regulations. These dates are specified in the cash applications provided to bank. For the first half of month issue advance payment of the 21st day of the current month. The advance payment is paid of 40% of the actual earnings for last month. The salary for the second half of month is given from the 6th day of the next month. If day of salary payment falls on day off or the holiday, then the salary is paid the day before. The advance payment and a salary for the second half of month are given within 3 days, including day of receiving money in bank. So, if money is received on Monday, then on Wednesday the sum of an uncollected salary has to be handed over in bank.

At cash disbursement of money from cash desk the enterprise is guided by the special Indication of March 11, 2014 No. 3210-U about an order of conducting cash operations by legal entities and the simplified order of conducting cash operations by individual entrepreneurs and small business entities.

The accounting of calculations with off-budget funds at the enterprise is carried out on account 69 "Calculations for social insurance and providing". Account 69 is passive as charge of taxes (collecting) is shown on the credit, and calculations (transfers in funds and the budget) - on the debit. The credit balance testifies to a debt of the enterprise to the budget and funds, the debtor balance speaks about their overpayment. In 2013 at the enterprise the overpayment of taxes in off-budget funds has been revealed – the debtor balance in the sum of 11,011.42 thousand rubles on the 69th account testifies to it. In the organization to account 69 the following sub-accounts are open:

- 69.11 – Calculations for obligatory insurance upon industrial accidents and occupational diseases.
- 69.21 – Calculations with Pension Fund of the Russian Federation (insurance part of work pension).
- 69.22 – Calculations with Pension Fund of the Russian Federation (a funded part of work pension).
- 69.31 – Insurance premiums in the Social Insurance Fund.
- 69.41 – Insurance premiums in FFOMS.
- 69.42 – Insurance premiums in TFOMS.

During research the following remarks to working book of accounts of the organization have been revealed:

1. Calculations with Pension Fund of the Russian Federation (a funded part of work pension) have lost the force.
2. Insurance premiums in TFOMS since 2012 – aren't used.

The accountant on a salary on the basis of these settlement pay-sheets every month during the whole year fills an individual card of the worker according to the accounting of the sums of the added payments and other remunerations. Are brought by the accruing result in this card:

- sums of monthly charges (all);
- the payments which aren't referred to the expenses reducing tax base;
- the payments which aren't assessed in the Social Insurance Fund.

In the end of the year the accountant forms a summary card on all enterprise for analytics of tax accounting in a year.

On a salary of workers and employees it is made in a certain percent of assignment for social insurance. Due to these assignments workers receive payment about temporary disability and other payments. All operations on calculations with bodies of social insurance consider on sub-account 1 "Calculations for voluntary social insurance on a case of temporary disability". On the credit of this sub-account write down the sums added to bodies of social insurance. On the debit consider transfer of debt to bodies of social insurance, and also the added sums of payments for leaves of disability and the other payments provided by the legislation at the expense of means of social insurance.

In LLC Pobeda in addition to these sub-accounts account 69.11 "Calculations for obligatory social insurance from industrial accidents and occupational diseases is opened. Tax base of taxpayers is defined as the sum of the payments and other remunerations added by employers for the tax period in favor of workers.

In registers of a journal and order form of the account calculations with bodies of social insurance consider in the magazine warrant No. 10/2-APK. Here on account 69 the sums of turns in a section of the corresponding accounts are systematized. On the credit of the account write down the sums added in favor of bodies of social insurance with division them on the corresponding accounts, that is on objects of the accounting of expenses where expenses on social insurance of workers are carried. Monthly credit turn in general and on the corresponding accounts is transferred to the ledger.

The analytical account on account 69 "Calculations for social insurance and providing" is kept in a section of each type of calculations.

During research of the organization of accounting of calculations with personnel for compensation in LLC Pobeda of Pirovsky district the following shortcomings have been revealed:

- Not always in documents lines and columns which are provided by forms of documents are filled. It can result in lack of full information on economic operations that will lead to distortion of data at their account.

- Level of the accounting policies applied at the enterprise is characterized as unsatisfactory. Changes in the legislation aren't reflected in her.

- In working book of accounts of accounting the organization uses outdated sub-accounts.

- In the analyzed enterprise there is no schedule of document flow. Primary documents arrive with delay.

- Accounting in LLC Pobeda is kept in the outdated program 1C: Accounts department 7.7 Simplified system of the taxation.

#### **List of references:**

1. Titova E.V. A problem of management of risk in modern conditions (article)//Problems of development of agrarian and industrial complex of Sayano-Altai: materials interregional scientific and practical conference – Abakan, 2010. - page 65-67
2. Pyzhikova N. I., Titova E.V., Malines E.A. Control system of risks of innovative activity of the enterprises of agro-industrial complex//science Era. 2015.
3. Pyzhikova N. I., Titova E.V. Complex task of the organization of effective business process//Achievements of modern science. – January, 2016.
4. Pyzhikova N. I., Titova E.V. Methodical recommendations about formation of the priority purposes of the enterprise of agrarian and industrial complex//Economy and business. – 2016.

# MARKETING INNOVATIONS IN THE SPHERE OF TRAVEL BUSINESS

**Blakhtin Vladislav**

the student of 4 course Management  
Federal budgetary establishment  
higher education "Krasnoyarsk state  
agrarian University"  
Achinsk branch

**Titova E. V.**

candidate of economic Sciences, associate Professor,  
Federal state budgetary educational institution of higher professional education "Krasnoyarsk state  
agrarian university",  
Achinsk branch

**Abstract:** In article topical issues of development of innovations in the sphere of travel business are considered

**Keywords:** Marketing, innovation, business, business.

At the moment the most diverse range of various products which are results of activity of many spheres of business is provided to consumers. At broad abundance of offers, the consumer asks himself only one question: "How and where it is possible to get this or that product?". To the producer, it is much more important to know how it is more effective to convey information on the product of his target audience.

As object of marketing innovations the tourist sphere of business is chosen.

The number of the enterprises in the sphere of travel business constantly increases and travel agencies should introduce in the activity the latest administrative technologies, production technologies as innovations promote development of competitive advantages before other companies.

Mean by innovations and innovative activity the directions of scientific and technical progress and the process connected with introduction of results of scientific researches and developments in practice [1, page 15]. The sphere of innovations is comprehensive, it not only covers practical use of scientific and technical developments and inventions, but also includes changes in a product, processes, marketing, the organization.

The Austrian economist, the political scientist and the sociologist Josef Schumpeter spoke about innovations, as about essential change of function made which consists in considerably new connection and commercialization of all combinations based on use of new materials, introduction of new processes, opening of the new markets и.т.д. Schumpeter meant by innovations new the phenomenon in the market which set the task to carry away the consumer and at the same time to bring in the income to the businessman.

At the moment, the tourist sphere develops innovative activities for the following directions:

1 Travel agencies try to enter the innovations connected with development of the enterprise and travel business in system and structure of management including:

- a) reorganization;
- b) absorption of the competing subjects on the basis of new equipment and advanced technologies;
- c) development of personnel policy (updating of structure of shots, systems of professional development, retraining of personnel);
- d) development of rational economic and financial activity (introduction of the modern forms of the reporting providing stability of the enterprise).

2 Travel agencies enter marketing innovations which allow to cover needs of target consumers or to attract the clients who aren't captured for this period of time.

3 Travel agencies enter the periodic innovations directed to change of consumer properties of production, her positioning.

Innovations in travel business are very difficult process which demands involvement of the third-party organizations, adjacent fields of activity. Organizational innovations - internal process, certainly, important influencing the final product of activity of the enterprise and capable to become powerful competitive advantage of travel agency. But neither grocery, nor organizational innovations can be

available to all tourist enterprises. Unlike tour operators, primary activity of travel agencies consists in sale of a ready-made product. At the same time the number of travel agencies are much higher than number of tour operators. Therefore, the level of the competition and need for development and deployment of innovative marketing approaches are very high.

The analysis of the market, demand studying, advertizing and other marketing activity, until recently, demanded high financial expenses and were available only to the large enterprises possessing the corresponding material and technical resources. However, with current development of the Internet, costs of marketing considerably decrease, appear new ways of the analysis of the market and demand, types of advertizing and trade. At the moment, the vast majority of travel agencies have own websites, the Internet - representations and systems online - bookings of rounds.

Various the Internet - systems allow to obtain information on tendencies of the market, needs of clients, clients and even products of competitors in the mode of "real time", is reliable also without intermediaries. This information can be used further when carrying out the advertizing companies. Modern systems the Internet - advertizing are capable to identify the respondent (the user, the potential consumer) according to various characteristics: a sex, age, the region of residence, etc. and to broadcast him only those advertisements which are equitable to his interests and which requirements are met by him. Besides the analysis and advertizing, there are systems online - trade, the travel agencies allowing to define also the product which is most suitable the consumer proceeding from his previous inquiries, and suggesting to take advantage of the offer, without leaving the house or office, having paid and having issued tickets by means of systems the Internet - payments.

Not so long ago, in Russia the innovative system the Internet - bookings, under the name Bronni.ru has appeared. She works by the principle of IT outsourcing. IT - outsourcing assumes delegation of the external specialized company the solution of the questions connected with development, introduction and support of information systems as entirely at the level of infrastructure of the enterprise (maintenance of the equipment or the software), and amounts of works connected with development or support of functioning of separate sites of system (programming, a hosting, testing etc.). In this case, the Bronni.ru system offers the ready Internet product representing a common information space for all subjects of the tourist market of Russia and the CIS countries.

Thanks to the Bronni.ru system, the tour operator exporting the tourist's products to the Bronni system has an interaction opportunity with a large number of travel agencies, increases in sales volume and economy of resources at the maintenance of staff of sales managers and sales offices. Tourist agents, thanks to the Bronni system have an opportunity of placement of system online - bookings on the website, and also a possibility of simplification of communication with audience. Users receive convenience and saving of time for search and acquisition of a suitable tourist product.

Also experts in areas of design, Internet technologies and tourism have developed a new way of the presentation of a tourist's product - so-called, "Virtual Round". This way of marketing communications, at the moment, isn't extended everywhere yet, however, there is already a number of the companies offering to the tourist enterprises development of similar decisions.

So-called "Virtual round" shows not only how numbers of hotels, beaches, adjacent territories and sights of the tourist region look, but also gives the chance "to glance" in hotel, "to walk" on the beach and even to communicate to the hotel administrator by means of video online - conferences in the mode of "real time". At the moment, in some companies "Virtual Round" it is provided free of charge, as the advertizing material, in others - at additional expense.

In recent years the Internet was strongly fixed in our life. However, in Russia, the situation with development of innovative tourist technologies on the Internet is a little complicated by legislative restrictions for business activity and some mistrust of citizens the Internet - to technologies. It isn't excluded that in several years, after acceptance of a number of laws about the Internet - commerce and online - paperwork, tourist business will move to a new level.

In the conclusion, it would be desirable to add that the listed marketing innovations can successfully be used not only in tourist, but also in any other sphere. Universality of marketing innovations is also explained by it - they are suitable absolutely for any kind of business.

#### **List of references:**

1. Titova E.V. A problem of management of risk in modern conditions (article)//Problems of development of agrarian and industrial complex of Sayano-Altai: materials interregional scientific and practical conference – Abakan, 2010. - page 65-67
2. Pyzhikova N. I., Titova E.V., Malines E.A. Control system of risks of innovative activity of the enterprises of agro-industrial complex//science Era. 2015.

3. Pyzhikova N. I., Titova E.V. Complex task of the organization of effective business process//Achievements of modern science. – January, 2016.
4. Pyzhikova N. I., Titova E.V. Methodical recommendations about formation of the priority purposes of the enterprise of agrarian and industrial complex//Economy and business. – 2016.

## ON THE MODELING BUSINESS PROCESSES IN AGRICULTURE

**Valery S. Bondareva**

2th year student of the  
Krasnoyarsk State Agrarian University  
Russia, the city of Krasnoyarsk

**Denis V. Parshukov**

Research supervisor  
Cand.Econ.Sci., associate professor of Economics and Agribusiness  
Krasnoyarsk State Agrarian University  
Russia, the city of Krasnoyarsk

**Abstract:** In the scientific article deals with the modeling of business processes in agriculture. Presented by the definition of business processes, classification of business processes and directions of their improvement.

**Key words:** business process, agriculture, decomposition, business process classification.

A business process is a set of interrelated activities and works aimed at the creation of a particular product or service with consumer and commercial value. Modeling a business process is a representation of its decomposition on the basis, which can be either functions, implementation steps, subprocesses, etc. To use different modeling notations [1]. Any business process can be decomposed by the function or the stages of its implementation, and each function (stage) will include a set of operations or separate operations.

Methodologies with business processes designed for the enterprise and the management of business processes is performed only at the enterprise. The initial model of the business process in the ISO standards for class notations IDEF can be represented in a model "black box" indicated in inputs and outputs (Fig.1).

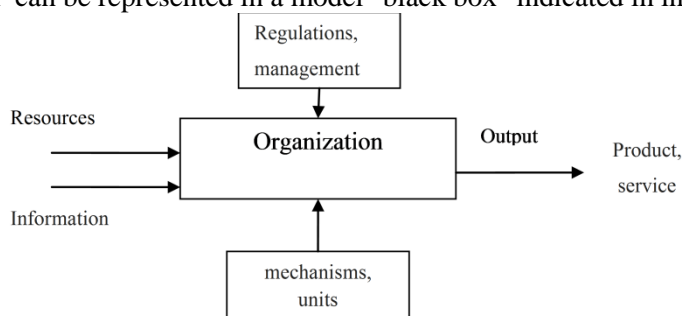


Figure 1 - Simplified model of "black box" of the business process

We will give a generalized view of the business processes in agriculture, taking into account its specificity.

Based on the analysis of [3] will make the following classification of business processes:

1. Basic business processes, regardless of industry sub-sectors (crops, livestock) – production of agricultural products.

2. Auxiliary business processes:

- repair and maintenance of equipment;
- veterinary and zootechnical services;
- agrochemical service and reclamation;
- storage and handling of products;
- agro-tourism;
- transport services.

Presents activities act as the business processes in the event that if they perform third-party organization. Otherwise, these processes will be to act as works on individual functions of the main business processes.

3. Supporting business processes:



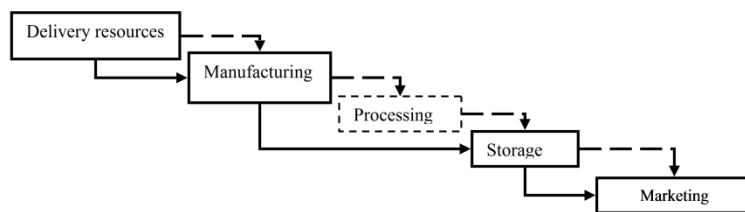
- realization of products;
- recruiting;
- financing;
- accounting and tax accounting.

Feature of agriculture is that business processes (BP) can be related to resources, functions, and finished products. So the result on this BP - the cultivation of cereals (grain) will be the resource for BP - the production of animal feed, which serves as a resource on BP – the production of meat, etc. to streamline and improve the effectiveness of business processes is the development of business projects for the development of agricultural production, through:

- the introduction of information and communication technologies management;
- introduction of resource saving technologies and innovations;
- investment projects on modernization of technological lines, machines and equipment, production and storage facilities;
- introduction of high yielding seed varieties and high-yield breeds of cattle.

Change a business process usually involves the lengthening chain of functions or the provision of additional business process (Fig. 2).

1. The elongation of the chain business functions



2. Additional business process

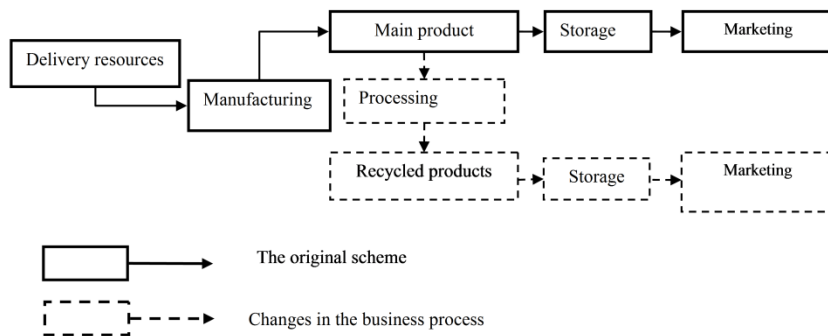


Figure 2 - the direction of change in the business process

Improvement of business processes due to their complexity and the variety of decompositions can be implemented in various areas: on the business process, by function, by individual works and operations (Fig. 3).

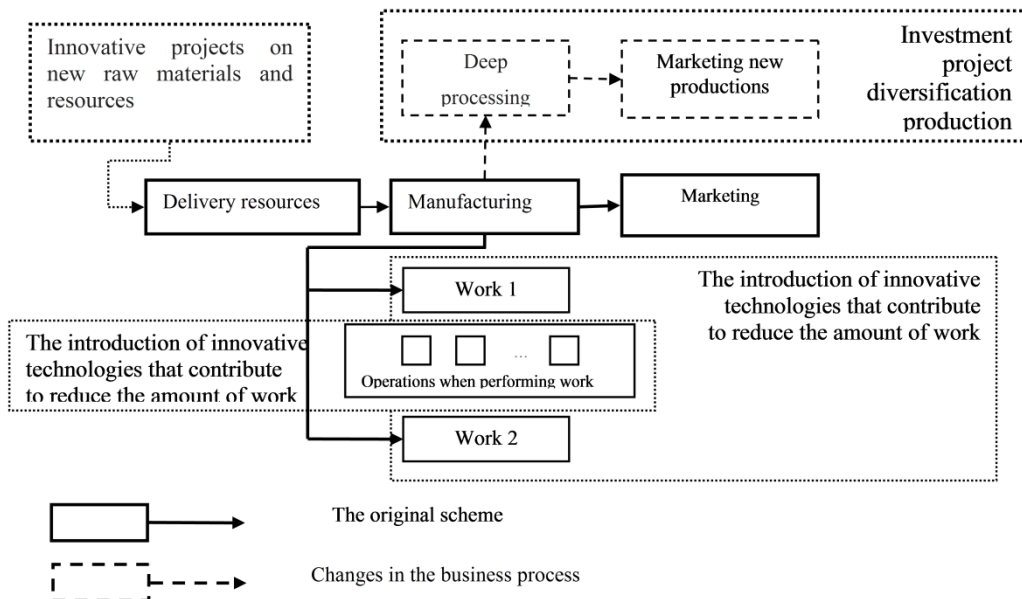


Figure 3 - directions of development of business processes

Standardization and methodology for business processes in agriculture needs revision and expansion of scientific knowledge. Currently, the management of agricultural enterprises in the most part be carried out through the organizational structure. At the same time the performance of the organization as a set of business processes is a prerequisite for the optimization and automation of such functions as administration, accounting and controlling, allows you to actively and successfully implement modern ICT management organization, to implement timely engineering of the production structure.

**References:**

1. Efimov, V. V. process Management : tutorial / V. V. Efimov, M. V. Samsonova. – Ulyanovsk : UISTU, 2008. – 222 p.
2. Kaldiyarov A. D., A. M. Adilov Business processes in the agricultural sector: control and automation/ Kaldiyarov A. D., A. M. Adilova// Economics and management in XXI century: tendencies of development. - No. 4. - 2015. - P. 113-118.
3. Matyushenko, S. G. the Management of business processes in agricultural enterprises/ G. S. Matyushenko/ the author's abstract on competition. academic step. candidate. Econ. Sciences.: Voronezh. - 2013. - 24 p.

## **THE DEVELOPMENT OF THE FIRST AGRICULTURAL MARKET IN THE REPUBLIC OF KHAKASSIA**

**Grintsak Kristina Aleksandrovna**

4th year student, Department "Management and administration"  
Russia, Krasnoyarsk

**Shaporova Zinaida Egorovna**

Ph. D., associate Professor of the Department "Management and administration"  
Krasnoyarsk state agrarian University  
Russia, Krasnoyarsk

**Abstract:** expanding the distribution network of agricultural products is one of the most important factors in the development of the whole industry. For this purpose it is necessary not only to build a specialized market, but also to carry out activities to improve them.

**Key words:** agricultural producers, agribusiness, agriculture, state program, market.

Agriculture is the most important life-supporting sphere of the economy, defining the ability to meet the needs of the population in nutrition, improve the living standards of the rural population, growth of production efficiency [1].

To date, the development of agriculture is among the priority tasks of economic policy of the Government of the Republic of Khakassia. The basis for the formation of a unified state policy in the field of development of agroindustrial complex of the Republic of Khakassia is built on the subordination of all activities to specific goals and objectives.

In 2012, prepared and adopted a Long-term Republican target program "Development of agriculture of the Republic of Khakassia and social sphere on village for 2013-2020".

Objectives:

1. stimulation of development of agriculture and regulation of markets of agricultural products, raw materials and food of the Republic of Khakassia;
2. modernization of cattle breeding, processing of animal products, development of infrastructure of the market of meat, meat products, milk, dairy products;
3. the increase in the production and processing of major products of plant growing;
4. the development of small businesses in rural areas;
5. creation of comfortable conditions of life in rural areas of the Republic of Khakassia;
6. creation of conditions for sustainable development of fish farming in the Republic of Khakassia;
7. stimulating the development of gardening and cottage noncommercial associations of citizens in the Republic of Khakassia;
8. improving the productivity and sustainability of agricultural production and of soil fertility through comprehensive land reclamation in conditions of climate change and natural disasters;
9. the execution of the state functions and services in the agro-industrial complex of the Republic of Khakassia. [4]

As a result of implementation of the state programme for the last three years have seen:

1) the tendency of growth of volumes of production of major livestock products: milk – 15 thousand tons, meat – by 2 thousand tons, the growth of the cattle population is 10 million heads, pigs by 3 thousand heads;

2) the increase in the share of crop production in total gross output of agriculture by 5%, increased acreage of crops 47.5 thousand hectares are involved in agricultural turnover of 60 thousand hectares of unused agricultural land.

As in any activity one of the factors contributing to the development of the industry is expanding the distribution network of agricultural products. If its lag or absence of it can cause various difficulties for the agricultural producers when sales of manufactured goods, which could lead to its loss (decay, wastage, etc.). It is specialized agricultural markets will allow in a shorter time to find customers. Properly equipped facilities, taking into account the peculiarities of storage of agricultural products, will allow to avoid in the implementation period, losses resulting products, and thus to avoid financial losses [2].

At the moment, opened the first in the Republic of Khakassia agricultural market. The building has been constructed with a total area of 2200m<sup>2</sup>, including shopping area of 1800m<sup>2</sup>, with capacity of 200 trading locations for agricultural producers. Favourable conditions are created for realization and storage

of all types of agricultural products (meat, milk and dairy products, fish, fruits, vegetables). Rooms are equipped with modern ventilation system, the systems maintain the required temperature and humidity, refrigerating equipment, showcases. In addition, for quality control products and services manufacturers on the market has veterinary items with laboratories. Currently on the market is the implementation of more than 30 kinds of merchandise. Primarily designated for sale are provided by local agricultural producers [3].

Market opening has allowed:

1. To eliminate middlemen between farmers and consumers, which allows to increase the income of producers, and thus increase tax revenues.

For example, today the intake of meat cattle processing enterprises agricultural producers is the price of 160 rubles. for 1 kg, while the retail price for 1 kg at a farmers ' market is not less than 250 rubles, it turns out a significant difference-90 rubles, or 36%. At the time, as in other retail networks, the cost of 1 kg of beef is more than 300 rubles. Thus, the development of this market is beneficial both for farmers and consumers.

2. To provide the population of the Republic of Khakassia quality agricultural products.

3. To create favorable conditions for products of the Republican agricultural producers.

4. To reduce the probability of formation of natural markets in the city of Abakan.

5. Reduce the retail price of the products.

With the increase in the number of farms in the Republic of Khakassia, as well as prevailing economic situation and the imposition of sanctions, the demand for local agricultural products grown in the country are actively fighting with various harmful Supplement and products that are harmful to health.

This requires further development of the agricultural market, namely:

1. The opening of a new branch in the city of Sayanogorsk.

The opening of a new market will increase the number of natural products and their sale to local farmers and producers.

2. To increase the range of products that are sold in the market at the expense of Handicrafts (pottery, glassware and articles of cooperage, shingle products, household products made of wicker, bast, bark and other natural materials, products of arts and crafts, felted shoes, articles of fur and sheepskin).

On the market the Handicrafts products will attract additional producers who want to sell their own products and therefore customers wishing to buy these products directly from the manufacturer and at a lower price.

3. The conduct of the advertising company.

The advertising campaign will help to inform and attract new producers, farmer and buyers.

4. Encourage manufacturers.

Manufacturers of highest quality products encouraged the management of the market by providing them with free trading places, and mark the quality mark "mark Khakass". This logo will be placed on the label/package products that will allow you to allocate the goods among the rest, to make it more competitive. And consumers this symbol will allow you to understand that this product is natural and high quality.

#### References:

1. Hodos D. V., Shaporova Z. E., Maksimova N. In. Evaluation of innovative potential of agricultural organizations. The successes of modern science and education. 2015. No. 4. S. 27-33.
2. Hodos D. V., shaporova Z. E., the Economic mechanism of innovative development of agriculture in the region the Management of economic systems: electronic scientific journal. 2013. No. 3 (51). P.7.
3. Business plan "the Development of the first in the Republic of Khakassia Republican market".
4. [www.invest.r-19.ru](http://www.invest.r-19.ru)

# THE COST OF MATERIALS AND THE SALE OF JSC "ILYINSKOE" UZHURSKY DISTRICT

## **Evdokimova A.**

The student of 3rd course of Economics  
profile Accounting, analysis and audit  
Federal state budgetary institution  
"Krasnoyarsk state agrarian University"

## **Borodina T. A.**

candidate of economic Sciences., associate Professor  
The Department of accounting and statistics  
Federal state budgetary institution  
"Krasnoyarsk state agrarian University"

**Abstract.** In the article the method of account of materials and their sale to specific enterprises.

**Key words.** Accounting materials, sales, accounting.

The applied accounting form in the organization is the memorial and order form of accounting. On the basis of the position "About Accounting Policies" of CJSC Ilyinskoye it is approved as the Order No. 155 of December 29, 2012, situation is signed by the director and the chief accountant and is the main document on which all accounting of the organization is constructed. According to Book of accounts of accounting and the Instruction for its application, approved as the order MF Russian Federation from 10/31/2000 No. 94n at the enterprise Working Book of accounts is applied. Accounting at the enterprise is carried out by the accounts department which is independent structural division of the enterprise, headed by the chief accountant. After studying of the organization of accounting it has been revealed that in CJSC Ilyinskoye the Order on Accounting policies is based on outdated normative documents and demands revision. Also there is no schedule of document flow which needs to be developed as it is an integral part of high-quality conducting accounting.

The main normative document for the accounting of material and production stocks (further MPZ) at the enterprise is PBU 5/01 "The accounting of material and production stocks" approved by the order of the Ministry of Finance of the Russian Federation of 09.06.2001 No. 44n (in edition of March 26, 2007).

According to PBU 5/01 at the enterprise material and production stocks are accepted to accounting on actual cost. If at acceptance of materials the divergence is revealed or accompanying documents are absent, then the statement of acceptance of materials (a form No. M-7) is drawn up. At holiday of materials in production and other leaving their assessment is made at average prime cost which is traditional for domestic registration practice.

For the organization of primary account in CJSC Ilyinskoye the following primary and summary documents are used:

1) the power of attorney (a form No. M-2 and No. M-2a) is applied to registration of the right to act as the authorized representative of the organization when receiving material values from the supplier;

2) the credit order (a form No. M-4) is used for the accounting of the materials arriving from suppliers or from processing. The credit order is formed in one copy the responsible person in day of receipt of values on a warehouse;

3) the act of acceptance of materials (a form No. M-7) is intended for registration of the arrived material values when there are divergences by quantity, quality, the range with data of accompanying documents of the supplier, and also at acceptance of the materials which have arrived without documents of the supplier (the neofakturovannykh of deliveries);

4) the limit and intaking card (a form No. M-8) is used for registration of holiday from a warehouse in production divisions of the organization within the set limit of the materials which are systematically consumed at production of production, performance of work, rendering services;

5) the requirement consignment note (a form No. M-11) is applied to the accounting of the movement of material values in the organization between structural divisions or responsible persons;

6) the consignment note on holiday of materials on the party (a form No. M-15) is intended for the accounting of holiday of material values to the structural divisions of the organization located outside her territory or the third-party organizations;

7) the card of the accounting of materials (a form No. M-17) is filled on each nomenclature number of material, serves for the quantitative accounting of the movement of materials in a warehouse on grades, types and the sizes;

8) the act of receipt of the material values received during the dismantling and dismantle of buildings and constructions (a form No. M-35) is applied to registration of receipt suitable for use in the organization of the material values received in the course of elimination of fixed assets;

9) the act on write-off of material values, the amount of the written-off materials increased by their sum is reflected in this act at the studied enterprise. At the end the total amount of all material and production stocks reflected in this act is put;

10) the invoice is made out (goes) the seller (the contractor, the performer) to the buyer (customer) after final reception by the buyer (customer) of goods or services. Depending on the legislation of the concrete state the invoice can carry out various functions;

11) the consignment note primary document which is applied to registration of sale (holiday) of inventory items of the third-party organization. The unified form of the consignment note (a form No. TORG-12);

12) the report on the movement of material values in places of storage. A form No. 121 – the document which expediency of drawing up appears in need of drawing up the commodity report concerning the movement TMTs for the certain period which is reporting. (Appendix K);

In general the organization of primary account conforms to all requirements, but at the enterprise there are not all forms of primary documentation, and some forms have very much become outdated and demand revision.

MPZ are considered on active account 10 "Materials". On the debit of the account intake of materials, on the account credit - their write-off is reflected. To account 10 "Materials" in CJSC Ilyinskoye the following sub-accounts are open:

10.1 - Raw materials and materials - reflect the purchased raw materials intended for industrial processing in economy.

10.2 - Medicines - reflects the acquired medicines for treatment of animals in the enterprise.

10.3 - Fuel - is considered by existence and the movement of the fuel, lubricant, the solid and gaseous fuel acquired or prepared for technological needs, operation of farm vehicles and vehicles, and also for development of energy or for heating of buildings.

10.4 - The container and tare materials - consider existence and the movement of all types of a container (cardboard, wooden, synthetic, fabric and another), except used as economic stock.

10.5 - Spare parts - consider existence and the movement of the spare parts acquired or prepared for needs of primary activity, details, knots, units, accumulators intended for repair, replacement of worn-out parts of cars, the equipment, vehicles, etc.

10.6 - Other materials - existence and the movement of the material values received from leaving of fixed assets which can't be used as materials, fuel, spare parts, worn-out tires, etc. is considered.

10.7 - The materials transferred to processing on the party - consider the movement of raw materials, the materials transferred on the party which cost in the subsequent joins in costs of production of the products received from them.

10.8 - Construction materials - existence and the movement of all types of the construction materials used directly in the course of construction, installation and repair work is considered.

10.9 - The stock and economic accessories - is considered existence and the movement of stock, tools, economic accessories with useful service to 12 months.

10:10 - Forages - consider existence and the movement of forages both own production, and purchased.

10:11 - the Stern own.

10:12 - the Stern purchased.

10:13 - Seeds and landing material - consider seeds and landing material of production of last year, a harvest of financial year and purchased.

10:14 - Seeds and landing material, own.

10:15. - Seeds and landing material, purchased.

Analytical account is kept on warehouse cards of the accounting of materials. Then the sums from these cards are transferred to memorial warrants, and later to the Ledger.

The accounting of sale of material and production stocks in CJSC Ilyinskoye is carried out on account 91 "Other income and expenses"

Account 91 "Other income and expenses" is intended for synthesis of information on the other income and expenses. The account is active and passive.

To account 91 "Other income and expenses" sub-accounts are open:

- 91-1 "The other income" - is considered the receipts of assets recognized by the other income;
- 91-2 "Other expenses" - are considered the expenses recognized as an other expenses;
- 91-9 of "Balance of the other income and expenses" - it is used for identification of balance of

the other income and expenses for reporting month.

On the basis of the revealed shortcomings it is expedient to offer sledushche. First, to pass to electronic conducting accounting. Secondly, to create the schedule of document flow as it is an integral part of high-quality conducting accounting.

**List of references:**

1. Titova E.V. A problem of management of risk in modern conditions (article)//Problems of development of agrarian and industrial complex of Sayano-Altai: materials interregional scientific and practical conference – Abakan, 2010. - page 65-67
2. Pyzhikova N. I., Titova E.V., Malines E.A. Control system of risks of innovative activity of the enterprises of agro-industrial complex//science Era. 2015.
3. Pyzhikova N. I., Titova E.V. Complex task of the organization of effective business process//Achievements of modern science. – January, 2016.
4. Pyzhikova N. I., Titova E.V. Methodical recommendations about formation of the priority purposes of the enterprise of agrarian and industrial complex//Economy and business. – 2016.

## ORGANIZATIONAL-ECONOMIC DESCRIPTION AND ASSESSMENT OF THE FINANCIAL CONDITION OF JSC "ILYINSKOE" UZHURSKY DISTRICT

### **Evdokimova A.**

The student of 3rd course of Economics  
profile Accounting, analysis and audit  
Federal state budgetary institution  
"Krasnoyarsk state agrarian University"

### **Borodina T. A.**

candidate of economic Sciences., associate Professor  
The Department of accounting and statistics  
Federal state budgetary institution  
"Krasnoyarsk state agrarian University"

**Abstract:** The article considers the questions connected with carrying out organizational-economic characteristics of the enterprise, as well as the assessment of the financial condition.

**Key words:** organizational characteristics, economic characteristics, the assessment of the financial condition.

The Ilyinskoye closed joint stock company located at the address - 662255, Krasnoyarsk Krai Uzhursky district, the village of Ilyinka, ул Main 34 has formed base of research. The organization is registered on November 28, 2002 by Inspection of the Ministry of Taxes and Tax Collection of the Russian Federation for Uzhursky district of Krasnoyarsk Krai. The director of the organization is Voyenbender Vladimir Eduardovich. INN - 2439000515, the check point - 243901001.

Primary activity is cultivation of grain, commercial and other crops.

The main buyers and customers are the following organizations:

- JSC Leninskagrosnab
- LLC Commercial and Industrial Company
- LLC Agropromservice
- CJSC Novoselovo

On the basis of data of annual accounting reports the structure of products of economy (table 1) has been considered.

Table 1 – Structure and structure of products of CJSC Ilyinskoye

Types of branches and production of Year

2012 2013 2014

Products, one thousand rub Ud-y weight, % Products, one thousand rub Ud-y weight, % Products, one thousand rub Ud-y weight, %

Wheat 3 classes 27873 57,93 58518 57,73 56472 60,62

Barley 2958 6,14 6405 6,31 8160 8,76

Oats 951 2 3778 3,72 - -

Total on plant growing 31782 66,07 68701 67,76 64632 69,38

Large cattle 6092 12,66 12185 12,02 3664 3,93

Horses 48 0,09 96 0,09 35 0,03

Milk 10190 21,18 20381 20,10 22885 24,56

Meat is large a cattle - - - - 1933 2,07

Total on animal husbandry 16330 33,93 32662 32,21 28517 30,59

In total on the enterprise 48112 100 101363 100 93149 100

Production activity of CJSC Ilyinskoye crop as the share of this branch makes in 2011 - 66,07%, in 2013 - 67,76% and in 2014 - 69,38%. Respectively specialization of the enterprise grain as the specific weight of wheat (grain) averages 57,73% in three years. Specialization grain with the developed production of milk, the specific weight of milk averages 21,18%. Specialization level average (the coefficient of specialization is equal to 0,3).

Important part of the analysis of activity of the enterprise is studying of dynamics of the amount of production (table 2).

Table 2 – Amount of production of CJSC Ilyinskoye

Indicators of Year 2014 to

2012, in %



	2012	2013	2014
Gross output, thousand rubles	3409	7794	7564
Cost of products, thousand rubles	44541	89082	89450
Area of agricultural grounds, hectare.	9270	9270	7870
Average annual cost of the fixed business assets of a primary activity, thousand rubles	195661	195904	205446
The average annual number of the workers occupied in production the people	179	179	179
Size of power capacities, h.p.	19662	19662	19662
Quantity of the spent electric power, one thousand kW/hour	14471	14471	14471
Cattle livestock, усл. heads	505	1011	859

According to the Federal law "About development of small and average business in the Russian Federation" No. 209-FZ of 24.07.2007 CJSC Ilyinskoye treats medium-sized enterprise as the number of workers has made in 179 people within three years. The enterprise works steadily, in dynamics in three years indicators of average annual number of workers, the size of power capacities and amount of the spent energy haven't changed, however the area of agricultural grounds has decreased. The cost of commodity and gross output has increased twice. The average annual cost of the fixed business assets in loudspeakers for 2013 and 2014 has increased by 9785 rub.

Further on the basis of financial statements we will carry out an assessment of solvency of the enterprise and we will calculate indicators of financial stability (table 3).

Table 3 - Assessment of solvency and financial stability of CJSC Ilyinskoye  
Indicators of Year Standard value

	2012	2013	2014
Liquidity coefficients:			
- current	13,7	7,24	7,58
- fast	2,68	1,94	2,55
- absolute	0,12	0,43	0,22
Coefficient of a ratio of the sum of own current assets to the sum of short-term obligations	12,7	6,24	6,59
Coefficients of financial stability:			
- property	0,80	0,85	0,85
- financial dependence	0,20	0,15	0,15
- borrowed funds	1,24	1,16	1,17
- financings	4,16	6,14	5,87
- financial stability	0,81	0,91	0,93
- security with own current assets	0,69	0,85	0,86
- maneuverability	0,5	0,61	0,49
- investments	1,95	2,24	1,68
- accumulation of depreciation	0,43	0,47	0,46

The enterprise is liquid (solvent) as all indicators of liquidity are in limits the noramativnykh of values. On the basis of calculations coefficients of property and financial dependence in loudspeakers for 3 years completely corresponds to standard value. The enterprise works steadily, borrowed funds are present at norm limits. All other coefficients also correspond to standard values and aberrations aren't observed. Therefore, the enterprise is financially steady.

#### List of references:

1. Titova E.V. A problem of management of risk in modern conditions (article)//Problems of development of agrarian and industrial complex of Sayano-Altai: materials interregional scientific and practical conference – Abakan, 2010. - page 65-67
2. Pyzhikova N. I., Titova E.V., Malines E.A. Control system of risks of innovative activity of the enterprises of agro-industrial complex//science Era. 2015.
3. Pyzhikova N. I., Titova E.V. Complex task of the organization of effective business process//Achievements of modern science. – January, 2016.
4. Pyzhikova N. I., Titova E.V. Methodical recommendations about formation of the priority purposes of the enterprise of agrarian and industrial complex//Economy and business. – 2016.

# THE USE OF INDICATORS TO ASSESS THE EFFECTIVENESS OF INNOVATIVE PROJECT

**Zhemchugova Kseniya Aleksandrovna**

bachelor 4-year student of the Department of management and administrative management APK  
Krasnoyarsk state agrarian University  
Russia, city of Krasnoyarsk

**Konstantin Lobkov Yu.**

Supervisor

Ph. D., associate Professor, Department of management and administrative management APK  
Krasnoyarsk state agrarian University  
Russia, city of Krasnoyarsk

**Abstract:** Discusses indicators for assessing the effectiveness of innovative projects, given their characteristics.

**Key words:** innovation activity, innovation project, performance evaluation, performance indicators.

Innovations - arise in the course of practical and theoretical activities of the person. They result from studying and use of results of scientific projects and research developments which are directed to improvements of various fields of activity of people, whether it be as the relations in the field of culture, science and education. Innovations not always are what - that new in human life, they can mention and change already ready-made product which has already qualitative and cost characteristics in the qualitative plan. They promote increase of efficiency of activity of the person in various spheres. Increase in efficiency of an internal combustion engine, transition to cassette tape recorders from bobbin can be an example of that.

The innovative project is a system of the interconnected purposes and programs of their achievement representing a complex of research, developmental, production, organizational, financial, commercial and other actions, appropriately organized, issued by a set of project documentation and providing effective solution of the specific scientific and technical objective expressed in quantitative indices and leading to an innovation [1].

The purpose of the innovative project — creation new or change of the existing systems — technical, technological, information, social, economic, organizational and achievement as a result of decrease in expenses of resources (production, financial, human) radical improvement of quality of production, service and high commercial effect [1]. But not each innovative project can be carried out. His realization depends on a number of factors:

- uniqueness and an opportunity to compete with other projects;
- existence of advantage, benefit and his need for the consumer;
- existence of his requirement in the market;
- ratio of costs of implementation of the project and commercial effect;
- marketing strategy, options of positioning of a product;
- legal security of the project - compliance to the legislation, need of obtaining certificates, licenses, existence of patents, copyright, a possibility of receiving support from the state (subsidies, privileges).

All are applied in practice rather actively, we will consider their positive and negative sides.

1. The indicator of payback of capital investments is very widespread, it doesn't assume temporary orderliness of monetary receipts. Application of the indicator based on calculation of a payback period of expenses can be expedient when the management of the enterprise is puzzled only with a solution of the problem of liquidity, but not profitability of the project — the main thing that investments have paid off, and as soon as possible. The indicator is also good in a situation when investments are accompanied by a high risk therefore, the payback period is shorter, the less risky is the project. But his essential shortcoming ignoring of future cost of money taking into account the income of future period and thereof inapplicability of discounting. For the Russian economy in a type of presence of inflation this method is insufficiently exact.

2. Indicator of calculation of effectiveness ratio.

This method has two characteristic features: first, he doesn't assume discounting of indicators of the income; secondly, the income is characterized by an indicator of net profit. The indicator of effectiveness ratio of investments understood as an average value of profitability for the entire period of implementation of the project. The algorithm of calculation is exclusively simple, as predetermines wide

use in practice. The indicator based on investment effectiveness ratio also has a number of the essential shortcomings caused generally by the fact that he doesn't consider a temporary component of cash flows. This indicator doesn't do distinction between projects with the identical sum of average annual profit, but varying profit sum by years, and also between the projects having identical average annual profit, but generated during various number of years, etc.

3. Profitability index indicator. This method is a consequence of a method of calculation of the pure given effect. It is based on comparison of size of initial investment to total amount of the discounted net monetary earnings generated by her during the predicted term. As inflow of money is distributed in time, it is discounted by means of the coefficient established by the analyst independently proceeding from annual percent of return which he wants or you can have on the capital invested by him. Unlike the pure given effect the index of profitability is a relative indicator. Thanks to it he is very convenient at the choice of one project if a profitability index more unit, then the project is profitable and if he less unit, then is on the contrary inefficient.

His shortcoming is that when forecasting the income it is necessary to consider all types of receipts as production not production character.

4. Indicator of net value. Size pure flowing the cost of the project is the net discounted income and is defined as the sum of the current effects for all settlement period. At the same time the size of discount can be a constant or a variable [1].

Efficiency of the project is considered at this norm of discount on the basis of values pure flowing cost: the it is more, the project is more effective.

5. The indicator of discounting of means, is the most widespread method of an assessment of innovative projects, based on an assumption that the money received or spent in the future will have smaller value, than now. Calculation of coefficients of reduction in practice of an assessment of investment projects is made on the basis of so-called, "comparison rates" (coefficient of discounting or norm of discount). The sense of this indicator consists in change of rate of decrease in value of monetary resources eventually. According to value of coefficients of recalculation always there have to be less units. Advantage of a method is that the attention is paid to the fact that the monetary income gained later has no the same cost that received earlier. It in the conditions of inflation is very important. The similar indicator is the most effective and exact in the conditions of the Russian economy and continuous growth of inflation [1].

Thus, the considered indicators can't be used independently separately. Everything will depend on what aim will be pursued and what strategy will be applied. They aren't ideal and they have both the pluses, and the minuses under certain conditions of their application. When using one of methods under certain conditions gives us as an example, the maximum demand and the maximum receiving disposable profit, another gives the chance to be fixed to the project for long time in the market and to gain stable income. Proceeding from it, would be expedient to combine indicators of innovative projects for performance of desirable result.

Consideration of efficiency of the innovative project is for today a hot topic as at the heart of the high-quality shifts happening in modern economy the innovative orientation of strategy and tactics of development of production lies. Innovative activity of economy has gained nature of the central social and economic process in industrially developed countries.

### **Bibliography:**

1. Innovative project management: Textbook. the manual / Under the editorship of Professor V. L. Popov. - M.: INFRA-M, 2009. - 336.

# ASSESSMENT OF RISKS IN INVESTMENT PROJECTS

**Kalashnikov Vladislav**

the student of 4 course Management  
Federal budgetary establishment  
higher education "Krasnoyarsk state  
agrarian University"  
Achinsk branch

**Titova E. V**

candidate of economic Sciences, associate Professor  
Federal state budgetary educational institution of higher professional education "Krasnoyarsk state  
agrarian university"  
Achinsk branch

**Abstract:** In article key questions and problems of an assessment of risks in investment projects are considered.

**Keywords:** Investment project, risk, efficiency.

The investment project represents the main document defining need of implementation of real investment in which in the standard sequence of sections the main characteristics of the project and financial performance connected with his realization are stated.

The basis of investment activity of the enterprise is made by real investment. At the majority of the enterprises real investment is the only direction of investment activity in modern conditions. It defines a high role of management of formation of profit in the course of real investment, the choice of his most effective forms. Real investments are carried out by the enterprises in various forms, are basic of which:

1. Acquisition of complete property complexes;
2. New construction;
3. Reshaping;
4. Reconstruction;
5. Modernization;
6. Updating of some types of the equipment;
7. Innovative investment into intangible assets;
8. Investment of a gain of stocks of material current assets.

The risk in investment projects is possible practically always. Therefore methods of an assessment of risk of investment projects are revealed:

- methods of quality standard of risks;
- methods of a quantitative assessment of risks;

The qualitative analysis of design risks is carried out at a stage of development of the business plan, and obligatory complex examination of the investment project allows to prepare extensive information for the analysis of his risks. In quality standard it is possible to allocate the following methods:

- expert method;
- method of the analysis of relevance of expenses;
- method of analogies.

Methods of a quantitative assessment assume numerical determination of size of risk of the investment project. They include:

- definition of a limit of stability of the project;
- analysis of sensitivity of the project;
- analysis of scenarios of development of the project;
- imitating modeling of risks by the Monte-Carlo method.

During writing of the scientific article methods of decrease in risk of the investment project that the company could quiet prevent threat of risks have been revealed. After all risks in the investment project are revealed and the analysis is carried out, it is necessary to make recommendations about decrease in risks about project stages. The basic principle of operation of the mechanism on decrease in investment risk consists in complexity on nature of the influence and economic feasibility.

In the conditions of uncertainty of economic result it is possible to carry the following to the main measures for decrease in investment risk:

1. Redistribution of risk between participants of the investment project;

2. Creation of reserve funds (on each stage of the investment project) on a covering of contingencies;
3. Decrease in risks when financing the investment project achievement of positive balance of the saved-up money on each step of calculation;
4. Mortgage providing the invested financial means;
5. Insurance transfer of certain risks of insurance company;
6. System of guarantees – receiving guarantees of the state, bank, investment company and т.п.;
7. Obtaining additional information.

Having drawn conclusions, it has become clear that the main complexity at an assessment of the investment project are the design risks having various nature and rendering both positive, and negative impact on result.

Carrying out the analysis strong and weaknesses of the project is carried out similar to SWOT analysis of the company. Feature consists that for the project there are two external environments - a near environment of the project (it is the internal environment of the company) and a further environment of the project (it is external environment of the company).

We will note that it is classification of risks it is somewhat conditional as to draw a clear boundary between separate types of investment risks rather difficult. A number of investment risks is in interrelation (it is correlated among themselves), changes in one of them cause changes in another that influences results of investment activity.

It turns out that many changes in the political, social, commercial and business environment, changes in equipment and technology, productivity and prices, a state of environment, the operating taxation, legal and other questions exert impact on implementation of investment projects. All this predetermines existence in projects of a certain risk.

The conclusion it is possible to notice that the risk is initially put in nature of any economic activity: always there is a probability to suffer losses or to miss possible benefit as a result of incorrect own actions or an adverse effect of certain external factors. Investment risks can be characterized as probability of emergence of financial losses of unforeseen character in a situation of uncertainty and not evidence.

#### **List of references:**

1. Titova E.V. A problem of management of risk in modern conditions (article)//Problems of development of agrarian and industrial complex of Sayano-Altai: materials interregional scientific and practical conference – Abakan, 2010. - page 65-67
2. Pyzhikova N. I., Titova E.V., Malines E.A. Control system of risks of innovative activity of the enterprises of agro-industrial complex//science Era. 2015.
3. Pyzhikova N. I., Titova E.V. Complex task of the organization of effective business process//Achievements of modern science. – January, 2016.
4. Pyzhikova N. I., Titova E.V. Methodical recommendations about formation of the priority purposes of the enterprise of agrarian and industrial complex//Economy and business. – 2016.

# ASSESSMENT OF EFFICIENCY OF REALIZATION OF STRATEGY OF DEVELOPMENT OF THE AGRICULTURAL ENTERPRISES OF THE EMELYANOVSKY AREA

**Karpunina Anna Nikolaevna**

student 2 courses, directions 38.04.02 "Production management"  
FGBOOU WAUGH "Krasnoyarsk state agricultural university",  
Russia, Krasnoyarsk

**Chepeleva Christina Viktorovna**

research supervisor  
к.э.н, associate professor of the international management  
FGBOOU WAUGH "Krasnoyarsk state agricultural university",  
Russia, Krasnoyarsk

**Summary:** Use of a method of the analysis of hierarchies for an assessment of efficiency of realization of strategy of development of branch is presented in article.

**Keywords:** The method of the analysis of hierarchies, an efficiency Assessment, Approachability is more whole, development Strategy.

Efficiency of strategy of development can be considered from a set of various positions, however the most effective is extent of achievement of the planned purposes. Extent of achievement of the planned purposes – is based on an assessment of compliance of the planned target indicators of strategy and actually the level reached them [1, c.67].

At realization of such approach to an assessment of efficiency of strategy of development of branch there are following problems: existence of rather large number of strategic objectives of development of branch that as a result complicates the general assessment of their realization as the purposes are not equivalent and certain priorities are necessary; complexity of definition of a quantitative assessment of realization of the purpose at the accounting of the general economic laws of reduction of extreme usefulness.

For the solution of these problems we will construct an integrated indicator of achievement of the planned strategic objectives of development of branch taking into account their approachability and priorities. The method of the analysis of hierarchies (MAH) developed by the scientist T. Saati is for this purpose used. In his basis representation of a task in the form of the corresponding hierarchy with decomposition of this task on rather simple components and further processing of sequence of judgments of the person making the decision by means of their paired comparison is put [2, c.22]. Relative extent (intensity) of interaction of separate elements in the received hierarchy will be as a result expressed.

Definition of priorities will be carried out in two steps: we will define priorities of the making elements (i.e. strategy) complex strategy of development of the agricultural enterprises; identification of priorities is more whole, with use of results of the first stage.

At the first stage the following operations are performed: decomposition of a task in the form of hierarchy of the elements influencing the set purpose – providing a sustainable development of branch; poll of experts for consecutive paired comparison of all elements of hierarchy in a rating scale of MAI; representation of expert estimates in the form of matrixes and their check on coherence.

The hierarchy of definition of priorities of elements consists of three levels. In top a main goal, at the second level the main fields of activity of branch, on the third place components of complex strategy (fig. 1).

Specialists of Department rural and forestry of administration of Emelyanovsky district, managers and heads of the enterprises of agrarian and industrial complex acted as experts. Total of experts = 11 people. A task of experts – paired comparison of extent of influence of separate strategy on a sustainable development of branch for a rating scale of MAI from 1 to 9.

Estimates of experts were brought in special matrixes. In our case 33 matrixes have turned out. For each matrix by means of the Microsoft Excel program the maximum own number  $\lambda_{max}$  paid off. The

coherence index (CI) on each of matrixes which displayed extent of violation of number and coherence of expert estimates was calculated:

$$IS = (\lambda_{\max} - N) / (N - 1),$$

where n – dimension of a matrix,  $\lambda_{\max}$  - the maximum value of a matrix.

The index of coherence is compared with average coherence (CC) for a summary matrix of answers of all experts. Thus counting the coherence relation (CR) for each matrix of OS = IS/SS.

If OS value for any matrix of OC > 0,5, then it is possible to claim that judgment of the expert are strongly uncoordinated and they should be removed from the general selection of answers. In our research all indicators of OS < 0,5.

The conducted researches have allowed to establish priorities of strategy of development of branch (a1, a2 ... a8) (table 1).

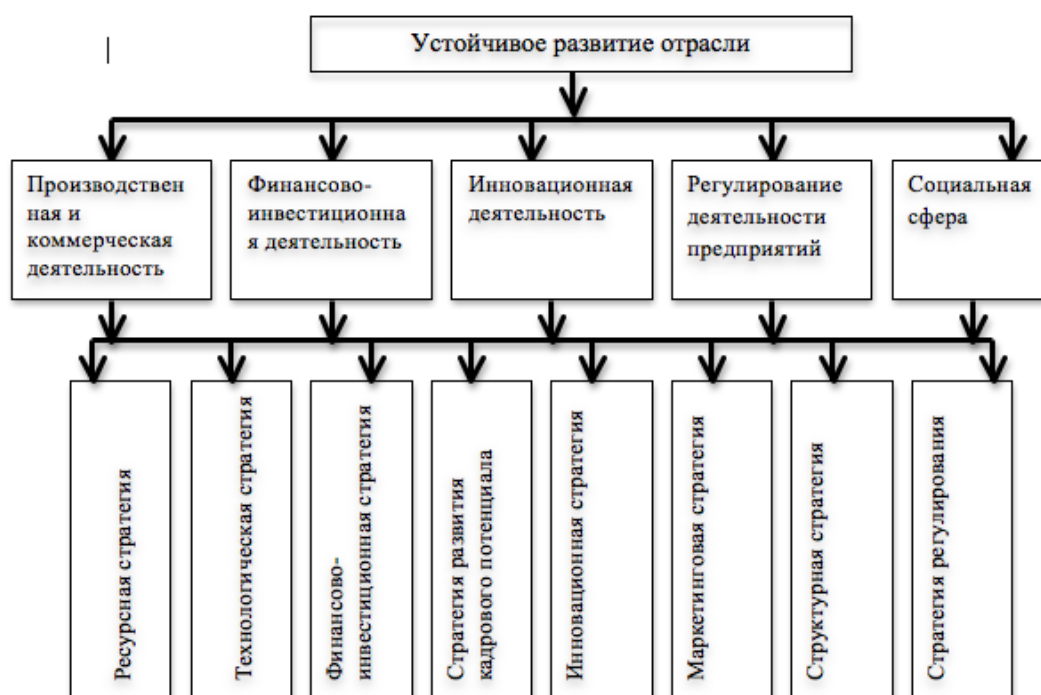


Table 1 – Priorities of strategy of development of the agricultural enterprises

No. of a payment order	Strategy	Priority
a1	Structural	0,075
a2	Resource	0,061
a3	Technological	0,122
a4	Financial and investment	0,451
a5	Development of personnel - potential	0,188
a6	Innovative	0,378
a7	Marketing	0,339
a8	Regulations	0,302

Using the method of the analysis of hierarchies (MAH), the assessment and comparison of the purpose of strategy to her elements have been made and the priority of realization of financial and investment strategy is revealed. The assessment of indicators was made by means of experts as whom specialists of Department rural and forestry of Emelyanovsky district, and also managers and heads of the enterprises of agrarian and industrial complex of the area have acted. According to experts, the lowest priority at resource strategy that is surprising, considering sharpness of a problem of providing the enterprises of agrarian and industrial complex with resources.

#### List of references:

1. Saati, T.L. Decision-making. Method of the analysis of hierarchies. – M.: Radio and communication, 2013. – 314 with.
2. Bhushan N., Kanwal R. Strategic Decision Making: Applying the Analytic Hierarchy Process. – Springer, 2011. – 200 p.

# EFFICIENCY OF INDUSTRIAL POTENTIAL OF THE ENTERPRISES OF SMALL AND AVERAGE BUSINESS OF THE KRASNOYARSK REGION

**Kozlov M. A.,**

PhD student at the Institute of Economics and Finance APK  
Federal state budgetary educational institution of higher professional education "Krasnoyarsk state agrarian university"

**Pijikova N. I.**

doctor of economic Sciences, Professor,  
Federal state budgetary educational institution of higher professional education "Krasnoyarsk state agrarian university"

**Titova E. V.,**

candidate of economic Sciences, associate Professor,  
Achinsk branch Federal state budgetary educational institution of higher professional education  
"Krasnoyarsk state agrarian university"

**Abstract:** The article deals with improving the efficiency of production potential of enterprises of small and average business of the Krasnoyarsk region

**Key words:** efficiency, potential, productive capacity, entrepreneurship.

Krasnoyarsk Krai has the sufficient potential of development of small and medium business. Despite weaknesses which limit quantitative and high-quality increase in production and the enterprises in this sector of economy the production capacity of Krasnoyarsk Krai possesses strengths thanks to which it is possible:

– to develop small and medium business in the urbanized territories of the area where the main manpower settles down, transport and other infrastructure for delivery of raw materials, materials, transportation and delivery of finished goods to the consumer is developed, and also the industrial infrastructure for ensuring trouble-free operation of all productions is developed;

– to develop small and average productions of Krasnoyarsk Krai on processing of the natural and other resources which are available in each concrete district in the small cities and other settlements of edge with limited labor, transport, infrastructure, investment and innovative potential.

Indicators of efficiency of production capacity of the enterprises of small and medium business of Krasnoyarsk Krai are presented in table 20.

Thus, indicators of efficiency of use of production potential by the enterprises of small and medium business of Krasnoyarsk Krai increase. Dynamics of such indicators as a gross regional product – growth rate of 100,9%, the made regional income – 100,2% testifies to it; public labor productivity – 108,3%, capital productivity – 101,4%, efficiency of labor potential – 102,6%, effectiveness ratio of use of scientifically technical potential – 118,2%, efficiency of information potential – 112,5%, efficiency of production potential – 114,3%. However in the analysis unused reserves of production – 56,8% are revealed. It demonstrates that the enterprises of small and medium business of Krasnoyarsk Krai have unused reserves of growth and development of production potential which need to be used at strategic and tactical planning of activity of the enterprises of this sector of economy.

## List of references:

1. Pyzhikova N. I., Titova E.V., Kozlov M. A. Problems of development and functioning of small and medium business in Russia.//Materials of the X International scientific and practical conference, "Conduct of modern science", 2014.
2. Pyzhikova N. I., Titova E.V., Kozlov M. A. Improvement of the state support of small and average business//Materials of the XI International scientific and practical conference, "Areas of scientific thought", 2014/2015.



# SMALL BUSINESSES IN RURAL AREAS OF THE KRASNOYARSK TERRITORY

**Lipshin Alex G.**

master`s 2st of Department of organization of production,  
of management and entrepreneurship at the agricultural sector enterprises  
Krasnoyarsk state agrarian University  
Russia, Krasnoyarsk

**Demina Nina F.**

scientific director  
Ph.D., Professor of Economics and Agribusiness  
Krasnoyarsk State Agrarian University  
Russia, Krasnoyarsk

**Abstract:** The transition to a market economy operating conditions had a negative impact on the activities of smallholders, P(F)E and small agricultural enterprises in the regions where natural conditions are less favorable for agriculture. Low profitability and unprofitability of production, combined with an insufficient level of state financial support has led to the bankruptcy of a large part of small farms, which constitute a substantial part of the rural economy of Russia.

**Keywords:** small business, agriculture, farming population, agricultural organization, peasant (farmer's) economy.

Agrarian reform the 90-ies of the last century has led to radical changes in Russian agriculture. In the process of privatization of land and property of the state and co-operative enterprises, new organizational and legal forms of farms were created. [4]

Individual entrepreneurship in agriculture has led to the emergence and development of peasant farming sector. Significantly expanded their activities private farms. Market relations have become crucial in the organization of production in all categories of farms.

In any economically developed country, small business is one of the main areas on which to build market relations, ensuring the competitiveness of the economy. [1]

State support for small farms in rural areas is an important factor in increasing the income and living standards of the rural population, employment, sustainable development of rural areas of the Krasnoyarsk Territory.

In modern conditions the role and function of small farms in the socio-economic development of the village has changed substantially.

According to the edges of the site statistics in 2014 in the region 4671 registered an entrepreneur engaged in small businesses (see Table 1). [3]

Table 1 – Main indicators of activity of small enterprises of the Krasnoyarsk Territory

Index	2011	2012	2013	2014
Number of enterprises, units	4186	4179	3564	4671
The average number of employees, human	148332	132983	124261	139452
The turnover of enterprises (excluding VAT, excise taxes and similar mandatory payments), million rubles	243239,0	229128,6	218143,9	255305,4
Investments in fixed assets (in terms of new and acquired for import of fixed assets), million rubles	5251,0	6410,0	6624,0	6804,8

Small forms of management, represented by private (peasant) farms, individual entrepreneurs engaged in agricultural activities, the citizens, the leading private farming (LPH), agricultural consumer cooperatives, are full participants in a mixed agrarian economy of the Krasnoyarsk Territory.

Inefficient use of agricultural organizations, the main factors of production, in turn, leads to a slowdown in agricultural production growth and redistribution of resources towards small businesses.

Analysis of crop and livestock production structure (Table 2) in the agriculture of Krasnoyarsk region shows a decrease of the population of farms and an increase in private (peasant) farms, individual entrepreneurs, and agricultural organizations.

Produced in private farms products are intended mainly for their own consumption in connection with what is low marketability, and refers to the inefficient, since it is based on manual labor and primitive technology. [2] However, the private sector need to be developed, as for the rural population, they are a source of income and self-employment.

Table 2 – Production and animal husbandry in agricultural production on farms categories (% of farms of all territories)

Year	Agricultural companies		Farming population		Peasant (farmer) farms, individual entrepreneurs	
	crop	livestock	crop	livestock	crop	livestock
2010	32,6	41,6	63,8	57,5	3,6	0,9
2011	41,7	45,8	53,8	53,3	4,5	0,9
2012	41,4	45,7	54,4	53,2	4,2	1,1
2013	49,0	44,4	43,5	54,4	7,5	1,2

This redistribution is due to the fact that the agricultural organizations engaged in the production of products that have the highest consumption of materials and energy consumption.

In animal husbandry, the greatest reduction is observed in agricultural organizations and private households, which is caused by the difficulties of maintaining the necessary level of forage. The same trend is observed in the crop structure.

Emerging market relations are now dictating the need for further development in the region of the system of agricultural consumer cooperatives.

But despite the positive dynamics of development of small farms, they are experiencing significant difficulties in maintaining the achieved level, and in the expansion of its production. Citizens of the leading private farms, peasant (farmer) farms and individual entrepreneurs are experiencing acute shortage of credit resources due to poor availability of commercial credit market. In relation to them an efficient system of logistics and industrial services, are not enough services for the implementation of field work, the system has not worked out procurement of agricultural products, its processing and marketing.

The solution to such problems as poor material and technical base, extensive methods of farming, difficulties with the sale of goods manufactured possible by the creation on the basis of cooperation of small producers supplying, marketing, processing and other agricultural consumer cooperatives.

The need to address the above problems requires appropriate programs to support small farms in rural areas. Implementation of measures of these programs will improve the socio-economic situation, to advance small business in rural areas, improve the efficiency of AIC edge as a whole on the basis of the activities agreed between themselves on the timing, resources and executors.

#### **Bibliography:**

1. Karelin K.S. Prospects for the development of small businesses in rural areas, heading - Problems of the theory and practice of management / electronic scientific journal "Proceedings" of the Irkutsk State Academy of Economics (Baikal State University of Economics and Law), 2011. – №2.
2. Ozerova M.G. Modern trends in the development of small businesses in the structure of agriculture of Krasnoyarsk Krai / Magazine «Nikon reading», №14, 2009 - S.202-204.
3. The site of the Federal Service of State Statistics // [Electronic resource] URL: <http://krasstat.gks.ru/> date handling (01.03.2016).
4. Saraykin V.A. Small business in Russian agriculture, its role and prospects of development: author. thesis for the degree of Doctor of Economics: 08.00.05 / V.A. Saraykin. - Moscow, 2013. - 44 p.

# ASSESSMENT OF PRODUCTIVITY OF BUSINESS PROCESSES IN AGRO-INDUSTRIAL COMPLEX

**Mashneva A.E.**

PhD student at the Institute of Economics and Finance APK  
Federal state budgetary educational institution of higher professional education "Krasnoyarsk state agrarian university"

**Pijikova N. I.**

doctor of economic Sciences, Professor,  
Federal state budgetary educational institution of higher professional education "Krasnoyarsk state agrarian university"

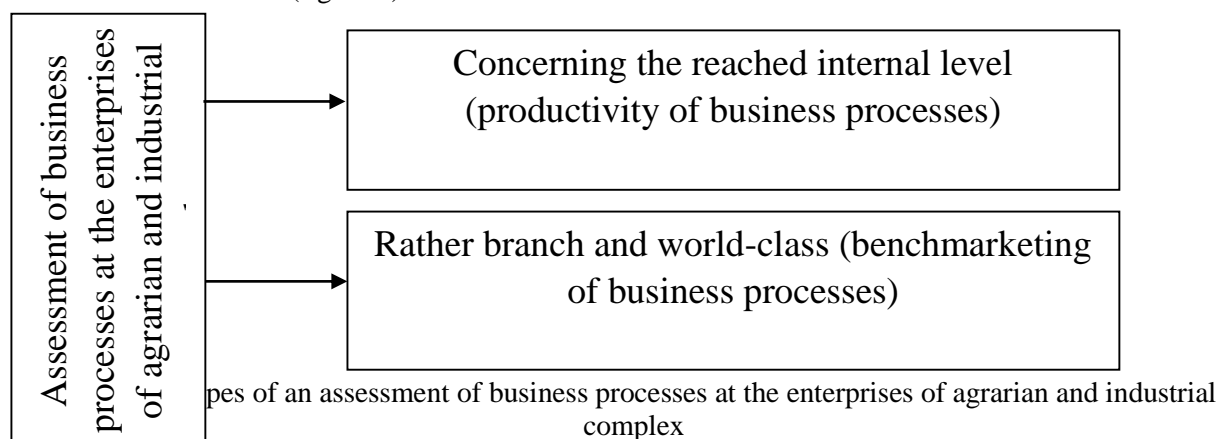
**Titova E. V.,**

**candidate of economic Sciences**, associate Professor,  
Achinsk branch Federal state budgetary educational institution of higher professional education "Krasnoyarsk state agrarian university"

**Abstract:** In the article methodology of estimation of efficiency of business processes is examined in an agroindustrial complex.

**Keywords.** Business process, efficiency, effectiveness.

Having studied approaches to an assessment and increase of productivity of business processes, it has been defined that results of activity of the agricultural enterprise represent quantitative expression of results at the exit of the business processes defined on the basis of an assessment of a condition of business processes of the enterprise concerning the reached internal level (productivity of business processes) both branch and world-class (figure 1).



It should be noted that because processes differently influence achievement of strategic objectives of the enterprise, they need to be ranged on importance degree. It is for this purpose offered to use the method of the analysis of hierarchies (MAH) of T. Saaty which cornerstone pair comparisons of alternatives on a nine-mark scale (table 3) are. When ranging also intermediate numbers (2, 4, 6, 8) can be used. Ranging of business processes is carried out by experts, comparing business processes among themselves. The rated sums received as a result of calculations, are accepted as weight coefficients of business processes.

Further weight coefficients of processes have been determined by a method of the analysis of hierarchies of Saaty (table 4).

Table 4 - Indicators of productivity and weight coefficients of processes of the agricultural enterprise (fragment)

Process	Productivity of process	Weight coefficient
1. Responsibility of the top management	0,95	0,08
2. Planning	0,95	0,03
3. Development of the production technology, electrode production	0,81	0,03

## 25. Management of documentation 1 0,03

Before the following stage it is expedient to compare the received value of an indicator of productivity of system to values of this indicator for the previous periods. By this technique the assessment of productivity of processes of the agricultural enterprises was carried out 3 times (table 5).

On the basis of definition of indicators of productivity of processes process "Production preparation" which productivity is equal to 0,24 has been revealed. This process has been taken as object for carrying out a benchmarking. The partner in a benchmarking has chosen Balakhtinsky district. Having analysed process at the partner, the actions, responsible, terms and expenses have been defined. For implementation of the project on process improvement "Production preparation" investments in the sum of 726 thousand rubles are necessary. According to the forecast after the beginning of introduction of actions there will be an inflow of monetary receipts, since the stage t1 in the sum of 43 thousand rubles (at norm of discount at the level of 4,7%). As a result of calculations the net discounted income on different time intervals was gained more than zero. The payback period discounted is equal to ten months (the cumulative net discounted income = 56,416 thousand rubles) . Therefore, the project on process improvement "Production preparation" can be approved.

Table 5 - Data of indicators of productivity  
the integrated system of management of the agricultural enterprise  
Period the 2nd half-year 2012 the 1st half-year 2013 the 2nd half-year 2013.  
Indicator of productivity of ISM 0,8 0,84 0,86

Having analysed the received indicators of productivity of processes of the integrated system of management, the enterprise for effective management of processes needs to work in the following directions:

Thus, the offered criteria and a technique of an assessment and increase of productivity of business processes, can be used for adoption of reasonable decisions in management of business processes of the enterprise. By means of the described steps the industrial enterprise can independently create the system of an assessment of efficiency of business processes opening all necessary information to internal users and considering all features of activity of the concrete agricultural enterprise.

#### List of references:

1. Economic levers of state regulation of activity of the enterprises agro-industrial//N. I. Pyzhikova, E.V. Titov, M. A. Kozlov. - Achievements of modern science. – 2015. - No. 4
2. Titova E.V. Instruments of decrease in risks of innovative activity of the enterprises of the meat industry//Thesis for degree of Candidate of Economic Sciences. – 2011.
3. Pyzhikova N. I. Instruments of decrease in risks of innovative activity of the enterprises of the food industry / N. I. Pyzhikova, E.V. Titov; Krasnoyar. state. arpap. un-t. – Krasnoyarsk, 2010. – 124 pages.

## STAFFING OF AGRICULTURE KRASNOYARSK REGION

**Mohireva Anna Nikolaevna**

Undergraduate 1 year, the Department of Entrepreneurship and Business  
FGBOU VO " Krasnoyarsk State Agrarian University"

Russia , the city of Krasnoyarsk

**Yakimova Lyudmila Anatolievna**

Research supervisor

Doctor Econ. Sci., Professor, Head of Department of Entrepreneurship and Business  
FGBOU VO "Krasnoyarsk State Agrarian University"

Russia , the city of Krasnoyarsk

**Abstract:** The problem of staff capacity APC Krasnoyarsk Territory . The basic directions of increase of staffing AIC with the direct participation of the Ministry of Agriculture of the Krasnoyarsk Territory.

**Keywords :** Agriculture , staffing , agricultural organizations , education.

Agriculture land and its basic industry - agriculture - are the leading backbone sectors of the economy of the Krasnoyarsk Territory , forming the agri-food market , food and economic security of the region , employment and settlement potential of rural areas . The level of agricultural organizations of Krasnoyarsk Territory qualified personnel is significantly below the average for Russia and the Siberian Federal District .

The attractiveness of work in the agricultural industry for graduates of agricultural educational institutions is quite low . Despite remaining volumes of training young professionals in educational institutions of higher, secondary and primary vocational education agrarian agricultural organizations independently employed no more than 13 % . The financial condition of agricultural organizations , does not allow them a decent wage , as well as other kinds of material support. According to preliminary data Krasnoyarskstate average monthly wage per worker employed in agriculture in 2015 amounted to 16 874.4 rubles when the average monthly salary of workers of all types of activities -37 097 rubles, that is, the size of income for most young families and young professionals working in industry organizations can not provide a decent standard of living. The proportion of young families and young professionals living in rural areas and improve living conditions, the total number of wishing to improve their living conditions with state support is 23, 4% [3].

Staffing system should include mechanisms of professional orientation of rural youth to training and additional vocational training of managers and specialists of agricultural enterprises of different ownership forms , and retain young professionals and young workers in rural areas.

This will be achieved by implementing the following tasks:

1. Raising the professional level of the workers and employees of agricultural producers, agribusiness organizations.
2. Encouraging employees to improve the level of professionalism and enhancing the prestige of working in agriculture.
3. Creating conditions to attract and retain young professionals and young workers in the agricultural sector edge.
4. Strengthening of material and technical base of regional state educational institutions of secondary vocational education, providing training of highly qualified personnel for the agro-industrial complex of the region.

The achievement of goals and objectives for staffing AIC edge justified the choice of program and sub-program activities such as:

- social benefits for the resettlement of young professionals , young workers ;

- the payment of social workers , agricultural producers to compensate for part of the costs related to higher education by correspondence courses on a contract basis ;
- payment for services of additional vocational training of workers, employees of agricultural producers engaged in educational activities on additional professional programs;
- subsidies to agricultural producers, agribusiness organizations to compensate for part of the costs associated with cash payments to students Russian state educational institutions of higher education, receiving a degree in direction "Agriculture and fisheries" full-time education;
- social payments agronomists, livestock specialists and veterinarians to agricultural producers; social benefits for the resettlement of young professionals, young workers;
- subsidies to agricultural producers to compensate for part of the costs associated with the payment of wages for young specialists;
- purchase of products the automotive industry, tractor and agricultural machinery for strengthening of material-technical base of the regional state educational institutions of secondary vocational education, offering training in "Agriculture and fisheries" [2].

According to the Ministry of Agriculture of the Krasnoyarsk Territory implementation of measures envisaged by the subroutine " Staffing agribusiness region" by 2020 will create conditions to overcome the shortage of human resources in the organizations of the agro-industrial complex of the countryside edge by providing state support to 150 young professionals and young workers .For the development of rural areas and protect the interests of small farms in rural areas , it will create at least 696 jobs . The average monthly nominal wage of workers employed in agriculture reached 26 656.2 rubles . Providing qualified affordable housing , will create conditions to reduce the migration loss of young people from the village [ 1 ] .

To date, the development and implementation of activities carried out mainly by the authorities . To effectively enhance the human resource capacity of agro-industrial complex of the Krasnoyarsk Territory , should be close cooperation with the Government of the Territory of educational institutions , public organizations , entrepreneurs and investors .

#### **Bibliography:**

1. The official internet -portal of the Ministry of Agriculture of the Krasnoyarsk Territory - [ electronic resource ] - Access - URL: <http://krasagro.ru/>
2. The official portal of the Krasnoyarsk Territory - [ electronic resource ] - Access - URL: <http://krskstate.ru/>
3. The official portal of the "Center for Documentation and Information and Transportation Ministry of Agriculture and edge service Gostekhnadzor edge " - [ electronic resource ] - Access - URL: <http://krasikc-apk.ru/>

# THE RATIONALE FOR THE USE OF THE GENERALIZED HURWITZ CRITERION WITH COEFFICIENTS TO EVALUATE THE EFFICIENCY OF INNOVATIVE PROJECTS OF ENTERPRISES OF THE RSP

**Parfenova Elena**

master 1st year students of the Department of management  
Siberian state aerospace University. academician M. F. Reshetnev  
Russia, city of Krasnoyarsk

**Konstantin Lobkov Yu.**

Supervisor  
Ph. D., associate Professor of management  
Siberian state aerospace University. academician M. F. Reshetnev  
Russia, city of Krasnoyarsk

**Abstract:** the author substantiates the application of the generalized Hurwitz criterion with coefficients when selecting innovative projects that improve the efficiency of innovation activities and management decisions.

**Key words:** innovation activity, innovation project, criteria for decision making.

The structural transformations of the Russian economy caused by market changes and increase of a role of innovations for effective functioning and development of the enterprises of the Space-rocket Industry (SRI) impose new requirements to management of innovative activity. In these conditions management of innovations substantially depends as on efficiency of use of opportunities of the market environment by the enterprise, and on set of the tools and methods applied in management of the innovative projects (IP) of the enterprise.

Innovative activity of RCP assumes implementation of considerable investment investments in development and realization of SP. At the same time investments into SP are followed by higher level of risks, than investments into already famous and approved projects, and in the conditions of the increasing dynamism and uncertainty, the probability of successful implementation of such projects considerably decreases. In this regard to the person the correct use of criterion of the choice of SP since efficiency of innovative activity depends on the correct application of criterion of the administrative decision matters.

At the choice of the optimal administrative solution use the following criteria:

1. The Maksimaksny criterion or criterion of extreme optimism – defines alternative which maximizes the maximum result for each alternative from the maximum conditions of the nature, i.e. the decision-maker chooses the decision to which he corresponds:

$$A_m = \max_{1 \leq i \leq m} \max_{1 \leq j \leq n} a_{ij}, \text{ (relatively winnings)}$$

$$A_m = \min_{1 \leq i \leq m} \min_{1 \leq j \leq n} r_{ij}, \text{ (relative risk)}$$

Where  $A_m$  – Alternative solutions for the n- th event;

$a_{ij}$  – winning value for the decision maker for the i-th alternative for j-th event;

$r_{ij}$  – risk value for the decision maker for the i-th alternative for j-th event .

This criterion takes into account the behavior of decision-makers for the problem of aggressive attitude to risk , but does not take into account the degree of uncertainty of the information , taking into account only a maximum state of nature .

5. Maximin criterion Wald criterion or extreme pessimism - defines the alternative that maximizes the minimum result for each alternative of the maximal state of nature, ie, The decision maker chooses the solution that corresponds to :

$$A_m = \max_{1 \leq i \leq m} \min_{1 \leq j \leq n} a_{ij}, \text{ (relatively winnings)}$$

$$A_m = \min_{1 \leq i \leq m} \max_{1 \leq j \leq n} r_{ij}, \text{ (relative risk)}$$

This criterion does not take into account the behavior of the decision maker and does not consider the level of uncertainty of information takes into account only the minimum state of nature .

5. Criterion optimism - pessimism Hurwitz - defines the alternative that maximizes the result for each of the alternative minimum and maximum states of nature , taking into account the coefficient of pessimism , that is, The decision maker chooses the solution that corresponds to :

$$A_m = \max_i \left[ k \min_j a_{ij} + (1-k) \max_j a_{ij} \right], \text{ pessimism factor } k$$

$$A_m = \max_i \left[ (1-t) \min_j a_{ij} + t \max_j a_{ij} \right], \text{ optimism index } t$$

where k – pessimism coefficient, accepts values from 0 to 1;

t – the optimism coefficient, accepts values from 0 to 1.

At value of coefficient of pessimism of k = 1 criterion of Gurvits turns into criterion of extreme pessimism of Wald, at k = 0 – into criterion of extreme optimism.

This criterion considers behavior of the decision-maker for a problem of the moderate attitude towards risk and problems of the aggressive attitude towards risk, doesn't consider degree of uncertainty of information, takes into account only extreme – the maximum and minimum state of nature.

*Generalized Hurwitz criterion with coefficients involves determining the pessimism factor in the conservative and aggressive with regard to the decision-makers at risk .*

*In the case of a conservative attitude to risk LPR pessimism factor determined by the formula*

$$k_j = \frac{\min_j b_j}{\sum_{j=1}^n b_j}$$

In the case of the aggressive attitude of pessimism LPR risk factor is determined by the formula:

$$k_j = \frac{\max_j b_j}{\sum_{j=1}^n b_j}$$

The coefficient of optimism for the generalized Hurwitz criterion with coefficients determined by the formula :

$$A_m = \max_i \sum_{j=1}^n b_j k_j,$$

This criterion takes into account the behavior of decision-makers for the problem of moderate attitude to risk and the problem of aggressive attitude to risk , take into account the degree of uncertainty of information , taking into account all the possible states of nature.

Thus, the generalized Hurwitz criterion criterion with ratios in the selection of innovative projects to improve the efficiency of innovation and management decisions .

### **Bibliography:**

2. The basics of innovation management. Theory and practice: Textbook / L. S. Barutin, etc.; edited by A. K. Kazantsev, L. E. Mindeli. 2-e Izd. revised and enlarged. — M.: JSC "Publishing house "Economy", 2004. - 518 p.

3. Innovative project management: Textbook. the manual / Under the editorship of Professor V. L. Popov. - M.: INFRA-M, 2009. - 336.



# METHODS OF PERSONNEL ASSESSMENT IN THE ORGANIZATION

**Sanarov Denis Aleksandrovich**  
the student of 4 course Management  
Federal budgetary establishment  
higher education "Krasnoyarsk state  
agrarian University"  
Achinsk branch

**Titova E. V.**  
candidate of economic Sciences, associate Professor,  
Federal state budgetary educational institution of higher professional education "Krasnoyarsk state  
agrarian university",  
Achinsk branch

**Abstract:** The article considers promising methods of personnel assessment in the organization.

**Key words:** staff, organization, assessment methodology, certification

Performance appraisal – system which allows to measure results of work and level of professional competence of employees, and also their potential in a section of strategic tasks of the company.

During an assessment the employer compares the employee holding this or that position to the expert who is ideally suited for this position.

Certification:

Certification is the right of administration of the company which can be realized concerning all or separate categories of employees. The workers who have worked less than one year, pregnant women or having children till three years, representatives of top management can be excluded from an assessment.

Certification one, two or three times a year is carried out. Can be according to the decision of administration next or extraordinary.

Certification estimates qualification, results of work (an estimated leaf or according to the recommendation from the head), the level of knowledge and practical skills (in the form of standard examination), business and personal qualities.

Evaluation criterion — the professional standard of specialties and positions.

MBO:

Consists in joint statement of tasks by the head and employee and an assessment of results of their performance after the reporting period (usually the end of financial year).

The assessment affects all categories and positions of the company.

1) The list of tasks is formed:

a) the manager himself sets tasks, and then brings them to employees. Then there is an adjustment taking into account proposals of the employee;

b) the manager and the employee set tasks independently from each other, and then on interview coordinate them.

2) Criteria of performance of tasks (coefficient, weight percentage of the general success for each task) according to strategy of the company are defined.

3) Success of performance of a task is defined. The opinion of the head is considered priority or involve the higher head to the decision.

4) Measures for improvement of quality of work are outlined.

PM:

Estimates results, methods and competences of employees, areas of development come to light, career of the employee is planned. Part is taken by all categories and positions of the company. The accent is put on feedback of the head with the subordinate in the form of a regularity of contacts of times a year (formally) and more often (as required, informally).

Interviews on statement of tasks and total interview (it is made in common by the head and the subordinate) take place once a year where feedback on his work is provided to the employee and ways of development of his success and quality of work are developed. Results of work on tasks and competences are estimated, areas come to light and plans of training of the employee and development of his career are formed.

"360 degrees":

The assessment on competences which is carried out by people who constantly work with the employee.

The estimated competences:

- Leadership
- Work in team
- Management of people
- Self-management
- Skill to communicate
- Vision
- Organizing abilities
- Ability to make decisions
- Professionalism
- Initiative
- Ability to adaptation

**List of references:**

1. Titova E.V. A problem of management of risk in modern conditions (article)//Problems of development of agrarian and industrial complex of Sayano-Altai: materials interregional scientific and practical conference – Abakan, 2010. - page 65-67
2. Pyzhikova N. I., Titova E.V., Malines E.A. Control system of risks of innovative activity of the enterprises of agro-industrial complex//science Era. 2015.
3. Pyzhikova N. I., Titova E.V. Complex task of the organization of effective business process//Achievements of modern science. – January, 2016.
4. Pyzhikova N. I., Titova E.V. Methodical recommendations about formation of the priority purposes of the enterprise of agrarian and industrial complex//Economy and business. – 2016.

# THE EFFICIENCY OF THE ENTERPRISES OF THE MEAT INDUSTRY IN SYSTEM OF AGRO-INDUSTRIAL COMPLEX

**Aisulu Sarmanova**

The Karaganda State University of the name of academician E.A.Buketov  
Republic of Kazakhstan, Karaganda, University st., 28  
Kazakhstan, Karaganda

**Abstract:** In article basics of investment climate, and also factors of formation of innovative activity of the enterprises of agro-industrial complex are covered.

**Keywords.** Innovative climate, innovative activity, strategy, efficiency.

In farms with rather low level of intensity of pig-breeding efficiency of the additional expenses connected with innovative processes is much higher, than in farms with the high level of efficiency of pigs.

The additional expenses connected with innovative processes in the meat industry provide increase of efficiency of branch, and this direction has unconditional prospect and the practical importance for producers of meat raw materials in Krasnoyarsk Krai. At the same time additional investments have to be directed first of all to increase of efficiency of pigs as the most important indicator defining all other indicators of production efficiency in the meat industry.

Now in foreign pig-breeding as a result of selection work an average daily additional weight of one head it is increased from 370 to 800 g/days on average on groups of animals, and on separate of them efficiency exceeds 850 g/days. The certain experience of increase of efficiency of pigs is saved up in farms of Krasnoyarsk Krai. In CJSC Nazarovskoye of Nazarovsky district, CJSC Iskra and SHPK "Achinsk Stud Farm" of the Achinsk area as a result of the directed work on herds of large white breed of pigs average efficiency to 360 - 410 g/days is increased.

The created genetic potential of efficiency can be completely realized only on condition of cultivation of high quality breeding pigs and at transfer of pig-breeding to an industrial basis.

We will consider dependence of output of innovative production (Y) of the meat-processing enterprises on the following indicators:

- costs of researches and developments (h1),
- costs of acquisition of the equipment (h2),
- costs of acquisition of new technologies (h3),
- costs of acquisition of software (h4),
- costs of production design (h5),
- costs of training and preparation of personnel (h6),
- costs of market researches (h7).

For an assessment of influence of these indicators on the volume of innovative production the main components are allocated. By means of the factorial analysis it is allocated three main components which explain 97,9% of full dispersion: updating of fixed assets (U1); investments into development of new productions (U2); investments into expansion of production (U3).

The main components through basic rated data are expressed as follows:

$$U_1 = -0,8565x_1 + 0,8574x_2 + 0,494x_3 + 0,968x_4 + 0,846x_5 + 0,817x_6 - 0,389x_7$$

$$U_2 = 0,134x_1 - 0,504x_2 - 0,85x_3 - 0,067x_4 + 0,414x_5 + 0,535x_6 - 0,63x_7$$

$$U_3 = -0,417x_1 + 0,023x_2 + 0,136x_3 - 0,246x_4 - 0,345x_5 - 0,218x_6 - 0,675x_7$$

As a result of calculations the following regression model on the main components is received:

$$Y = 4927,8 + 5876,6U_1 - 5718,3U_2 - 9200U_3$$

The given model can receive the following economic interpretation. A component updating of fixed assets exerts positive impact on the volume of innovative production. It confirms importance of replacement of the outdated equipment new to increase in volume of innovative production. Coefficients at components of investment into development of new productions and investment into expansion of production have negative value that will be explained by the long period of manifestation of their influence on growth of innovative production.

## List of references

1. Pyzhikova N. I., Titova E.V., Kozlov M. A. Problems of development and functioning of small and medium business in Russia.//Materials of the X International scientific and practical conference, "Conduct of modern science", 2014.

2. Pyzhikova N. I., Titova E.V., Kozlov M. A. Improvement of the state support of small and average business//Materials of the XI International scientific and practical conference, "Areas of scientific thought", 2014/2015.

# THE MODERN STRATEGIES FOR MOVING GOODS TO MARKET

**Christina V. Svetilnikova**

2th year student of the  
Krasnoyarsk State Agrarian University  
Russia, the city of Krasnoyarsk

**Denis V. Parshukov**

Research supervisor  
Cand.Econ.Sci., associate professor of Economics and Agribusiness  
Krasnoyarsk State Agrarian University  
Russia, the city of Krasnoyarsk

**Abstract:** The article deals with modern approaches to promote new products to the market . highlighted the typical problems of promotion, as well as the basic elements of the promotion strategy.

**Keywords:** marketing communications , positioning , distribution , promotion strategy.

Success of functioning in the competitive market, in the long term, for any organization depends on actions for development and improvement of own production. Life cycle of goods, variability of expectations of consumers, evolutions of factors of an external makrosreda are the cornerstone of this requirement.

Before management of the organization there is a large number of questions of relevance of a novelty, the volumes of investment into development and expenses on advance, planned parameters of profitability and profit. These questions acquire the greatest relevance in the conditions of narrowing of the markets and increase of negative moods among consumers during the periods of crises. As show researches, development of new goods is in most cases expressed in strategy of differentiation and modification of goods. At realization of strategy of advance of new goods there can be typical problems: [3]

"Inadequate idea" of a new product at the management of the organization (the management considers that it well understands a market situation and doesn't pay attention to negative factors, and personnel of the organization doesn't pay his attention to possible problems).

1. Entry into the market without preliminary market researches or their implementation at a low level (the firm saves on researches or carries out them at insufficiently professional level).

2. Expectation of instant effect of introduction of a new product (having created a new product expect instant effect of him in the market).

3. A compromise product as result of consensus (the "Compromise" product is intended not for accurately certain segment of the market, and is a product "for all". In this case the new product often loses to products of competitors which have accurate positioning and meet the concrete, specific needs of consumers).

4. Weak distribution of a new product (Rather often advertizing efforts of firms and various promotion of an action don't bring result because of badly organized system of distribution of goods).

When developing strategy of advance of goods on the market, according to the author, the next moments are the major:

1. Positioning of new goods

According to Ansoff's matrix for new goods depending on type of the market (new or available) strategy of development of a product or diversification are used. Also strategy of a conclusion of new goods are divided into a trajectory of the innovator (the new market niche is created) and the follower's trajectory (the goods are brought to the market in which there is already a leader).

Positioning has to pursue three aims: informing, belief, motivation.

various promotion of an action don't bring result because of badly organized system of distribution of goods

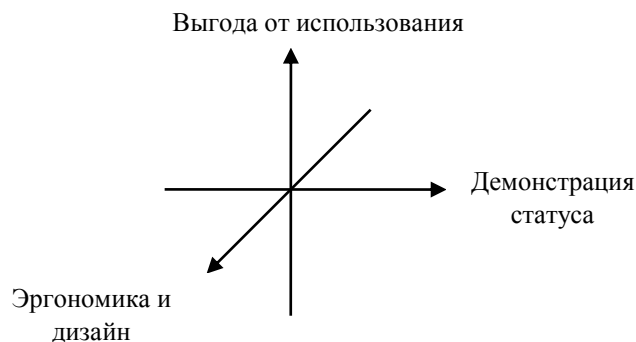


Figure 1 – Directions of positioning

### 1. Choice of forms of marketing communications

Anyway, at advance, the leading role is played by marketing communications. At the moment, with development of information technologies, actively develop advance on the Internet and social networks. The most applicable forms of marketing communications at advance of new goods the following: [2]

a) BTL services – a complex communication the practitioner, the sales aimed at stimulation, marketing networks and development of special design of advertizing materials. Applied marketing communications in the sphere of BTL: presentation of production; tasting of production; sampling; premium ("gift for purchase"); competition; lottery.

b) Event marketing. It is a complex of actions for maintenance of image of the company and its production, to advance of her trademarks and services by means of bright and remarkable events.

c) Children's marketing – marketing of goods taking into account features of children's inquiries. The idea "A children's view of adult things" is the cornerstone.

d) Film merchandising. At registration of packing it is even more often used the image of this or that famous character of cinema or the animated film appearing in cinema objects are identified with the advertized goods ("are replaced" with him).

### 2. Distribution of new goods.

In marketing marketing length of the channel of merchandising and a form of sales of goods is important. The channel of merchandising has to be zero, and a form of sales a straight line, through own points in large shopping centers. According to the author, for advance of new goods ways of sales the following:

1. The preorder through an online service and delivery by mail or kuryerny service.
2. Exhibitions sales in shopping centers.
3. Dayrekt-seyls - sales at oral conversations with several buyers.
4. Dayrekt-mayl.

The important direction of sales is work with large intermediaries in sector of sales of B2B. Besides, it is possible to allocate such way of the organization of sale as joint sales by the principle of co-branding.

In general, the modern world and society actively pass to virtual communication, through social networks and electronic resources therefore in our opinion in this plane future prospects of trade and advance of goods lie.

### Bibliography:

1. Avdeychikova, E. V. Analysis of the concept "remote trade" and its feature / E. V. Avdeychikova//Siberian trade and economic magazine. - No. 1. - 2013. - Page 104-109.
2. Kuznetsova Yu. V. New ways of advance of goods: modern forms of marketing communications in Russia / Yu. V. Kuznetsova//the Bulletin of Eurasia. - No. 2. - 2006. - Page 25-46.
3. E. Jerome McCarby, William D. Perreault. "Applications in Basic Marketing". Clippings from the Popular Business Press. 1992-1993

# FEATURES OF INFLATION IN RUSSIA

**Stepanova Ksenia Aleksandrovna**

student 2 courses of institute of economy and finance of agrarian and industrial complex  
Krasnoyarsk state agricultural university  
Russia, Krasnoyarsk

**Sabirzhanova Zukhra Tagirzhanovna**

Cand.Econ.Sci., associate professor of economy and agrobusiness,  
Krasnoyarsk state agricultural university  
Russia, Krasnoyarsk

**Summary:** questions of inflation in Russia, feature and the reasons, dynamics and forecasts, an anti-inflationary policy are considered.

**Keywords:** inflation, prerequisites, factors, anti-inflationary policy.

In 2008-2009 Russia was in a condition of crisis. The mortgage meltdown of the USA was the prime cause of this phenomenon. Then crisis has affected mainly bank sphere. Certainly, sharp increase of number of the unemployed and increase in a rate of inflation in the country became consequences. Salaries haven't changed while goods prices and services have grown considerably.

According to Rosstat in 2015 inflation in Russia has made 12,9% against 11,4% in 2014, 6,5% in 2013, 6,6% in 2012, 6,1% in 2011 and 8,8% in 2010 and 2009. Higher rate the last time has been recorded in 2008 (then inflation has made 13,3%).

Inflation in the country in 2016 will depend generally on two factors:

1. Economic sanctions against Russia;
2. Devaluation of ruble, that is falling of his purchasing opportunity, as a result of oil depreciation.

It is possible to select the prerequisites influencing dynamics of development of inflation in the country:

1. Policy of the Central Bank in the field of a turn of money supply. Acceptance by the state of measures for control and correcting of level of prices for the main types of goods and services. At the same time the real income of citizens decreases.

2. External konjunktury manifestations.
3. Free exchange rate.
4. Strengthening of a role of monopolies.

Inflation in 2016 will be followed by considerable reduction of commodity turnover and recession of outputs that will exert negative impact on investments. Inflow of the capital to the sphere of the address will increase, accumulation process will be slowed down. Further decrease in purchasing power of the population will result from devaluation of ruble. According to preliminary forecasts the prices by the beginning of 2017 will raise by 10-15%.

This year the following external factors are prevailing on national economy:

- low price in sector of oil and gas production;
- an exchange of sanctions between the Russian Federation and the western countries;
- the blockade mode interfering crediting of the whole branches in the western banks for long terms;
- negative processes in stock market of the largest economy of the world of China;
- the centrifugal phenomena in the EU – risks of an aggravation of confrontation between industrial leaders and countries of Eastern Europe etc.

Deduction of prices of oil at a low level promote:

- removal of embargo from Iran which is theoretically capable to increase deliveries to the world market to 2 million barrels a day;
- the strengthening of production by the OPEC countries caused by unwillingness of the countries of the Middle East to renounce sales markets;
- delay of growth of consumption of oil in China;
- lifting of restriction for export of hydrocarbons to the USA.

The state actively applies an anti-inflationary policy to fight against inflation which includes various tactical and strategic actions. Decrease in rates of inflation to rather safe level of-12% a year has become possible only thanks to increase in production efficiency and improvement of quality of management.

Further the purposes of an anti-inflationary policy have to become:

- predictability of dynamics of inflation;
- strengthening of anti-inflationary actions;
- increase in prices regulation measures branches monopolists;
- restriction of a share of the income of intermediaries in the final prices of consumer goods;
- maintenance of interest rates at that level which exceed rates of inflation;
- expansion of system of the state securities for the population;
- to limit a budget shortage level;

Today efforts of the Central Bank are directed to stabilization of the situation and deduction of growth rates of inflation. Experts predict essential decrease in coefficient of inflation in 2016 which reduction of GDP will follow. Reduction of quantity of penalties concerning Russia has to promote normalization of a situation. According to this forecast it is possible to count on a country exit from crisis. Positive impact on national economy will be exerted by formation of ruble independent of oil.

**List of references:**

1. <http://www.krizis-2015.ru/uroven-inflyatsii-v-2016-godu-v-rossii-prognozy.html> (date of the address: 11/4/2015).
2. <http://www.apecon.ru/Prognoz-inflyatsii-v-RF/Prognoz-inflyatsii-v-Rossii-na-2015-2016-i-2017-gody.html> (date of the address: 2/1/2016).
3. <http://2016-god.com/prognoz-urovnnya-inflyacii-na-2016-god/> (date of the address: 8/1/2015).
4. Bank SteepLoan portal. URL: <http://steeploan.com/analytics/inflyacziya-v-rossii-v-2016-godu> (date of the address: 1/24/2016).
5. Information Unikassa portal. URL: <http://unikassa.ru/prognoz-inflyatsii-v-2016-godu.html> (date of the address: 3/16/2016).



## " WASTE IN INCOME "

**Taranosova Anastasia Igorevna**

4<sup>th</sup> year student of the Department of management and administration  
Krasnoyarsk State Agrarian University  
Russia, the city of Krasnoyarsk

**Shaporova Z.E.**

Cand. Econ.Sci. associate professor of the department  
of management and administration  
Krasnoyarsk State Agrarian University  
Russia, the city of Krasnoyarsk

**Abstract:** Currently, the agricultural enterprises there is a problem, you need to properly dispose of bio-waste. There are many different ways of recycling, but the most effective method is considered in the article. Thanks to a new multifunction product, the company will turn their waste into revenue, without contaminating the soil.

**Keywords:** Biochar, a method of disposal of biowaste, adsorbents.

According to the decree of the President of 2017 will be the year of ecology in Russia. Currently agricultural producers are facing the problem of accumulation of biowaste, nitrate pollution and soil depletion, low yields, along with this, the rural population decreases quality of life because of pollution. This was evident in those businesses where the number of cattle per unit area above the average.

Manure is a significant by-product of animal production, as well as universal fertilizer which contains all nutrients. Proper use of manure is a prerequisite for intensive agriculture. Currently in the province the problem of disposal of manure is solved by the accumulation of waste and their composting. Waste is dumped in a pile, where they decompose under the influence of microorganisms happens in a natural pasteurization, where the weeds lose their germinating ability, and helminths and pathogenic germs are killed. This technology is too wasteful - wasted dissipate the heat out of the biogas, and the obtained organic fertilizer is losing up to 40% of their properties [2].

Along with this, in the world, including in Russia, there are other ways and methods of disposal of biowaste, but most of them are not effective. Compounding the problem is the need to implement regulations on the use and application of organic fertilizers. This in turn requires a careful approach to the processing of manure and its use [3].

In Europe and North America for the disposal of animal waste applied biogas technology. In Russia for the processing of biomass are also used biogas plants of various capacities. The most widespread thermophilic mode of anaerobic fermentation, requiring smaller volumes of digesters and provides a higher yield of biogas, as well as the almost complete destruction of pathogenic bacteria contained in the raw material, which is important for producing quality organic fertilizer. Produced biogas is used for incineration for heat supply to nearby consumers – farmers, industrial greenhouses, APK. On the other hand, it is more energy-intensive technology, having high sensitivity to minimal changes in temperature. However, the wide use of these plants in production is hindered by the high cost of the equipment, and the operation (contents of baklaboratorii for the cultivation of strains of microorganisms), respectively, their low economic efficiency.

Research group on resource assessment from the Polytechnic University in Madrid offered an effective solution for manure management of chickens and cattle is the production of biofuel. Biochar, a material obtained after thermal treatment of these wastes by means of pyrolysis, an organic fertilizer, which is added directly to the soil. The study, conducted by the departments of geological and mining engineering and agricultural production, shows that biochar produced from manure of cattle, pigs and chickens is organic fertilizer with a high content of nutrients, stabilized organic material and a high capacity of cationic exchange. These results show the positive effects of using biochar as a fertilizer in the soil to increase crop yields. The European Union really puts great efforts, within its strategy to promote effective use of resources. These wastes contain fertilizers, and their production has increased in recent years due to intensive farming and has traditionally been used in soil as an organic fertilizer. However, the production of a large volume and generate environmental problems have made necessary to find other ways of

disposing of waste. Stands out the thermal treatment by pyrolysis for large scale production of biochar or bio-carbon, which can be defined as carbonaceous material obtained by heat treatment of biomass at low temperatures in an inert atmosphere. In addition, the results show that the pyrolysis of manure waste has other environmental benefits such as reduced leaching of nutrients in the soil and reducing the volume of waste, removal of odor and pathogens from source material [1]. Also, due to the innovation of the resulting adsorbent. Adsorbents — regulate the water balance of soils. The cost of equipment for processing of biowaste is almost five times cheaper than Biogasoline, does not depend on the chemical laboratory, has no sensitivity to temperature changes, output – multi-functional. Biochar can be used not only for industrial applications( heating of livestock farms, greenhouses, etc.) , as well as for boilers and furnaces consumer ( e.g. the housing sector). Accordingly, this technology is not only environmentally friendly, but also has social and economic benefits.

The object of research is JSC APH "Agreers". The company is a large scale of cultivated areas (30 thousand hectares), 4500 head of cattle, the company has a complete technological cycle of production, processing and marketing, as well as diverse agricultural production.

Suggests a comprehensive solution to the disposal of biowaste. The idea is pyrolytic processing of manure with obtaining multifunctional product.

Thanks to the introduction of innovative agricultural production technology to obtain multifunctional product ( fertilizer, adsorbent, biochar) the company can turn waste into additional revenue.

The advantages of this technology:

- 1) Minimizing the number of personnel;
- 2) Organize waste-free production;
- 3) Integrated processing of raw materials by using all of the components;
- 4) Reduction of anthropogenic load on agrocenosis due to the preservation of the organic component and eliminate malware strains without disruption of the ecological balance.

The resulting biochar is an environmentally-friendly product has a number of unique consumer properties:

- Ease in stirring;
  - Burns three times longer than traditional wood charcoal;
  - The combustion temperature twice;
  - Leaves almost no ash (ash content less than 18%);
  - There is no smell when burning.
  - No sparks or flame, does not burn from dripping fat.
  - Easy to handle — Packed in a box or bag that is easy to store and transport.
  - Does not contain additives, fillers and other foreign substances.

The introduction of this technology will lead to improved quality of life by cleaning and landscaping.

### **Bibliography:**

1. Zinina O. V., shaporova Z. E. Alternative fuels and their efficiency  
Innovative science. 2016. No. 2-1 (14). S. 125-127
2. <http://www.mcx.ru> (date of treatment: 13.03.2016r)
2. [http://www.mgau.ru/file\\_article/Vestni](http://www.mgau.ru/file_article/Vestni) (date of treatment: 12.03.2016r)

## FEATURES OF THE ACCOUNTING OF PROPERTY BY REORGANIZATION OF THE LEGAL ENTITY

### **Titova A.**

The student of 3rd course of Economics  
profile Accounting, analysis and audit  
Federal state budgetary institution  
"Krasnoyarsk state agrarian University"

### **Borodina T. A.**

candidate of economic Sciences., associate Professor  
The Department of accounting and statistics  
Federal state budgetary institution  
"Krasnoyarsk state agrarian University"

**Abstract:** In article questions of the accounting of property are considered by reorganization of the legal entity.

**Keywords:** account, property, reorganization

As way of the termination of activity of legal entities and emergence of the new enterprises experts consider as a key question of reorganization succession. The main document made for date of making decision on reorganization or later date before the state registration of reorganization which determines structure and the cost of the assets and liabilities transferred as a result of reorganization is the transfer act (in case of merge, accession, transformation) or dividing balance (in case of division and allocation). However finally the structure of the transferred property, obligations and the capital is formed for date of the state registration of reorganization. At the same time the liquidated legal entities make the final reporting, and the new enterprises form the introductory reporting on the basis of the transfer act (dividing balance), the final reporting and annexes to them.

The property and obligations, the rights to which pass in the course of reorganization, is estimated by the body making the decision on reorganization of the enterprises (meeting of shareholders, participants). Any kind of an assessment applied to separate groups of objects of property can be taken by competent authority.

Indicators of accounting reports and data of accounts of accounting of the enterprises both reorganized, and again created in the course of reorganization are formed taking into account two circumstances: in the course of reorganization there is a change of the subject of the rights and duties on property and obligations of the reorganized person, the actual transfer of rights and duties doesn't happen; in the course of reorganization the system of accounting of the reorganized persons isn't transferred to again created legal entity. Therefore, in the course of reorganization the reorganized persons have to transfer to again created enterprise only information on the volume of the rights and obligations (property and liability laws). [4]

In the course of reorganization inventory of property is of particular importance. Only those objects, the rights for which will be really, have to be reflected in the inventory sheet as are transferred by the reorganized enterprises, and accepted by the legal entities created in the course of reorganization.

All assets which owing to various circumstances aren't subject to transfer or acceptance have to be written off as losses for account 91 "Other income and expenses":

Sub-account 02 D-t account 91 "Other expenses" "The other income and expenses"

Account 97 K-t "Expenses of future periods".

As the reorganized enterprises have to transfer information on the rights and duties, but not the data on accounts of accounting all the regulating and estimated accounts of accounting have to be closed. For drawing up final accounting reports of balance has to be only on accounts of the accounting of property and obligations, the rights and duties on which pass to the assignee. For date of reorganization in accounting of the reorganized enterprises the following regulating and estimated accounts have to be closed: 02 "Depreciation of fixed assets"; 05 "Depreciation of intangible assets"; 14 "Reserves under depreciation of

material values"; 16 "Deviation in the cost of material values"; 42 "A trade margin"; 44 "Expenses on sale"; 59 "Reserves under depreciation of financial investments".

Order of closing of these accounts following:

The reserves considered on accounts 14 "Reserves under depreciation of material values" and 59 "Reserves under depreciation of financial investments" are closed into accounts of the accounting of sources of their creation: other income and expenses;

Depreciation of fixed assets and intangible assets is closed into accounts of the accounting of the corresponding property - 01 "Fixed assets" and 04 "Intangible assets".

Depending on the accepted assessment of the transferred rights for property of account 16 "A deviation in the cost of material values", 42 "A trade margin", 44 "Expenses on sale" can be closed in correspondence with accounts of the accounting of property or with account 91 "Other income and expenses".

The volume of the transferred rights and obligations has to be determined in the assessment established by competent authority.

According to item 11 of Methodical instructions on formation of accounting reports at implementation of reorganization of the organizations approved by the Order of the Ministry of Finance of the Russian Federation from 5/20/2003 in N 44 N transfer as universal succession of property, obligations isn't reflected by accounting records. [3] However some experts in the field of accounting consider that for respect for comparability of data of accounting between the reorganized and reorganized economic entities, and also for observance of the principle of temporary definiteness of the facts of economic activity accounting records need to be applied. At the same time the special subsidiary account by means of which it is possible to track easily transition of assets and liabilities as universal succession has to be used, to reflect changes in the transfer act or dividing balance of the intermediate period, to make the final and (or) introductory reporting. [4, 5]

Mainly as "auxiliary" accounts the zero account, any account of calculations or the account of the accounting of own capital are offered. By reorganization the transferring enterprise for the debit of account 00 which can appropriate the name "Reorganization" shows transfer of active articles, and on the credit - passive. The enterprises accepting property reflect the return conductings. As a result turnovers of the debit and the credit of account 00 "Reorganization" have to coincide.

Transfer of assets for date of reorganization when using the zero account has to be reflected at the assignee in the assessment specified by founders in the transfer act (dividing balance) on the debit of accounts of property and the credit of account 00. If at the same time the current market value is chosen, there will be a difference between the transferred assets and liabilities: the positive difference between the current market and book value can be reflected on the debit of account 00 "Reorganization" and the credit of account 83 "Additional capital" or accounts "Retained earnings (an uncovered loss)", and the return - in case of a negative difference.

There is an opinion on the accounting of transfer as universal succession of assets and liabilities of the organization by means of account 80 "Authorized capital". The attaching party (in case of merge it can be any organization) reflects the received assets in account 80 "Authorized capital" on the credit, and on the debit - the received liabilities; the depreciable property is considered minus the added depreciation. The balance on account 80 "Authorized capital" reflects the sum of authorized capital of the uniting enterprises for the par value of shares (actions). The accounting of operations on division and allocation is also made by means of account 80 "Authorized capital" by the return conductings. [4]

Some authors suggest operation on leaving of property to reflect as a result of reorganization the same as at any other leaving, by means of account 91 "Other income and expenses" and account 76 "Calculations with other debtors and creditors", and leaving of liabilities - through account 76 "Calculations with other debtors and creditors":

D-t of accounts of the accounting of own capital (authorized, reserve, additional)

K-t 76 "Calculations with other debtors and creditors".

It is similarly offered to use account 75 "Calculations with founders". [5]

At the choice of the main account for the accounting of property by reorganization give preference to the zero account as he realizes a technical way of reflection on accounts of the accounting of transfer of assets and liabilities by reorganization. Use of account 91 "Other income and expenses" when leaving property isn't acceptable as according to item 11 of Methodical instructions transfer of assets and obligations by reorganization aren't sale or gratuitous transfer, and the financial result as a result of such operation doesn't arise. It isn't desirable to use also account 75 "Calculations with founders" as actually the property and obligations remain in property of the enterprise, and, to owners only the action (a share, a share) is transferred further to other legal entity in authorized capital of the reorganized organization as a result of universal succession.

Thus, it is possible to note that contrary to requirements of Methodical instructions on reflection of operations on property as a result of reorganization without use of accounting records they nevertheless should be applied by means of the special account for observance of continuity of data between the reorganized and reorganized enterprises, and also observance of the principles of accounting. As a result all process of reorganization will become more clear and transparent both for the guide of assignees, and for other users of the reporting.

**The list of the used literature:**

1. The federal law "About accounting" from 12/6/2011 No. 402-FZ
2. The order of the Ministry of Finance of the Russian Federation from 10/6/2008 N 106 N "About the adoption of accounting regulations" (in an edition from 4/27/2012 N 55 N)
3. The order of the Ministry of Finance of the Russian Federation from 5/20/2003 N 44 N "About the approval of Methodical instructions on formation of accounting reports at implementation of reorganization of the organizations" (in an edition from 10/25/2010 N 132 N).
4. Bezvidny O. S. Accounting and the reporting in the conditions of reorganization
5. Shumilin P.E. Development of accounting and audit of the commercial organization in the conditions of her reorganization: Dis. to. aa. N: 08.00.12. - Rostov-on-Don, 2011. - 203 pages.

# ORGANIZATIONAL-ECONOMIC DESCRIPTION AND ASSESSMENT OF THE FINANCIAL CONDITION OF LLC "VICTORY" CAME DISTRICT

## **Furman Irina**

The student of 2nd course of Economics  
profile Accounting, analysis and audit  
Federal state budgetary institution  
"Krasnoyarsk state agrarian University"

## **Borodina T. A.**

candidate of economic Sciences., associate Professor  
The Department of accounting and statistics  
Federal state budgetary institution  
"Krasnoyarsk state agrarian University"

**Abstract:** The article considers the questions connected with carrying out organizational-economic characteristics of the enterprise, as well as the assessment of the financial condition.

**Key words:** organizational characteristics, economic characteristics, the assessment of the financial condition

LLC Pobeda has been organized in 1979. The territory of economy is located in the southern part of Pirovsky district. The central estate of economy is in the village of Kirikovo. Average remoteness of separations from the central estate makes 5 km. Communication of LLC Pobeda with the regional center - the village of Pirovskoye and administrative centers of adjacent areas is carried out on the highways having an asphalt covering.

On natural agriculturally division into districts the territory of economy is carried to a taiga. Climate of economy sharply continental, with cold long winter and in the short hot summer. In general climatic conditions are favorable for agricultural activity.

The analysis of the sizes of the enterprise is the integral component of the analysis of the organizational and economic characteristic and an assessment of a financial condition of the organization. For determination of the sizes of LLC Pobeda we will consider table 1.

Table 1-Amount of production of LLC Pobeda  
Indicators Years 2014 in % by 2012.  
2012 2013 2014

1. Gross output, thousand rubles	20863	22533	26182	125,5
2. Cost of products, thousand rubles	19197	17607	15466	80,6
3. Area of agricultural grounds, hectare.	5198	5188	4095	78,8
- including arable land, hectare.	4766	4766	3673	77,1
4. Average annual cost of the fixed business assets of a primary activity, thousand rubles	20834	17361	16937	81,3
5. The average annual number of the workers occupied in production the people	65	67	56	86,2
6. Size of power capacities, h.p.	6005	6288	5897	98,2
7. Quantity of the spent electric power, one thousand kW/hour	435	436	426	98
8. Cattle livestock, усл. heads	170,54	148,4	131,2	77

Proceeding from the calculations presented in table 1 follows that LLC Pobeda is an average by the sizes the enterprise as the average number of workers is in criterion from 50-250 people. The cost of the gross output made in economy in reporting year tends to increase. However, the cost of products decreases every year. Also in 2014 in comparison with the previous analyzed years the cost of the fixed business assets of a primary activity has decreased. It is caused by the fact that the equipment has become outdated and doesn't help to restore the level of last years. The size of power capacities in reporting year has made 98,2% in relation to the level of basic year, a conditional livestock of cattle - 77%.

The production direction of the enterprise can be determined by structure and structure of products (see tab. 2.)

Table 2-Structure and structure of products of LLC Pobeda  
Types of branches and production Years

	2012	2013	2014
Products, thousand rubles. Specific weight, %			
Products, thousand rubles. Specific weight, %			
Grain	17194 89,6	13915 79,03	10893 70,4
Other production of plant growing	160 0,8	527 2,99	508 3,3
Total on plant growing	17354 90,4	14442 82,02	11401 73,7
Meat of cattle	1006 5,2	2239 12,71	4001 25,9
Cattle and bird in live weight	837 4,4	926 5,25	64 0,4
Total animal husbandry	1843 9,6	3165 17,98	4065 26,3
In total on the enterprise	19197 100	17607 100	15466 100

During the analyzed period in structure of proceeds from sales the proceeds from sales of production of plant growing – 73,7% prevail that allows to draw conclusions on the crop direction. Respectively specialization of the enterprise grain as the specific weight of grain makes 70,4%.

Further we will carry out an assessment of solvency and a financial condition of the enterprise on the basis of these otchetnost for 2012,2013 and 2014, presented in table 3.

Table 3 - Assessment of solvency and financial stability of LLC Pobeda  
Indicators of Year Standard value  
2012 2013 2014

Liquidity coefficients:			
- current	2,695	4,432	7,566 >= 2
- fast	0,244	0,8476	0,521 >= 1
- absolute	0,0056	0,2117	0,0070 >= 0,2
Coefficient of a ratio of the sum of own current assets to the sum of short-term obligations	1,695	3,432	6,566 >= 1
Coefficients of financial stability:			
- property	0,54	0,64	0,73 >= 0,6
- financial dependence	1,81	1,55	1,36 <= 0,4
<!--0--> borrowed funds	0,46	0,36	0,27 <= 0,4
<!--0--> financings	1,17	1,80	2,76 >= 0,1
- financial stability	0,77	0,83	0,90 >= 0,75
- security with own current assets	0,62	0,77	0,61 >= 0,1
- maneuverability	0,47	0,86	0,61 >= 0,2-0,5
- investments	1,33	2,29	2,64 >= 0,1
- accumulation of depreciation	0,75	0,68	0,62 <= 0,5

According to the established standards, it is considered that short-term obligations of the organization for 100% have to be repaid at the expense of the most liquid and fast-realized assets. At the analyzed enterprise value of this coefficient corresponds to the standard. At the end of 2014 at the expense of money, short-term receivables and other current assets the enterprise could extinguish 52,1% of the short-term debt.

The absolute liquidity index characterizes solvency of the enterprise for date of drawing up balance. LLC Pobeda at the end of the financial year at the expense of the most liquid assets could pay off on 0,007% of short-term obligations and respectively is insolvent for date of drawing up balance.

In LLC Pobeda share of own capital in formation of assets rather high. At the end of 2014 the property of the organization for 73% has been created at the expense of own capital and respectively for 27% at the expense of the loan capital. During the analyzed period at the enterprise values of coefficient of financial stability annually increased, values of coefficient of borrowed funds annually decreased. Values of coefficients of financial dependence at the end of the financial year were minimum – 1,36%. Thus, it is possible to recognize structure of the capital from a position of insolvency and financial stability of development satisfactory.

For more objective assessment of a financial condition of the enterprise it is necessary to analyse profitability indicators on the basis of the profit and loss report calculations which are presented in table 4.

Table 4 - Indicators of profitability of LLC Pobeda  
Indicators Years of the Deviation  
2012 2013 2014  
Coefficients of profitability (unprofitability), %:

- assets 17,31 21,34 8,14 - 9,17
- current assets 32,27 32,19 11,29 - 20,98
- investments 23,57 26,84 9,76 - 13,81
- own capital 35,13 35,74 25,11 - 10,02
- the sold products 31,20 49,96 23,15 - 8,05
- expenses 48,36 68,19 26,02 - 22,34

In reporting year the enterprise has got profit to the taxation of 5234 thousand rubles that on 3284 thousand rubles there is less profit got in 2012. Reduction of the sum of accounting profit took place on each her component: profits on sales, proceeds from sales of production, works and services, net profit.

All indicators of profitability in 2014 there are less indicators in 2012 that is explained by the decreasing growth rates of profit on sales and net profit over growth rates of proceeds from sales and separate components of assets. In 2014 the coefficient of expenses – 26,02% to the smallest – coefficient of assets – 8,14% was the greatest. This results from the fact that the sum of profit was much less than the sum of net profit.

Summing up the result of an assessment of a financial condition of the enterprise it is possible to draw a conclusion that the enterprise at the end of 2014 is in a zone of an unstable state. Not to enter a risk zone, the enterprise has to monitor the movement of own capital. Despite solvency loss, the enterprise can pay off according to short-term obligations.

#### **List of references:**

1. Titova E.V. A problem of management of risk in modern conditions (article)//Problems of development of agrarian and industrial complex of Sayano-Altai: materials interregional scientific and practical conference – Abakan, 2010. - page 65-67
2. Pyzhikova N. I., Titova E.V., Malines E.A. Control system of risks of innovative activity of the enterprises of agro-industrial complex//science Era. 2015.
3. Pyzhikova N. I., Titova E.V. Complex task of the organization effective process business//Achievements of modern science. – January, 2016.
4. Pyzhikova N. I., Titova E.V. Methodical recommendations about formation of the priority purposes of the enterprise of agrarian and industrial complex//Economy and business. – 2016.



# UNEMPLOYMENT IN RUSSIA

**Shadrina Anna Vladimirovna**

student 2 courses of institute of economy and finance of agrarian and industrial complex  
Krasnoyarsk state agricultural university  
Russia, Krasnoyarsk

**Sabirzhanova Zukhra Tagirzhanovna**

research supervisor  
Cand.Econ.Sci., associate professor of economy and agrobusiness  
Krasnoyarsk state agricultural university  
Russia, Krasnoyarsk

**Abstract:** In article topical issues of unemployment in Russia are considered. On the basis of the conducted research measures for the solution of the matter are proposed.

**Keywords:** Unemployment, labor market, employment.

Unemployment represents a macroeconomic problem which has active effect on any person. Loss of work means decline in living standards for most of people and puts a serious psychological trauma.

Unemployment as macroeconomic category, is reflection of difficulty of process of coordination of the offer of labor with demand for her. Major factors of unemployment are national traditions and a key role political adaptation of society plays. Degree of an average salary has a direct bearing on labor productivity, and is only one of the unemployment origin reasons. There are also other prerequisites some of which have a direct bearing on the Russian Federation.

It is necessary to notice that in aspects of market economy labor market arrives in the continuous movement. One firms diminish states, others increase. People retire, or leave work on other reasons. To their place of work there arrive new people, say, graduates of educational institutions. Labor market shift differently influences unemployment degree.

Rosstat has summed up the results of selective poll of inspection of the population according to employment problems as of the second week of September, 2015. The number of economically multipurpose population at the age of 15-72 years (busy and jobless) in September, 2015 has made 77,0 million people, or 53 percent from the total number of the population of the country. Among economically multipurpose population of 72,9 million people were classified as busy and 4,0 million people as the unemployed with introduction of criteria of the ILO (i.e. had no work or profitable occupation, looked for work and were ready to start her).

Respectively in comparison with August, 2015 the number of the busy population in September, 2015 has decreased by 422 thousand people, or for 0,6 percent, number of the unemployed on 35 thousand people, or for 0,9 percent. Respectively in comparison with September, 2014 the number of busy persons (without the Republic of Crimea and Sevastopol) has decreased by 79 thousand people, or for 0,1 percent, the number of the unemployed has increased on 244 thousand people, or for 6,6 percent.

The rural number of the unemployed by 4,4 times has exceeded the number of the unemployed registered in city institutions of an employment service of the population. As show materials of inspection of the population according to employment problems, in September, 2015 73 percent of the unemployed looked for work without support of the others, without assistance of employment services. Among jobless men there is a share of the employment services finding work with the help in September, 2015 has made 26,1 percent, among jobless women 28,1 percent. The most frequent is the address by job search by means of friends, relatives and acquaintances. In September, 2015 this type of search was used by 66,1 percent of the unemployed. Job search in mass media and the Internet is the second for a way of job search which was used by 43,3 percent of the unemployed.

Krasnoyarskstat has summed up the results of selective poll of inspection of the population according to employment problems in the second quarter 2015. The number of economically multipurpose population at the age of 15-72 years has made 1493,5 thousand people (52% of the total number of the population of the region). In the number of economically multipurpose population of 1400,5 thousand people were classified as occupied with economic activity, and 93 thousand people as the unemployed. Unemployment rate in the second quarter 2015 has made 6,2%

Growth of unemployment rate by 0,9 percentage points respectively in comparison with the second quarter 2014 is connected with increase in number of the unemployed at simultaneous decrease in number

of economically multipurpose population, due to reduction of number of busy. At the same time according to the relation by March-May, 2015 decrease in number of the unemployed is fixed.

Summing up the results, it is necessary to see that at present unemployment, in essence doesn't remind unemployment in her classical comprehension when recession of unemployment is connected with overproduction of different products and services, decline in demand for them. The Russian Federation is in conditions of chronic overproduction practically of the majority vital to the population of goods and services. Visible abundance of goods is defined by rather small demand connected with a low standard of living of part of the population and filling of our markets goods of foreign production. On the one hand, unemployment rate, directly reflects scales and depth of the crisis phenomena in this or that region, and with another – makes the defining impact on a sharpening of socio-political intensity and, therefore, demands the paramount account when developing the state regional policy.

When developing federal and regional population employment programmes it is necessary to consider certain specifics of Russia, proceeding at the same time the following fact: it is impossible to prevent unemployment, but it is possible and it is necessary to minimize it, at the same time softening social consequences. Also it is not only about respect for interests of the certain citizen, but also about interests of the state as at unemployment 2,5% of a gross national product will go to 8-10% only for payment of grants to the unemployed.

For the cardinal solution of problems of unemployment it is necessary to change policy of employment in a root. It is impossible to constrain unemployment passively today. Only purposeful active increase of an employment rate of the population on acting and in again created highly effective knowledge-intensive workplaces, and also by development of small and medium business, will help to bring economy out of crisis.

#### **List of references:**

1. <http://www.gks.ru>
2. <http://www.krasstat.gks.ru>
3. Macroeconomic: the textbook for bachelors / A. V. Anosova, I. A. Kim, S.F. Seryogina [etc.]; under the editorship of S.F. Seryogina. — 2nd prod., испр. and additional — М.: Publishing house of Yurayt, 2013.

# THE MARKET OF SPORT GOODS

**Olesya R. Shashina**

4th year student of the Department of marketing in agriculture  
Krasnoyarsk State Agrarian University

Russia, Krasnoyarsk

**Julia A. Olentsova**

Research supervisor

Senior lecturer of the Department of Business Foreign Language Krasnoyarsk  
State Agrarian University  
Russia, Krasnoyarsk

**Abstract:** This article discusses the sporting goods market. It is about the growth of the market volume. There are some characteristics of world manufacturers of sporting goods with the largest market shares.

**Keywords:** market, sport goods, growth, main share, monetary relations, Adidas Group, Puma Sport, consumers.

The market of the sport goods in the world is one of the largest last years its volume consists of 100 million dollars a year. According to the experts the basic share of monetary relations is 70-80 % in the sport industry. There are many famous companies such as Adidas Group and PUMA on the market of the sport goods.

According to the experts, in the sports industry the main share (70-80%) monetary relations are the share of the market of sports goods (producers, distributors, the enterprises of retail trade). In a stage of formation there is an infrastructure of the Sports industry. In 2000, according to research of the World federation of sports goods, the volume of the world market of Sports goods made 92 billion dollars. In 2006 this figure will come nearer to a mark of 175 billion dollars, in 2010 – will reach a boundary of 200 billion dollars, in 2015 – nearly 240 billion. [1]

Experts of the World federation of the industry of sports goods note that in the next 10 years the markets of Russia (300%) and China (29%) will show the greatest growth. According to their forecasts, for the same period of sale in the USA it will grow by only 14%, in EU countries – for 19%, and in Japan – for 11%.

The considerable share of consumption of sport goods is the share of the developed countries – the USA and Europe. Growth of the European sports market, according to the international organization World Sports Forum, for the last 3 years made 5,4% is more, than the cumulative growth of gross domestic product of EU countries for the same period. The most part (65%) all world production of Sports production is the share of China, however in this country there is no untwisted sports brand.[2]

The German Adidas-Salomon AG (sales volume in 1998 - 9,2 bln. dollars, in 2003 - \$10,7 billion) is in the lead in the market of sportswear, stock and footwear. It is followed by the American company Nike (\$7,87 billion), the American Reebok (3,5 billion) and the German Puma Sport (\$1,6 billion).

For over 80 years the Adidas Group has been part of the world of sports on every level, delivering state-of-the-art sports footwear, apparel and accessories. Today, the Adidas Group is a global leader in the sporting goods industry and offers a broad portfolio of products. Products from the Adidas Group are available in virtually every country of the world. Activities of the company and its around 170 subsidiaries are directed from the Group's headquarters in Herzogenaurach, Germany.[1]

Adidas goal as a Group is to lead the sporting goods industry with brands built upon a passion for sports and a sporting lifestyle. Inspired by heritage, they know that a profound understanding of the consumer and customer is essential to achieving this goal. To anticipate and respond to their needs, they continuously strive to create a culture of innovation, challenging Adidas Group to break with convention and embrace change. By harnessing this culture, they push the boundaries of products, services and processes to strengthen competitiveness and maximize the Group's operational and financial performance.

Creating value for shareholders through significant cash flow generation drives overall decision-making process. Therefore, on them focused on rigorously managing those factors under their control, making strategic choices that will drive sustainable revenue and earnings growth, and ultimately cash flow. For each of our segments, they pursue the avenues for growth which expect to be most value-enhancing, with particular emphasis on improving profitability. In addition, rigorously managing working capital and

optimizing capital structure remain key priorities for them. As always, they are committed to increasing returns to shareholders with above-industry-average share price performance and dividends.[3]

In November 2010, the Group unveiled its 2015 strategic business plan named "Route 2015". This plan is the most comprehensive the Adidas Group has ever prepared, incorporating all brands, sales channels and Group functions globally. Based on their strong brands, premium products, extensive global presence and commitment to innovation and the consumer, they aspire to outperform total market growth (both GDP and sporting goods market) and to grow bottom line faster than top line. In addition, the Group plans to lay the foundation for leadership in the sporting goods industry by outgrowing major competitor over the next five years. The plan aims at growing the revenues of the Adidas Group by 45% to 50% currency-neutral from 2010 to 2015. In addition, the Group targets a compounded annual earnings growth rate of 15% and aims to reach an operating margin of 11% sustainably by 2015 at the latest.

Consumers want choice. Whether it is the athlete looking for the best possible equipment, or the casual consumer searching for the next fashion trend, Adidas Group are inspired to develop and create experiences that engage consumers in long-lasting relationships with their brands. To maximize consumer reach, they have embraced a multi-brand strategy. This approach allows tackling opportunities from several perspectives, as both a mass and a niche player, providing distinct and relevant products to a wide spectrum of consumers. In this way, each brand is able to keep a unique identity and focus on its core competencies, while simultaneously providing Group with a broad product offering, increasing leverage in the marketplace.[4]

Speed and agility are key to outpacing the competition. Adidas Group are committed to meeting the full range of customer and consumer needs by ensuring product availability in the correct size and colour, providing game-changing technical innovations and also the latest high-end fashion product to the highest quality standards. A key strategic priority is to shorten creation and production lead times by continuously improving infrastructure, processes and systems. By sharing information from point of sale to source and vice versa, they are strive to connect and more closely integrate the various elements of supply chain, to enable quick reaction to changing consumer trends. To this end, they focus on building maximum flexibility. While leveraging the efficiency of common infrastructure and processes, the Group strives to provide tailored solutions for all business models, be it the wholesale or retail channels, or the performance-oriented or style-oriented businesses.[2]

PUMA's activities of the company are directed from headquarters in Herzogenaurach, Germany. With the objective of being "The Most Desirable and Sustainable Sportlifestyle Company", PUMA's position as one of the few, true multi-category brands is to be strengthened and the opportunities offered by the sportlifestyle market are to be systematically exploited in all categories and regions. As a multicategory supplier, PUMA is active in categories and business fields/divisions that suit its unique brand positioning, and in which permanent value increases can be achieved for the company. PUMA is positioned as a sportlifestyle brand that takes pleasure in skillfully combining sports and lifestyle influences and which strives to contribute to a better world. The above-mentioned brand positioning is to be supported by selectively expanding the existing product categories, by regional expansion, and by expansion with non-PUMA brands.

In 2009, they continued to strengthen Sport lifestyle brand through unique events and marketing campaigns – from PUMA City in Boston during the Volvo Ocean Race North American stopover to Usain Bolt's 'Who Faster?' campaign in Berlin during the World Championships. In 2009, they also refined brand manual. "10" is the very first brand manual to incorporate the four keys to success of the global PUMA Vision – fair, honest, positive and creative. PUMA's brand mission – to be the most desirable Sport lifestyle brand in the world – has not changed at all. "Joy" is what company will try to bring to the consumers and is what will differentiate their from competition – its company point-of-view. While others talk about blood, sweat and tears of sport, PUMA's recognize that they cannot be the only rewards. Rather, they'll talk about the moments of joy inherent in both sport and life. PUMA is the brand that remembers what it was like to play the game – and to play it with joy. When they think about product, about marketing, retail or anything in Business Company, the first question is: It could be the feeling of running fast on a track, or getting social with your friends playing ping pong at a bar. Joy is being the best while having fun doing it. With their fine tuned position of 'joy' and refined brand manual, "10," PUMA look forward to becoming a stronger, more confident brand and continuing tradition of fun-infused product and campaigns.[4]

The sports market plays an important role in the development of physical culture and mass sports, providing people by modern and accessible constructions, equipment, goods and services. The sport industry makes people healthy.

## **Bibliography:**

1. Devesh K., Lewis J. P. Webb- The world Economy history - U.S Washigton. 2009
2. <http://www.reportlinker.com/>
3. <http://www.statista.com/topics/961/sporting-goods/>
4. <http://www.ibisworld.com/industry/>

# PROBLEMS OF IMPLEMENTATION OF QUALITY MANAGEMENT SYSTEMS IN RUSSIA

**Irina N. Shirinkina**

4th year student of the Department of Economics  
Achinsk branch of the Krasnoyarsk State Agrarian University  
Russia , the city of Achinsk

**Elena Y. Solokhina**

scientific adviser

**Abstract:** The article is devoted to the problems of implementation of quality management systems in Russia . The author compares the administrative apparatus of the Japanese and Russian companies .

**Keywords:** quality management system, competitiveness, certification.

Now constantly the number of the Russian companies which for achievement introduce "advantages by means of introduction of quality management system" [1] that provides increase of competitiveness of products or the rendered services, with the subsequent their certification on compliance to requirements of the ISO standards of a series 9000 grows. However not always this work manages to be performed successfully and in a short time. One of the reasons is resistance of personnel caused by shortcomings of stimulation and motivation. Besides, the mediocre relation to systems of quality management (further - SMK) the managements of the organization (for "a tick - formally"), as a result, insufficient financing, and the same negative attitude of personnel towards her can be the cause.

At any relation of the management of the organization to SMK, resistance of personnel is overcome, generally by punitive measures, such as: deprivation of an award, reprimand and so forth that says that at the Russian enterprises the sufficient attention isn't paid to a problem of motivation and stimulation of personnel, and also the principle of leadership of the management.

As for the western and Japanese experts, they have realized gravity of consequences of resistance to changes for a long time and have saved up considerable experience of overcoming of this resistance.

For example, Japanese, during the work abroad and within the country, apply several principles of management, motivation and stimulation allowing to introduce most without serious consequences and quickly a control system of quality and to support her functioning and improvement. Treat such principles:

1. guarantee of employment and creation of a situation of credibility;
2. continuous presence of the management on production;
3. publicity and values of corporation;
4. the management based on information;
5. the management focused on quality;
6. maintenance of purity and about [2].

Considering the first principle of management, it should be noted that the main care of presidents of the Japanese firms is security with work, a minimum of turnover of staff, a possibility of professional growth in the company. At introduction of quality management system much attention is paid to shots, increase of their qualification, It follows from this that qualified personnel is valuable in itself, without them development of economy, recovery from the crisis and, the most important, production of high-quality production and rendering high-quality services is impossible. Besides, the creating favorable conditions is necessary for work. Just on such way there are also Japanese experts, considering even such requirements of the workers as installation of conditioners and improvement of work of the dining room, placing emphasis that it will allow to improve labor productivity and will help generation of innovative offers [2]. Experience of the Russian companies shows that creation for workers of favorable conditions of work also becomes priority at introduction of systems of quality management though many employers hold that opinion that it is possible to work also in the conditions differing from comfortable. The result of such actions is expressed in indicators of level of operational injuries, an incidence, sotsialnopsikhologicheskoy climate in collective and other not palatable consequences. If not to go into extremes, then insufficiency of care of employees is shown in lack of "return", creativity and high-quality work. Placing emphasis on satisfaction of personnel, the Russian and foreign companies try to obtain the smallest resistance from employees at introduction of SMK.

Continuous presence of the management on production promotes the solution of problems "on the place", to accumulation of innovations and their introduction to process that allows to improve him and to increase quality of products or the rendered service. Considering experience of the Japanese companies it is visible that the administrative personnel settles down in production rooms, circles of quality are organized, masters solve problems at once to avoid irresponsibility and apathy from employees who arise as a result after incident there passes a lot of time and the reason remains unnoticed [2].

If to pay attention to the Russian companies, then at once it becomes visible how the system of "floors" in most cases works. For example: management on the 4th floor, services on 2 and 3 floors, shop on the first, and not the fact that the director (as in the Japanese companies) daily bypasses all enterprise to be aware of all problems and to take adequate measures to their decision. In such cases complexity of introduction of quality management system "is available". The mediocre relation of the management, the natural resistance of personnel caused by misunderstanding of need of changes as chronic apathy and irresponsibility is already developed lead to waste of money and time for introduction of SMK. Besides, in this case one of the most important principles of general quality management - leadership doesn't work at all

managements. The strategic decision about any real quality management system out of the question [3] won't be made yet.

Publicity and values of corporation the integral part promoting introduction and maintenance in working order of SMK.

Many directors of the Japanese companies practice meetings of collective, a meeting with employees and other methods of personal contact.

When all levels of management and workers begin to use the general base of information on the politician and activity of firm, the atmosphere of participation and shared responsibility develops that improves interaction and increases productivity, in this regard meetings and meetings in which engineers and employees of administration take part, yield essential results [2].

In practice the Russian companies communication with the management or the administration consists, generally in the form of "beating", calls "on a carpet" and to that similar "pleasant" meetings. Therefore employees don't see and don't feel care from the management that causes uncertainty in itself, apathy and absence of corporate spirit in the company. Therefore, care of employees - the management priority giving opportunities for "return", high-quality work and creativity.

The management based on information plays an important role in distribution of understanding among employees of importance of implementation of requirements of consumers, by means of high-quality performance of the tasks and functions. At once the aphorism is remembered: "You possesses information, you owns a situation".

The Japanese management distinguishes an emphasis on improvement of the human relations: coherence, group orientation, moral qualities of employees, stability of employment and harmonious relations between workers and managing directors. Nevertheless, it is only one party of a medal. Other feature is significance which is attached by management to data collection, the analysis and their systematic use for increase of economic efficiency of production and qualitative characteristics of production [2].

In this regard it is controlled onto emergence of defects, both at a production phase, and at an operational phase and if he is found, then the data allowing to define the worker responsible for emergence of defect are checked. "Guilty person" is notified, measures to prevention of repeated emergence of similar discrepancy are taken. A striking example of knowledge and tracking of defects even in use, is the recent situation with a response of cars the largest producer Touo1a (1,355 million cars in Japan, North America and Europe) [4]. Remember at least one response of cars, comparable on scale, domestic producers!

Other important component of system of data are the data obtained by means of monthly accounting reports for check of results of activity. Heads surely analyze system of monthly accounting reports for exact determination of difficulties at early stages of their emergence [2].

The banal fear of punishment as, unlike the Japanese experience, we look for GUILTY PERSONS is the reason of low knowledge in our country, but we don't remove the discrepancy emergence CAUSE. Arguing logically, the following picture turns out. If not to punish, and to help the employee with elimination of the reasons of the arising discrepancies, he will go to notify the management on shortcomings of the work that as much as possible to improve it and to receive as a result qualitative production or service. Therefore, improves not only knowledge and traceability, but also quality of production and services, increases economic efficiency from minimization of costs of elimination of marriage and "alteration", the relations in collective, including between the worker and the head improve, the qualification level of employees, self-confidence increases. It is also base for lack of resistance at introduction SMK.

The Russian practice shows not so scrupulous attitude to quality of production and services. The main thing - productivity, profit, quality - again. From here the change connected with transition to quality

rails from quantity, resistance of personnel because of misunderstanding of need of changes is problematic: "We work, the profit goes what else is necessary?". But if to pay attention that the consumer wants QUALITY need of changes will become visible at once. The more the consumer is satisfied with quality of production (service), the more he will buy, the he will advise the bigger number of other consumers this brand of production. And, as a result, demand, productivity and profit will increase. The consumer "votes own purse" for those trademarks which quality of production is confirmed with business reputation and prestige of the producer. Therefore well-known trademarks very often become a subject of illegal use, and in the market there are counterfeit goods which quality is confirmed with nothing.

And last principle. One of quality essential factors of the Japanese TVs and cars are purity and an order at manufacturer. For example, smoking: the falling ashes which can damage or soil product components, not to mention foodstuff; the smoke getting into eyes promotes that the option of the wrong assembly is possible; risk of fire. Practice of work of the Russian enterprises shows that the attention is paid to purity and an order insufficient that, including, doesn't promote improvement of quality. One more reason of difficulties at introduction of SMK.

Summarizing told, there is a wish to note the main problems of introduction of systems of quality management in Russia:

- resistance of personnel;
- mediocre relation of the management;
- insufficient financing;
- misunderstanding of need of changes;
- hope "at random";
- fear;
- laziness.

Thus, the SMK system – has formal character that influences directly us – consumers. Quality of a product doesn't meet the required standards and standards. In this regard, I suggest to simplify document flow of SMK, for simplicity and convenience, by decrease in a formalism, but without influencing at the same time quality of the made product, the provided service to the end user.

**Bibliography:**

1. GOST R ISO 9000-2001 Quality Management System. Fundamentals and vocabulary
2. Electronic resource. - Access: <http://www.xserver.ru>
3. ISO 9001-2001 Quality Management System. requirements
4. Electronic resource. - Access: <http://auto.otziv.ru>



# ADOPTION OF ADMINISTRATIVE DECISIONS IN THE FIELD OF PLANT MANAGEMENT

**Shirinkina Irina**

the student of 4 course Management  
Federal budgetary establishment  
higher education "Krasnoyarsk state  
agrarian University"  
Achinsk branch

**Titova E. V.**

candidate of economic Sciences, associate Professor,  
Federal state budgetary educational institution of higher professional education "Krasnoyarsk state  
agrarian university",  
Achinsk branch

**Abstracts:** In article questions of adoption of administrative decisions in the field of plant management are considered.

**Keywords:** Enterprise, administrative decision, management, management.

At the moment one of the main and most responsible functions which are carried out by the head of the organization is adoption of the effective administrative decision. Need of adoption of such decision penetrates everything that is done by the head of any level, forming the purposes and trying to obtain their achievement. Stability of production and high economic development depends on correctness and timeliness of decisions. An important task of the head is detection of strengths and restrictions, adoption of the effective administrative decision taking into account the arisen situation. Decision-making process многосторонен, represents sequence of the stages and procedures connected among themselves by straight lines and feedback.

Decision-making by the head is the choice of the most acceptable alternative from possible options. It is possible to tell that the administrative decision is result of administrative activity. In a broader sense the administrative decision is considered as a main type of administrative work, set of the expedient, interconnected and logically prepared administrative actions providing performance of administrative tasks.

In fact, process of adoption of organizational decisions is pretty closely connected with management of the organization in general. In administrative practice there were two main approaches to decision-making: individual and group.

Within an individual approach the greatest importance is gained by decision-making centralization, i.e. the most part of decisions in the organization is made in the top management of management and, as a rule, by one or small group of managers, therefore, at the centralized approach the emphasis is tried to be placed on that decisions were made by the top management of management.

At group approach to decision-making manager of any administrative link responsible for adoption of this decision. He delegates powers on decision-making to the lowest administrative level. This approach protects chief managers from an opportunity to get stuck in the solution of minor daily problems. The main advantage of this approach consists that responsibility and the power are transferred to workers of lower levels of control that increases efficiency of the made decision as it directly infringes on their interests. From here it is possible to claim that process of adoption of administrative decisions has the intuitive, based on judgments, rational character.

All process of preparation and decision-making can be presented in the form of the following stages:

1. identification and analysis of a problem situation, definition of the purpose of the decision and criteria for evaluation of his results;
2. information cycle, an information phase for acquaintance with a question on which the decision is made (it is the most important stage, he demands the most qualified administrative work, ability to analyze, choose the best version of the decision);
3. ensuring works on implementation of the decision (development of the plan of implementation of the decision, determination of terms of performance of operations, appointment of responsible persons, instructing and other actions which can be required for implementation of the made decision);

#### 4. control of implementation of the decision.

Only at a combination of all links of management process and observance of all production cycle of decision-making this process will be carried out objectively.

There are several kinds of the decisions made in various management processes:

1. In the course of planning the following decisions are made: about the purposes; decision on a most important task and nature of business; about interaction with an external environment; about strategy and tactics which are chosen the organization for achievement of goals.

2. In the course of control the following decisions are made: about measurement of results of work; about an assessment of these results; about that, the objectives of the organization are how achieved; about correction of the purposes.

3. In the course of the organization of activity of the company the following decisions are made: about structure of the organization at change of an external environment, about structuring work of the organization; about coordination of functioning of various blocks; about distribution of powers between heads of divisions;

4. In the course of motivation of personnel the following decisions are made: about productivity of work of subordinates and about their satisfaction with work; about needs of subordinates; about satisfaction of their requirements;

It is also possible to tell that decisions are classified by several signs: according to contents (economic, information, political, organizational, technical), on the level of management (the decision of the master, foreman, director, CEO, minister), in a form, terms etc. Decisions can be the general, mentioning all enterprise, his production and economic activity, and private, concerning any subsystem or a situation. Decisions happen quick and strategic. In operational decisions terms, separate quantitative parameters, specific performers while the general tasks, the technology, shots in general remain the same change generally. Such decisions are made quickly, without big additional preparation. Strategic decisions have creative character. They provide not only quantitative, but also high-quality changes in structure of production and respectively in his results. Such decisions are a consequence of the analysis, search, calculations, disputes and reflections of big group of people. Strategic decisions are the coordinated program of the interconnected actions obligatory for performance by labor collective and directed to overcoming of the arising contradictions in production.

Each administrative decision made in a control system of the organization according to his appointment has to conform to the following requirements:

- to have a clear aim; to be reasonable, i.e. to cover the quantitative, settlement basis connecting motive of the choice of this decision from some other possible options;
- to have the addressee and dates of performance, i.e. to have a focus on specific performers and concrete dates of execution of decisions;
- to be consistent, i.e. comprehensively coordinated both with internal, and with external circumstances, and also with the previous and forthcoming decisions;
- to be competent, i.e. to be based on requirements of legal acts, normative documents, instructions and orders of heads, and also to consider duties and the rights of the management and subordinates;
- to be effective, i.e. optimum of possible concerning the expected result to expenses;
- to be concrete, i.e. to answer questions as when and where to work;
- to be timely, i.e. to be accepted when implementation of this decision still can lead to the established purpose;
- to possess sufficient completeness, brevity, clearness, to be to clear performers.

The administrative decision will be more effective if we consider the following factors:

1. The hierarchy in decision-making — delegation of power on decision-making is closer to that level at which there is more necessary information and which directly participates in implementation of the made decision. In this case performers of the decision are employees of adjacent levels.
2. Use of target interfunctional groups in which the employees who are their part are selected from various divisions and levels of the organization.
3. Use of direct direct connections at decision-making. In this case data collection and processing are carried out without address to the higher management. Such approach promotes decision-making in shorter terms, to increase of responsibility for their performance.
4. Centralization of the management at decision-making. Process of decision-making has to be under control of one (general) head.

Also the decision will be more productive if it is agreed with those whom directly mentions, or with those who helped with preparation of adoption of this decision, therefore, for successful implementation of any significant decision to expediently involve the greatest number of staff of the organization in his development.

Having considered types of decisions, process of decision-making in the work, requirements to decisions it is possible to draw a conclusion that management process is many-sided. Effectively to operate the organization it is necessary to know essence and characteristics of administrative decisions, and also their classification and relevance of their application. The administrative decision is the choice which the head has to make to execute the duties caused by the position held by him.

**List of references:**

1. Titova E.V. A problem of management of risk in modern conditions (article)//Problems of development of agrarian and industrial complex of Sayano-Altai: materials interregional scientific and practical conference – Abakan, 2010. - page 65-67
2. Pyzhikova N. I., Titova E.V., Malines E.A. Control system of risks of innovative activity of the enterprises of agro-industrial complex//science Era. 2015.
3. Pyzhikova N. I., Titova E.V. Complex task of the organization of effective business process//Achievements of modern science. – January, 2016.
4. Pyzhikova N. I., Titova E.V. Methodical recommendations about formation of the priority purposes of the enterprise of agrarian and industrial complex//Economy and business. – 2016.

# THE USE OF NETWORK TECHNIQUES IN PLANNING INNOVATIVE PROJECTS OF THE ENTERPRISES OF THE RSP

**Sergey Shkolin A.**

master 1st year students of the Department of management  
Siberian state aerospace University. academician M. F. Reshetnev  
Russia, city of Krasnoyarsk

**Konstantin Lobkov Yu.**

supervisor  
Ph. D., associate Professor of management  
Siberian state aerospace University. academician M. F. Reshetnev  
Russia, city of Krasnoyarsk

**Abstract:** we propose an approach to planning the implementation of innovative projects of enterprises of the RSP on the basis of network techniques allowing to effectively use the limited resources of enterprises.

**Key words:** innovation activity, innovation project, network model, network planning methods.

Effective activity of the enterprises of the Space-rocket Industry (SRI) in difficult economic conditions of the present period is impossible without improvement of management of the innovative activity (IA). A basis of improvement of management of IDES of the enterprises of RCP is effective implementation of the innovative projects (IP). Implementation of innovations at the enterprises of RCP within SP allows to solve the following problems of □1, 2, 3□: integrated, system approach to the solution of a specific objective (purpose) of scientific and technical development; a quantitative specification of the purposes of scientific and technical development and strict reflection of ultimate goals and results of the project in management of innovations; continuous through management of processes of creation, development, production and consumption of innovations; reasonable choice of ways of the most effective realization of the purposes of the project; balance of resources for implementation of the project; interdepartmental coordination and effective management of a difficult complex of works on the project.

The innovative project is understood as system of the interconnected purposes and programs of their achievement representing a complex of research, developmental, production, organizational, financial, commercial and other actions, appropriately organized, issued by a set of project documentation and providing effective solution of the specific scientific and technical objective (problem) expressed in quantitative indices and leading to an innovation of □2, 3, 4□.

Representation of SP as difficult complex of research, developmental, production, organizational, financial, commercial and other actions allows to use network methods of planning and management (SPU).

System of the SPU methods — system of methods of planning and management of development of large economic complexes, scientific researches, design and technological preparation of production, new types of products, capital repairs of fixed assets by application of network schedules of □5□.

SPU is based on modeling of process by means of the network schedule and represents set of calculation methods, organizational and control actions for planning and management of a complex of works. It is necessary to understand any task for which performance it is necessary to carry out rather large number of various works as a complex of works (a complex of operations, or the project). It can be both construction of some building, the ship, plane or any other difficult object, and development of the project of this construction, and even process of creation of plans of implementation of the project.

To make the plan of works on implementation of the big and difficult projects consisting of thousands of separate researches and operations him it is necessary to describe by means of some mathematical model. Such means of the description of projects (complexes) is the network model. The network model represents the plan of performance of some complex of the interconnected works (operations) set in a specific form of a network which graphic representation is called the network schedule. Distinctive feature of network model is accurate definition of all temporary interrelations of the forthcoming works.

Network models can have determined, the stochastic (casual) or mixed structure and the □6□ parameters. The determined structure means that all works of a complex and their interrelation are precisely defined. If the actual course of process changes how he is described by a network, changes are made to it, and this her option is accepted as unambiguous again. If all works of a complex are included in a network

with some probability, then the structure of the network schedule will be stochastic. In such network to each work of a complex there corresponds a certain probability of her inclusion in number of the performed works. At the mixed structure existence of separate works in a network of object is defined with some probability, other works in her have the determined character.

Specifics of realization of SP at the enterprises of RCP is implementation of a complex of actions in the conditions of risk and uncertainty. It is allowed to present SP in the form of network models with the stochastic and mixed structure and parameters which allow to solve the following number of problems: to form the planned schedule of realization of some complex of works; to reveal and mobilize time reserves, labor, material and monetary resources; to exercise control of a complex of works on the principle of "the leading link" with forecasting and the prevention of possible failures in work flow; to increase management efficiency in general at accurate distribution of responsibility between heads of different levels and contractors.

Thus, SPU is one of methods of cybernetic approach to management of difficult dynamic systems for the purpose of providing optimum indicators. Depending on specific conditions and the set requirements, can be such indicators: minimum time of performance of all complex of works, minimum cost of development, maximum economy of resources, etc.

Experience of application of the SPU methods emphasizes the following their advantages: reduction of terms of works (for 20-35%); accurate coordination of all works on time; identification solving (in sense of terms) chains of works from beginning to end developments and focusing of heads on these works; a possibility of expeditious updating of the developed plans by means of the COMPUTER; close organizational connection of all workers participating in development of this system irrespective of departmental accessory, their submission to one central operating body, etc.

Thus, the offered approach to planning and management of innovative activity of the enterprises of RCP on the basis of stochastic network methods, allows to present innovative projects of the enterprise in the form of network models with the stochastic and mixed structure and parameters. It, in turn, allows to use effectively mathematical apparatus of network models on planning and management of parameters of innovative projects.

#### **Bibliography:**

1. The basics of innovation management. Theory and practice: Textbook / L. S. Barutin, etc.; edited by A. K. Kazantsev, L. E. Mindeli. 2-e Izd. revised and enlarged. — M.: JSC "Publishing house "Economy", 2004. - 518 p.
2. Innovative project management: Textbook. the manual / Under the editorship of Professor V. L. Popov. - M.: INFRA-M, 2009. - 336.
3. Once M. L., Nikolaev V. I., Yakutia J. V., and others number of projects: 17-modular program for managers "Management development organization". Module 8. — M: INFRA-M, 2000. - 320 p.
4. Ilyenkov, S. D., Gokhberg L. M., Mosyakin S. V., Akazawa I. E. Management of innovative project. Textbook / Moscow state University of Economics, statistics and Informatics. - M., 2003. — 105c.
5. Novitsky N. And. Network planning and production management: Textbook.-practical. the grant/ N. And. Novitsky. — M.: New knowledge, 2004. — 159 p
6. Golenko D. I. Statistical methods in network planning and control, M., Nauka, 1968 – 400 S.

## *Section №3*

# Engineering and technological maintenance of production processes in the agroindustrial complex (AIC)

### TECHNIQUE OF OPTIMIZATION OF PARAMETERS AND OPERATING MODES OF MTA

**Sharoyko Ranas S**

student 2 courses of a magistracy

Institute of management of engineering systems

Krasnoyarsk state agricultural university

Russia, Krasnoyarsk

**Akchurin Stiven Yu**

student 2 courses of a magistracy

Institute of management of engineering systems

Krasnoyarsk state agricultural university

Russia, Krasnoyarsk

**Zhuravlev Sergey Y,**

research supervisor,

Cand.Tech.Sci., associate professor "Operation and repair of MTP"

Krasnoyarsk state agricultural university

Russia, Krasnoyarsk

**Summary:** In article various techniques of optimization of operational characteristics of machine and tractor units are considered and the analysis of efficiency of the presented methods of finding of optimal solutions of complex technical challenges is carried out.

**Keywords:** Optimization methods, machine and tractor unit, multicriteria optimizing task, criterion function, criterion.

Classical methods of determination of optimum parameters and operating modes of the unit are based on finding of an extremum of probabilistic estimates of his output sizes. Extrema of probabilistic estimates characterize a measure of dispersion of a random variable.

Extreme (optimum) values znergeticheskikh of the MTA L.E parameters. Ageev suggests to find by the following technique [1]:

- differentiation of function is made for calculation of population means for argument  $\bar{M}_k$ ;

- by means of a classical method of the analysis of the function  $M(y) = f(\bar{M}_k)$  at  $dM(y)/d\bar{M}_k = 0$

pay off extreme values of the moment  $\bar{M}_x^*$  and argument of  $t_n^* = (\bar{M}_x^* - M_n) / \sigma_M^*$  where  $M_n$  - the nominal

moment on an engine shaft,  $\sigma_M^*$  - the standard of the moment  $\bar{M}_x^*$ ;

- extreme values of the MTA parameters are determined by the known values  $\bar{M}_x^*$  and  $t_n^*$ .

When determining optimum operating modes of MTA as criteria of optimization are considered at most hour fuel consumption  $\bar{G}_{T \max}$ , a maximum of effective power  $\bar{N}_{e \max}$ , etc. [1].

In the course of the solution of various technical problems of functioning of difficult technical systems (it is necessary to carry MTA to their number) usually there is a problem establishments of functional dependence of output parameters from entrance, especially at casual nature of course of process.

This problem complicates and calls into question application of a classical technique of optimization of work of difficult technical systems since the majority of these methods rely on use of contradictory information on nature of behavior of the criterion function establishing connection between input and output parameters of system.

In many works for the solution of the aforesaid problem use of more adequate, less exacting methods of optimization which are, at the same time, more effective is offered. As similar methods so-called evolutionary methods or the genetic algorithms (GA) can be used. These methods consider modeling of various processes on the basis of natural evolution [2].

It is considered that GA are most effective by optimization of multiple parameter, multiextreme functions. Optimization of functioning of difficult mechanical systems means search of one or several values of the optimum depending on influence of input parameters or on value of a certain parameter at which the most acceptable result of optimization is achieved. His ability to manipulate many parameters at the same time is considered one of advantages of GA, finding at the same time the most rational solution of a problem of optimization [2].

Evolutionary methods (GA) have begun to use at the solution of certain tasks in 60 - 70 years. The GA mechanism is based on laws of genetic developments of bioorganisms. It is, first of all, the law of natural selection at development and improvement of populations and creations at the same time of the most perfect individual.

Genetic algorithms as part of evolutionary methods, use such biological terms as the individual, population, a chromosome, crossing and a mutation.

Use of genetic algorithms in problems of optimization requires submission of the decision in the form of a binary line, and also introduction to suitability function consideration (in other words qualities of the decision).

The genetic algorithm consists of several stages, namely:

1. Generation of chromosomes in a random way.
2. Decoding of each chromosome for receiving individuals.
3. Estimation of suitability of each individual.
4. Generation of new population by cloning (copying), a partial recombination (crossing) and a mutation of chromosomes of the most suitable individuals.

Main criteria (conditions) of termination of work of algorithm:

- a) The algorithm stops after the expiration of a certain number of iterations (full cycles).
- b) The algorithm stops if during a certain number of iterations the received decision hasn't been improved.
- c) Mixed: both previous criteria are applied at once.

Application of new approach to the solution of a problem of optimization of work of difficult mechanical systems needs to be considered, in this case, on the example of determination of optimum parameters and operating modes of MTA.

During the work of MTA the entering influences are random variables because their values chaotically fluctuate rather average value, and these fluctuations have continuous character. Therefore for establishment of a final type of criterion function the method of functions of casual arguments is used [2].

The preliminary analysis of functions of communication between entrance influences and the MTA output parameters shows that they are nonlinear, multiextreme and are set algorithmically, the range of definition and restrictions imposed on criterion function have difficult nonlinear character.

Thus, the problem of global optimization with algorithmically set by criterion function and functions – restrictions takes place.

Optimum operating modes of MTA can be found by means of a classical method. This technique has been given above. The main shortcomings of this method is the following:

1. Above the called criteria possess a certain discrepancy for a number of reasons. In actual practice various factors breaking coherence of action of criteria of optimization can influence estimated indicators. These factors can be variables in probabilistic and stochastic sense.
2. Proceeding from the 1st point, options of finding of the optimized size it is enough and to each option there correspond values of the optimized criterion functions. In this case search of all possible versions of the solution of a task is complicated or impossible.
3. In these conditions classical methods are inefficient to eat, therefore, need for use of a method of direct search when criterion functions and functions of restriction can be set algorithmically.

For the solution of a task genetic algorithms [2] as for them such task doesn't make additional difficulties, unlike usual approaches of mathematical programming can be chosen. Advantages of genetic algorithm:

a) lack of the strict requirements imposed on character and properties of criterion functions (linearity, camber, etc.). Only the possibility of calculation of value of criterion function in any point of search space is required;

b) it is better, than other methods works with polymodal functions and incoherent search areas;

c) universality: it is possible to apply algorithm to the solution of various tasks, without changing its structure;

d) flexibility: for the solution of a new task it is necessary to rewrite suitability function only;

e) genetic algorithms are very good in cases when:

the way of finding of the exact solution of a task is unknown;

the way of finding of the exact decision exists, but is very difficult in realization and demands big expenses of resources.

The solution of the problem of optimization of parameters and operating modes of MTA by means of HECTARE has two main options, namely: one-criteria optimization and multicriteria optimization.

If to consider an objective as multicriteria (taking for criterion maximum of effective power), then it at which criterion functions of an optimizing task accept the maximum value will be the optimal solution of a task, naturally.

Using the corresponding mechanisms of work of HECTARE, it is possible to reduce as much as possible by selection of certain characteristics and parameters of the engine or a tractor negative influence of random entrance factors on such difficult system as the machine and tractor unit.

As variables the frequency of rotation of the diesel and a torque, draft force on a traktor hook, etc., and also their coefficients of a variation, etc. can be used. Varying the above-named variables of optimization with use of a technique of HECTARE, we have a possibility of selection of such regulatory characteristic or traction characteristic of a tractor in the presence of which their deformation under the influence of variable external factors will be minimum.

At the same time it is necessary to consider parameters and characteristics of the diesel and the devices which are responsible for course of the regulatory (traction) characteristic in actual coordinates.

#### **Literature:**

1. Ageev L.E. Bases of calculation of the optimum and allowed operating modes of machine and tractor units. – L.: Ear, 1978.
2. Zhuravlev S.Yu. Terskov V.A. Application of genetic algorithm by optimization of functioning of difficult mechanical systems / Zhuravlev S.Yu. Terskov V.A. Messenger of KRASGAU. - 2008 No. 4. Krasnoyarsk state agricultural university. Page 148-153.



## FEATURES OF PROTECTION OF METAL FROM THE RUST IN MODERN CONDITIONS

**Andreev Alexander Anatolevich**

The master of 1 year of training a direction "Agroengineering"  
Krasnoyarsk state agrarian university  
Russia, Krasnoyarsk

**Medvedev Michael Sergeevich**

The supervisor of studies  
к.т.н., the senior lecturer of chair «Operation and repair of mashinno-tractor park»  
Krasnoyarsk state agrarian university  
Russia, the city of Krasnoyarsk

**The summary:** in article the problem of influence of corrosion on metal and ways of protection of metal from corrosion is described.

**Keywords:** corrosion, metal, electrolyte, struggle against a rust, acid, the car, protection.

Upgrading of cars, increase in their durability and profitability at operation are important economic problems. Endurance and reliability of work of cars appreciably depend on their firmness against corrosion destruction.

Losses from metallic corrosion in the world make now more than 80 billion roubles a year, thus is irrevocably lost about 10 % of extracted metal. But metal collapses not simply - collapse and products from it which cost in certain cases in thousand times surpasses cost of the metal become unfit for use. Significant corrosion losses are a share a motor pool. Environmental growth, use of more thin sheet steel, for manufacturing of bodies, application of korrozionno-aggressive substances for glaze ice prevention on roads, insufficient quantity of garages and variety of other factors have put forward a problem of protection of cars from corrosion in number of the major [1].

By the most careful calculations, owing to application of chemical means of struggle against ice the durability of cars decreases approximately for 3 years. Results of researches of influence of application of salt have shown that in the countries of the Central Europe for 3 winter months 68 % of corrosion defeats of cars are necessary. In turn, these of 68 % corrosion defeat are caused by atmospheric factors (29 % of corrosion) and application means (39 % of corrosion).

However in the general process of corrosion destruction of the car electrochemical corrosion mainly in connection with much *большой* in comparison with the chemical has in its speed major importance.

The estimation of durability of a product in corrosion mediums is actually reduced to definition of corrosion rate of metal of which it is made, and to calculation of endurance by division of a stock of wall thickness into corrosion rate. Such approach allows to predict correctly a resource at uniform corrosion of its elements. However uniform corrosion is observed approximately in 1/3 cases from all cases of damage, and concept uniform corrosion - a symbol as in actual practice non-uniformity exists always.

Non-uniformity of corrosion of agricultural machinery is caused by many reasons, as determined - distinction of loadings on different plots of a surface, and stochastic - the caused casual combinations of physical and chemical properties of metal, its stressed state on various plots of a surface and many other reasons.

Paint coatings are not monolithic, and have a loose structure. They consist of the plots of various density penetrated by numerous capillary channels (pores). Distinguish two kinds of pores: true (microscopic in diameter 10<sup>-2</sup> ... 10<sup>-4</sup>cm) and structural (hollow intervals between separate complexes of macromolecules in diameter 10<sup>-5</sup> ... 10<sup>-7</sup>cm). The true pores formed in most cases in the course of drying of a film, pass gases, ions and liquid molecules. The structural porosity depending on composition binding and a structure of its molecules, defines degree of a swelling capacity of a covering.

At contact of a covering with water and solutions of electrolytes there is a liquid infiltration through pores films (diffusion), and also moisture adsorption by active sites film-forming (inturgescence).

Moisture infiltration is accelerated, if in a film or under it there are water-soluble matters. Therefore a swelling capacity of a covering increases even at partial solubility of a pigment or at presence in it of the rests of electrolytes. Inturgescence of a film causes volume increase, and presence of salts - covering inflation that leads to increase of internal stresses in it and to the subsequent scaling from a substrate [2].

Elimination of the reasons of corrosion would be the ideal decision. However it is achievable only in the limited measure, preservation of cars in volvas from polymeric films, in containers with drained air or nitrogen manages very expensively and consequently is applied only in special cases. Preservation of the car and its крупноразмерных knots and aggregates by means of packing ингибированных papers is not applied in view of complexity and small efficiency.

All modern methods of struggle against corrosion can be divided into some groups: application of electrochemical ways of protection of products, use of sheetings, designing and discharge innovative, высокоустойчивых to processes of a corrosion of constructional materials, introduction in the corrosion medium of connections, capable to reduce corrosion activity, rational building and operation of details and constructions from metals.

For today to struggle against corrosion apply an organic nonmetallic coating.

The most widespread and rather simple variant of protection of metals from a corrosion, known is more narrow very much for a long time, use of paint-and-varnish compositions admits. Anticorrosive processing of materials by such connections is characterised not only simplicity and cheapness, but also following positive properties: possibility of drawing of coverings of different colour shades, simplicity of restoration of a blanket in case of its damage, anticorrosive processing by non-metallic inorganic coverings [3].

Corrosion protection is a priority problem not only for agriculture, but also for all industries as a whole. On the basis of the received data on annual volume of replacement of objects having a material subject to corrosion, it is possible to draw breeding that because of wrong protection annual expenses for replacement can reach 2 percent from all volume of a used steel.

#### **Bibliography:**

1. Gureev A.A. protection frame of cars from corrosion / and. A. Gureev, Ju.N. Shehter, I.A. Timohin - M; transport 1983. - 208 with
2. Toropynin S.I.technolog and means of restoration of paint coatings of agricultural machinery without removal of products of corrosion / S.I. Toropynin, M.S. Medvedev, //Vestnik KrasGAU №9. - Krasnoyarsk, 2009. - With. 116-121.
3. Medvedev M.S. Forecasting of durability of paint coatings in farm-production / M.S. Medvedev//the Appendix to Vestniku KrasGAU. The receiving tank of scientific articles №6. - Krasnoyarsk, 2010. - With. 36-39.

# MECHANIZED REJUVINATION HERBAGE ON MOUNTAIN PASTURES

## **Begidov Muhamed Aslanbievich**

Undergraduate of 1st course of "Agroengineering"  
FSBEI HE "Kabardino-Balkarian State agrarian University named after V. M. Kokov"  
Russia, Nalchik

## **Mishkhozhev Azamat Aslanbievich**

Research supervisor  
Department of Agriculture Mechanization Assistant  
FSBEI HE "Kabardino-Balkarian State agrarian University named after V. M. Kokov"  
Russia, Nalchik

## **Kniga Yuriy Anatolevich**

Research supervisor  
Ph.D., Associate Professor, Department of Agriculture Mechanization  
Achinsk branch of the Krasnoyarsk State Agrarian University  
Russia, the city of Achinsk

**Abstract:** The paper analyzes the use of a knife harrow for shallow tillage degraded mountain pastures which promotes more effective resumption of grass eaten by cattle, cereals and legumes, mainly rhizomatous and proliferous plants (rump, wheat grass, fescue, white clover, vetch east and others).

**Keywords:** rhizomatous grass and weed forming, knife harrow, heavy disc harrows, productivity, mountain pastures

The abundance and rhizomatous weed forming eaten grass on sloping lands mountain and foothill areas of central Caucasus contributes to soil stability to the processes of denudation, including water erosion. In turn, their active renewal by underground vegetative organs provides a relatively high resistance in their plant communities. Among these herbs almost all kinds of cereals (wheat grass, Rump, fescue, foxtail, etc.), As well as a number of pulses (vetch east, clover white lyadvenets Caucasian and others.), As well as representatives of other families (nard, comfrey).

Immoderate exploitation of forage land, particularly in pastoral mode of use, causes significant soil compaction and, as a consequence, loss of grass and weed forming most of rhizomatous grasses. Thus, the observation of seyannymi herbage, conducted in 2013, the year of the tract Kurata on gently rolling slopes with a gradient 10-140, stacked sod-meadow soils, followed by hay-pasture use, noted a gradual compaction of soils with 1,24-1,27 g / cm<sup>3</sup> in 2013, the year prior to 1,37-1,39 g / cm<sup>3</sup> - in the 2014th. Determination of bulk density of soil was performed twice during the growing season, for 2013 and 2014 GG in the second decade of July and the first - in September. It was noted that in 2014, the year of the bulk density of the soil has increased compared to 2013 ohms at 0.08-0.12 g / cm<sup>3</sup>. A significant increase in bulk density of the upper 10 cm soil layer in 2014, the year due to the abundance of rainfall and grazing cattle on the wet ground.

It is found that as the amount of compaction and clover plants rump decreased respectively 15.5 and 16.7 times and 4.9 times galega (Fig. 1).

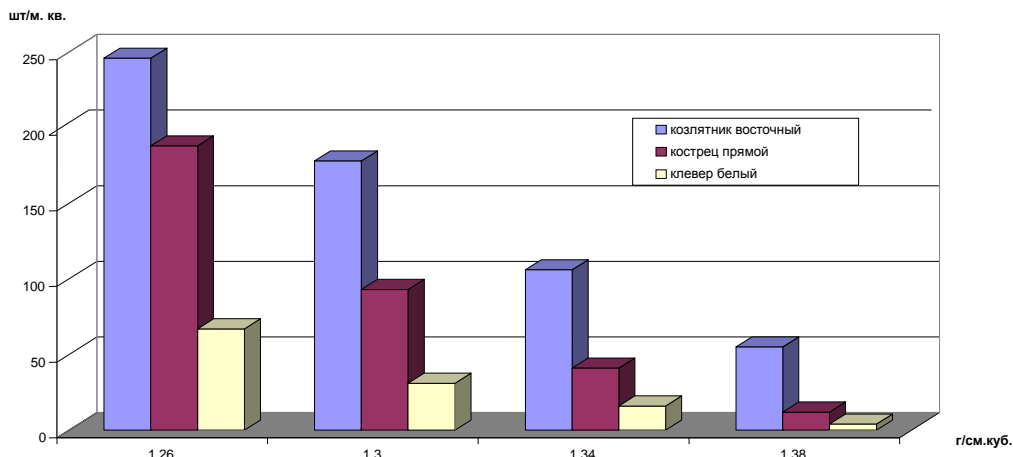


Figure 1 - Change in the number of food plants bushes with an increase in volume

Less significant loss of milk vetch plant grass due mainly to higher plant population in the period after sowing.

In order to restore a plant stand of plants dropped, us, after cutting at the beginning of July 2013 laid the experience in the areas with the most sparse herbage. For this purpose, the conventional disc harrows with the production of discs into a vertical position and with the direction of the course of their guns, that is, with zero angle cutting. Alternatively, use the knife harrow KUOSA-3,3B, knives are installed on the processing depth of 10 cm.

Depending on the tools used has changed significantly moisture regime and the bulk density of the soil, especially in the 0-10 cm horizon (Table. 1).

Table 1 - Changes in soil moisture and its bulk density in the processing of various instruments pastures.

treatment options	years	Soil moisture,%		Bulk weight, g / cm <sup>3</sup>	
		0-10 cm	10-20 cm	0-10 cm	10-20 cm
knife harrows	2013*	18,3	19,2	1,23	1,26
	2014**	24,7	25,3	1,25	1,26
heavy wheels	2013	17,6	18,8	1,26	1,28
	2014	23,3	25,0	1,27	1,29
Control, untreated turf	2013	16,1	17,1	1,31	1,35
	2014	22,6	24,7	1,32	1,35

\* September 2013 \*\* June 2014

Already in September, that is, one month after the mowing of grass and soil loosening its moisture on application, the blade grooves was on average 2.1% higher than in the control and 0.5% in comparison with the option of using heavy disc harrows. However, a marked reduction in the bulk density of the soil at both compared with the control embodiments. It is characteristic that the smaller the bulk density of the upper layer of the soil and its moisture content, to test its treatment options are preserved and in June, 2014.

On tillage harrow blade version in the upper 10 cm layer of the soil is practically no clumps larger than 3 cm. In addition, these chunks are mixed with crushed plant residues. On tillage variant disc harrows large, more than 5 cm, lumps constitute 45-62% by weight. Large lumps quickly dry out, which affects the overall moisture content in the horizon 0 -10 cm.

As a result of treatments in September 2013, and in 2014 was a significant change in the quality of grass on his botanical composition and productivity of grasses (Fig. 2).

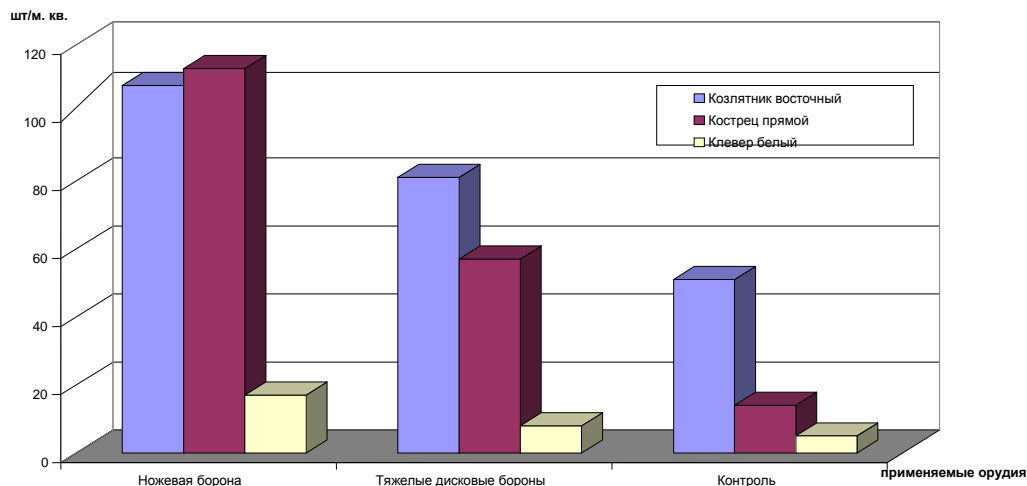


Figure 2 - the regrowth of plants with soil loosening. As of June 2014

From the above it is clear that direct on the rhizome rump version loosening the blade groove, exceeds the density recovery plant stand bush vetch east, and against the background of the use of heavy disc - on the contrary. This pattern of regrowth by the fact that parts of the rhizome on diskovannyh rump not only cut, but also are turned to the surface. Compared to the control in either embodiment of the soil loosening regrowth herbs studied were significantly higher.

On variants improve agro soil properties as a result of mechanical handling its upper 10 cm layer of herbage productivity increased substantially in the next 2 years after the laying of the experiment (Table. 2). Against the background pasture processing blade harrows and heavy disc harrow with the introduction of 200 kg / ha nitroammophos renewed herbage productivity increases in 1.7-2.6 times.

Table 2. Changes in herbage productivity and depending on the mechanized tillage pastures and hayfields

Options tillage	years counts	Harvest raw green weight				
		Total season, t / ha	Including cereals and legumes		The% of control	
			t / ha	share in herbage,%	Total for the season	Including cereals and legumes
knife harrows	2013	68,3	45,4	66,5	254,9	275,2
	2014	77,6	56,2	72,4	239,5	272,8
	2015	90,2	63,9	70,8	255,5	285,3
On average over 3 years		78,7	55,2	69,9	249,8	278,8
heavy wheels	2013	47,2	30,4	64,4	176,1	184,2
	2014	56,8	44,8	78,9	175,3	217,5
	2015	59,3	45,1	76,1	168,0	201,3
On average over 3 years		54,4	41,1	73,1	172,7	207,6
Control, untreated soil	2013	26,8	16,5	61,6	100	100
	2014	32,4	20,6	63,6	100	100
	2015	35,3	22,4	63,5	100	100
On average over 3 years		31,5	19,8	62,9	100	100
NSR <sub>05</sub> for average over 3 years		20,6	14,7	7,6		

\* - Eaten in the amount of weight for 3-4 grazing

The data show that both the soil and the treatment options to control the yield of green mass eaten each year increased, due mainly to the regime of precipitation. During the growing season in 2014 and 2015. In comparison with 2013 rainfall has dropped by 19 and 23%. Thus in 2014 a significant difference observed in the second half of the summer, and in 2015 in the period from May to the end of July and from September to November.

Nevertheless, despite the difference in the mode of the current trend of precipitation in herbage weight retained, although in different relative values with respect to the control. It was smaller in relation to the control than in the other two years when processing knife harrows in 2014m, the difference in the productivity of pastures. At the same time the processing of heavy disks lesser was the difference in 2015

than in 2013 and 2014-ohm. At the same relative changes in crop grasses and legumes in the pasture treatment options similar to the changes of all grass.

During the experiment we performed Bookmarks account productivity test weapons. In the embodiment, the use of a knife harrows for 1 hour processed 1.72 hectares of gently rolling slopes, and heavy disc harrows - 1.23 hectares. In this case, after the work stabbing harrows field surface remains uniformly loosened, which contributes to the absorption of the active pull-down heavy rainfall. The use of disc harrows with the installation of the sod cutting results in the formation of deep cracks do not that does not allow processing along the slope.

In general, the use of an average cutter harrow provides not only an increase in the productivity of the machine, for 3 years, but also increase the harvest of green mass of forage grasses by 44.7% compared to treatment with heavy disc harrow, and 149 and 73 %% respectively, compared with the control.

Importantly, the increase in pasture productivity in the knife harrows treatment options does not require seeding of grasses, and is due to regrowth of cut scions and rootstocks.

#### **Bibliography:**

1. Mishkhozhev A.A Assessment of the energy expended in the application of the modified ploskorez on hillsides // NovaInfo.Ru (Electronic Journal.) - 2016 - number 41; URL: <http://novainfo.ru/article/4366>
2. Mishkhozhev A.A., Ashinov A.M, Energy rating application with plane on the slopes of the Kabardino-Balkarian republic // Actual questions of development of agricultural science in today's economy: .2015. pp 215-216
3. Mishkhozhev A.A. On the selection of rational parameters of the modified ploskorez to assess the degree of influence on the workers Ogrons tractive resistance unit // NovaInfo.Ru (Electronic Journal.) - 2016 - number 41; URL: <http://novainfo.ru/article/4539>
4. Mishkhozhev A.A., Afasizhev T.A., Hezheva Z.H. Effect of treatment on ploskoreznoj vegetation forage lands // IV-I Interuniversity scientific conference staff, undergraduates and students of agricultural universities SKFO ".2015g. 94-97 p.
5. Mishkhozhev A.A., Gordogozhev Z.M. Energy efficiency plokoreznoy Surfacing mountain pastures // IV-I Interuniversity scientific conference staff, undergraduates and students of agricultural universities SKFO ".2015g. 100-102 c.

# GRAIN ELEVATOR FOR MINI FARMS

**Evgeny Y. Voronov**

4<sup>th</sup> year student of the Department of Agroengineering  
Achinsk branch of the Krasnoyarsk State Agrarian University  
Russia, the city of Achinsk

**Olga V. Pilyaeva**

Research supervisor  
Cand.Tech.Sci., associate professor Agroengineering  
Achinsk branch of the Krasnoyarsk State Agrarian University  
Russia, the city of Achinsk

**Abstract:** Drying and storage of grains in small batches very hot topic in the farms. We offer as possible to complete the mini elevator and what benefits will follow from this.

**Keywords:** grain dryer, grain elevator, farm, ventilation system.

Today, many farms are engaged in cereal crops, have some difficulties associated with the storage of harvest. To take the grain to the larger elevators sometimes it is simply not profitable from an economic point of view. Therefore, more and more farmers are building their own mini-elevators and store them in the grain. The aim of this work is to conduct a meaningful analysis of the existing mini silos, identifying the positive and negative sides. Mini elevators come in different design versions, for example, one type of tent hangars. The construction of this type hangars is quite fast and does not take away many forces. The fact that such type of hangar facilities refers to buildings prefabricated type. Grain in a grain Elevator can be stored directly on the floor or for storage in the grain Elevator provides specialized bunker systems. Storage of grain in the hopper is more appropriate, as in this case, better grain storage, to ensure a high level of safety. All the mini elevators have significant distinctive features, which are limited to constructive differences, due to these design differences of the mini elevators differ from other similar large installations. The volume of grain that can be stored in farm silos varies from five hundred to two thousand tons of cereals. It should be noted that the use of this type of elevators on his farm is quite productive. No need to spent on the transportation of grain, it is possible to continuously control the storage process. Over time, after the construction of the Elevator can be equipped with a more modified technique. [1] A very advantageous constructive variant, when the grain Elevator is a grain dryer and grain warehouse at the same time. The Elevator works as a floor dryer. Grain stored in specially equipped warehouse. The drying process occurs by high-performance ventilation system. To equip this Elevator is quite simple if you have a special low-cost equipment. Along the floor of the compartment for filling grain are perforated wave-like channels that are connected to a common ventilation duct. The box also performs the function of fourth partitions separating storage of crops. So it will be always above the filling level of the grain. The duct connects the supply fan, which pushes air into the ventilation duct, and he distributes it through perforated channels located under the grain. Thus, the air passes completely around the grain at the same time. Need a moisture control system air inlet flow. She should turn off the fan during the bad and wet weather. For such cases, you may have to purchase a heat gun, but to connect it to the grain Elevator after the fan installation, so as not to reduce the life by overheating of the bearings. Heat gun will dry the air in the drying process of the crops in bad weather. Outdoor dryer is the heart of a grain Elevator. We will use the practical example for further calculations. It can then be scaled and re-count, starting from the baseline sample. The area allocated to grain Elevator compartment is 6 x 9 meters, that is 54 square We will need channels, which are formed of perforated wave-like troughs. These troughs produce metal-processing plants. A gutter size 120 x 50 x 30 cm this gutter in this area will be required 66 pieces. The last chute in each row of vent must have a cap. The distance between the rows of ventilation channels is 50 cm and box-shaped Central ventilation duct can be made of plates of plywood (8mm thick) and a wooden beam with cross section 5 x 5 cm the Main thing is that a homemade air box was sealed. You can use a special hermetic glue when assembling the box. Given the size of the grain branch, box size shall be: 6 x 0.8 x 1.7 meters. For the same volume of ventilation ducts is necessary to supply inlet fan installation performance -10900 cubic meters/hour and capacity of 4kW. The utilization level of grain depends on its moisture characteristics. If the humidity of the grain mass is 20% and above, the height of the load storage of harvest should not exceed 1 meter. But if moisture level is 17%, then you can increase the load up to 1.5 meters. If the grain is cleaned and well dried, then the storage will not need any special conditions. All you need to do for the farmer is to maintain a certain level

of humidity, as well as to deal with pests in the warehouse. It should be remembered that grain storage is a critical component of the infrastructure of the grain market, which allows to predict the volume of offers and prices on grain. The right technology enables to eliminate the loss of weight of grain and respectively to get the expected profit. [2] Summing up I would like to mention the following that mini elevators with the function of the dryer are a number of positives:

1. Providing quality drying of food grains, oilseeds and forage.
2. The possibility of drying material of any initial moisture content, conditioned in one cycle without losing quality.
3. High uniformity of drying due to the technology and design of the dryer.
4. The minimum energy consumption for drying and storage of harvest.
5. Flexibility in equipment design.
6. High resistance to fire.

**Bibliography:**

1. <http://www.greenrussia.ru> (date of treatment: 01.03. 2016).
2. <http://businessideas.com.ua> (date of treatment: 01.03. 2016).



# THE HEAT GENERATOR PYROLYSIS

**Ruslan R. Gajnullin**

student of the correspondence Department directions  
35.03.06. Agroengineering»

**Yuri A. Kniga**

Research supervisor, PhD in Tehnikal Science,  
assistant professor, Departament Agroingenerii  
Achinsk branch of the Krasnoyarsk State Agrarian University  
Russia, the city of Achinsk

**Abstract:** presents the design and principle of operation of the heat source using waste oil as fuel, the device can be used for drying grain or heating of the building

**Keywords:** the drying agent, temperature, heat exchanger, waste oil

The conditions of the Krasnoyarsk Krai are characterized by high humidity, remove the loaves (25%), which causes the need for drying in preparation for long-term storage. For these needs in the educational farm has a dryer SSPG-8 generator which uses diesel fuel, which at current prices is extremely expensive [1]. Therefore, we have aimed to reduce the cost of drying grain in the learning economy "Kanonerskiy" through the use as fuel of a heat source for waste oils of different types, without their preliminary preparation (cleaning, filtering, heating etc.) To achieve the goal of the task was to develop the design of the heat source using waste oil. From the current level of technology known commercially available samples of grain dryers heat generators fuelled with liquid fuels. The closest and selected as a prototype of the claimed utility model is the furnace on waste oil [2], comprising a housing with a viewing aperture aligned with the combustion chamber with the rows of holes, the heat exchanger, integrally formed with the nozzle of the flue gases. The lack of commercially available models of generators is the high price of fuel used; the disadvantage of the utility model 125680 U1 and the prototype are the inability to use only for heating the air flow, wherein most of the heat is dissipated by radiation into the surrounding space. The main technical result of utility model is the possibility to use all the obtained combustion heat for heating the air flow, ensuring complete combustion of the fuel without preparation (spraying, cleaning, heating). Said technical result is achieved in that the heat source of the dryer of the pyrolysis (see Fig.), the furnace contains a heat exchanger which is located the door of the furnace, the fuel supply pipe, three rows of air holes in the combustion zone, two pipe convection set at an angle to the horizontal surface, chimney, the lower part of the furnace forms a pyrolysis bath; outside furnace-the heat exchanger is closed by a casing, in which the side is made of the inlet box, and the top of the sleeve graduations, the casing has an outer thermal insulation. The proposed utility model of the heat source of the pyrolysis furnace contains a heat exchanger 1 in which is located the door of the furnace 2, the fuel supply pipe 3, three rows of holes 4 for supplying air into the combustion zone, two convection tubes 7 arranged at an angle to a horizontal surface, the chimney 8, the lower part of the furnace forms a pyrolysis bath; outside furnace-the heat exchanger is closed with cover 6, in which the side is made of the inlet box 5, and the top – sleeve outlet 10 connected to the fan 12; the casing 6 has an outer insulation 11. The work of the claimed device is as follows. Waste oil through the fuel supply pipe 3 is poured into the furnace-the heat exchanger 1, to a level not reaching the lower edge of the furnace door 3 to 5 cm, forming a pyrolysis bath, upon reaching the specified level the flow is stopped. The ignition of the fuel poured into the furnace-the heat exchanger is performed using a torch of rags soaked in used fuel, placing it on the surface of the pyrolysis bath is through the door of the furnace 2. Initially, the fuel burns in the area nearby to the torch, and then over its entire surface.

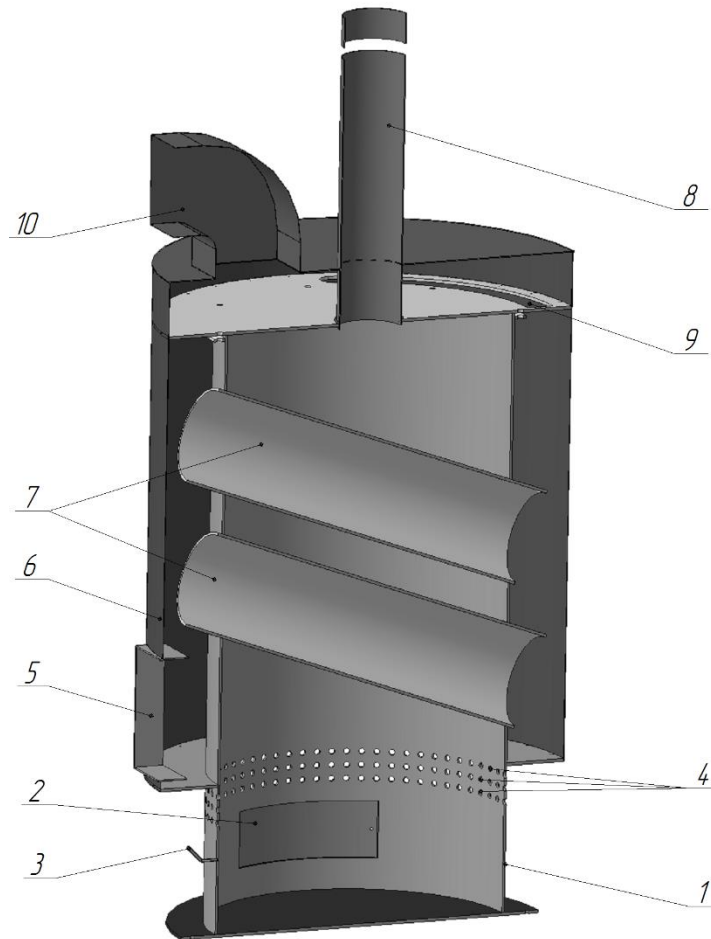


Figure – construction of a heat generator on waste oil (breakdown of positions in the text)

Then, the entire volume of fuel is heated to a temperature sufficient to in sub-surface layer began its intensive decomposition (pyrolysis) in which combustible gases are allocated, rise to the surface of the burning fuel ignited and there, lifting up the body of the furnace-burn of the heat exchanger, mixing with the air coming from the holes 4. The flame and the flue gases are washed by the inner surface of the combustor-heat exchanger and the outer surface of the pipe 7 convection, warming them. Adjusting the intensity of combustion is performed by changing the position of the furnace door 2, the magnitude of the air supply in the combustion zone is changed. The level of fuel in a pyrolysis bath is maintained at the initial level. Flue gases are removed through pipe. During heating of the furnace body and heat exchanger tubes convection to a temperature of at least 200 °C. With the fan 12 operating at a vacuum, atmospheric air is sucked into the inlet port 5 and is held in the cavity formed between the combustor housing and heat exchanger casing 6, passes through the convection pipe 7 and further through the penetration window 9 into the upper part of the furnace-heat exchanger, enters the sleeve 10 and the exhaust fan 12, where it is piped into the dryer. The existing slope of the pipes of the convection will create updrafts by convection, which complicates the trajectory of movement of heated air and which contributes to the intensification of heat transfer. Exterior thermal insulation 11 gives you the opportunity to use the heat only for heating the sucked air and a fan to minimize heat loss to the atmosphere. The proposed design of the heat source of the dryer pyrolysis enables the use of cheap fuel, has a simple design; the heated air is non-toxic, as it is not mixed with the combustion products. The proposed utility model can be used as a stand-alone heating plants domestic and industrial premises, premises for agricultural purposes. Economic efficiency is that the fuel used waste oil, which has a very low cost.

#### **Bibliography:**

1. Gainullin R., A. Y. Kniga/ Project of the heat source of the dryer SSPG-8 that uses waste oil for training economy "Kanonerski. ""The age of science" electronic periodical number 4 December 2015.
2. **Online resource:** : <http://konstryktorov.net/izobreteniya/chudo-pech-na-otrabotke/>

# PLANT FOR PURIFICATION OF OIL BY THE ELECTROSTATIC METHOD

**Gordeev Maksim Pavlovch**

Student of the Siberian State Technological university (SibSTU)  
Russia, Krasnoyarsk

**Fedchenko Victor Borisovich**

research supervisor - Candidate of Technical Sciences, Docent of Branch of Cars, tractors and forestry machines

Siberian State Technological university (SibSTU)  
Russia, Krasnoyarsk

**Annotation:** Research objectives are: studying of methods of purification of oil and working liquids, the offer of constructive decisions which will allow to make cleaning with an electrostatic method and to increase reliability of hydraulic actuators of cars in various fields.

**Keywords:** working liquid, purification of working liquids, electrostatic cleaning, plant for purification of oil by an electrostatic method.

Application and operation of oils depends on their properties and characteristics. Eventually operation they lose the properties, and at untimely to their replacement, the speed of wear of details increases. For extension of service life of oil use cleaning installations which are chosen depending on properties and characteristics of oil. Also properties of oil influence time of his cleaning and a way of cleaning.

For hydraulic oil it is enough to use only cleaning installations, restoration of engine oils, besides cleaning installations, his dosage is required by new oil or additive materials. The volume of the dosing liquid depends on property of the purified oil [1].

Products of pollution can be divided into two main groups: organic and inorganic. Organic consist generally of the products of thermal decomposition, oxidation and polymerization of oil and products of incomplete combustion of fuel getting to oil from the combustion chamber; inorganic — from soil dust and particles of wear of details. Besides, water, compounds of sulfur and lead (together with products of incomplete combustion of fuel and gases), and also dirt (the foundry earth, slag, metal shaving, the cleaning ends, etc.) remained in the engine after his production [2] get to oil.

Proceeding from evidence of negative influence of pollutants on reliability of the equipment, there is a problem in cleaning and regeneration of the used oil as it in itself rather expensive product, and need for his replacement exists regularly. At the same time there was a problem of a regulation of an order of maintenance of purity of industrial liquids, according to GOST 17216-2001 "Purity industrial. Classes of purity of liquids", it is necessary to notice that this problem has been realized around the world therefore there are similar international standards on purity, for example ISO and NAS. With the advent of need for cleaning, there was necessary an emergence of the installations based on various methods of cleaning which are carrying out her. It is necessary to notice that such installations have appeared quite a lot in various executions and the various principle of action. However, the main, filter elements (a filtering method), centrifuges and installations using various adsorbents (a separator method) and an electrostatic method are.

The idea of an electrostatic method consists in an oil transmission through electric field [3] at which, polar particles are besieged on the electrodes creating this field (process of an electrophoresis), and neutral particles thanks to the special element (crepe paper) which is between electrodes which distorts electric field, settle on this element in places of the greatest intensity (dielectrophoresis).

Filters of cleaning [4] and [5]. dielectric liquids are intended for purification of industrial and turbine oils of particles of the pollution having limit of the section of the phases "particle-liquid" and which dielectric permeability differs from dielectric permeability of the purified liquid. Such conditions are answered by overwhelming number of mechanical impurity in these oils. At interaction of external electric field and the field of particles of pollution of a particle of pollution are pulled out from a stream of liquid and stick to special cells of the electrostatic filter.

Justifications of the choice of the equipment.

Application of installations for electrostatic cleaning provides deep cleaning of pollution, including the most aggressive loaded and dipolar particles consisting of metal, fiber glass, oil oxidation products to submicronic level, and prevents sparking in oil in comparison with ordinary filters. Oil becomes so pure

that it gradually dissolves and clears internal surfaces of the equipment and oil system of pollution. It reduces risk of refusal of hydraulic system, and also prolongs oil service life.

Advantages: portability, can directly be used near the equipment; considerably prolongs oil service life (three times); prolongs service life and improves work of details and units of hydraulic system; minimizes need for additives and catalysts of aging of oil; simplicity in operation.

Shortcomings: there is a problem with the content of water in oil as water is a conductor. Therefore such method we will apply only to oils with the content of water no more than 500 ppm (on each m<sup>3</sup> of oil makes 500 ml of water).

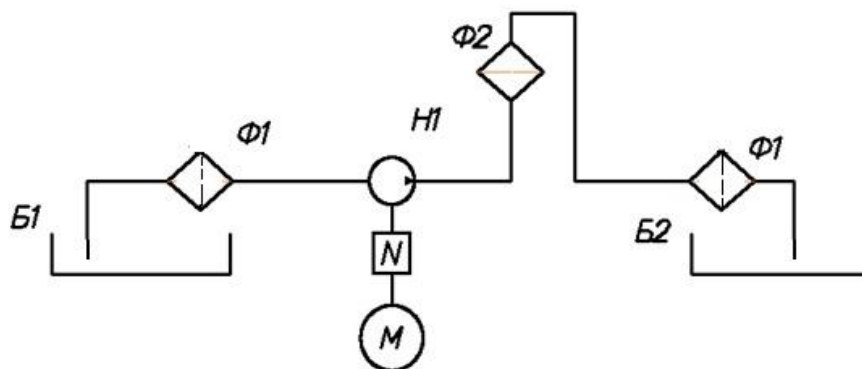
The equipment consists of the case for the filter in which there is a purification of oil. The case is produced from sheet steel. In capacity there is the top cover with electrodes, and two withdrawal of the top part of the case, for reception of the fulfilled oil and its discharge.

Oil in the case is forced by the electric pump unit.

The mobile platform is made of metal corners and sheet steel of the St3 brand. The forward axis of the cart is rotary that increases its maneuverability.

For management of process, there is a control panel consisting of tension converter, the installation food panel.

The hydraulic scheme of installation (figure 1) on purifications of the fulfilled oil consists of filters with pollution indicators that allows to replace them in due time. The filter is installed in number of two pieces, in front of the electrostatic filter and after it. Forcings of the fulfilled oil it is made by the electric pump unit 0,6-25-0,4/25Yu-Z.



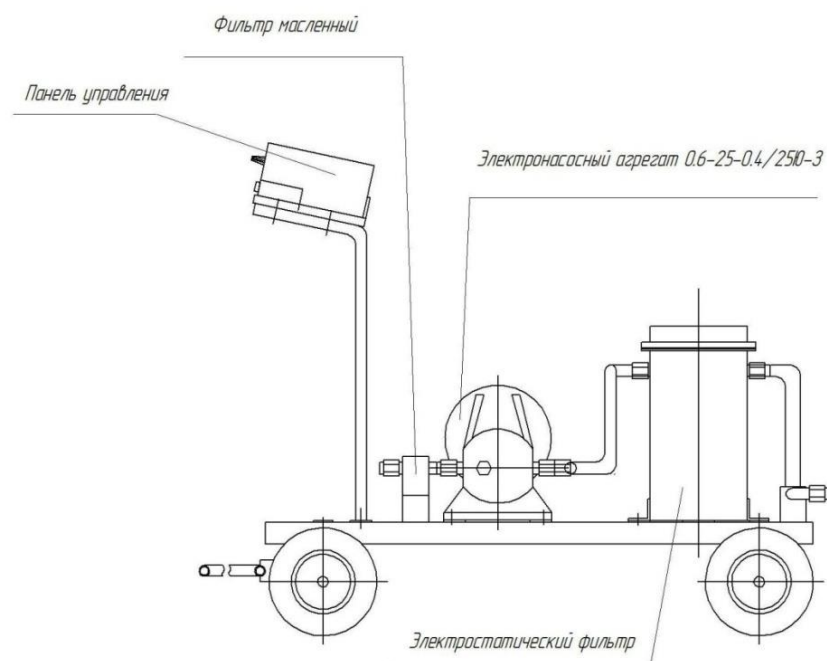
Picture 1 – The hydraulic scheme of installation on purifications of oil:

B1 and B2 - hydrotanks; M - the electric motor; H1 - the pump gear; Φ1 - filters of rough cleaning; Φ2 - the electrostatic filter

The pump is mounted on a platform of the cart of cleaning installation and connects metal or rubber pipelines.

The filter of rough cleaning should be replaced 1 time approximately with 200 tons of the purified oil. The filter of a kapleotdelitel (if he is established) — 1 time on 900 tons. Electrostatic filters are regenerated and don't demand replacement. If necessary installation can be understaffed with the additional block of a vacuum osushka of oil

Purity of oil after cleaning is reached the 7th class. Working pressure - no more than 2 MPas. Power consumption - 0,55 kW. Installation productivity - 6 l/min.



Picture 2 – Installation for purification of oil with an electrostatic method

Installation can be introduced on a site of fuels and lubricants and in process of accumulation of volume of oil it is possible to make his cleaning.

**Reference list:**

1. Kuznetsov A.V. Fuel and lubricants [Text]: manual for students высш. studies. Institutions. – М.: Colossus, 2007. – 199 pages.
2. Grigoriev M. A. Purification of oil and fuel in autotractor engines [Text]. – М.: Mechanical engineering, 1970.-270 pages.
3. Tenesesku F., Kramaryuk R. Elektrostatika in equipment [Text]: The lane with Rhum. – М.: Energy, 1980. – 296 pages.
4. FARTO Ltd firm. Equipment for oil regeneration in the electrostatic way [An electronic resource]. - Access mode. - URL: <http://fartospb.ru/>
5. Volga region ZEO. Equipment of purification of oil [An electronic resource]. - Access mode. - URL: <http://www.zeo-sar.ru/>

# **PSEUDOFLUIDIZATION GRAIN DRYING ENERGY SAVING TECHNOLOGY EMPLOYING PROGRAMMABLE LOGIC CONTROLLER AND HUMIDITY SENSORS**

**Evseev Kirill V.**

4th year student of the Department of Electrical engineering  
Volgograd State Agrarian University  
Russia, Volgograd

**Ryabtsev Vladimir G.**

Research supervisor, professor  
Volgograd State Agrarian University  
Russia, Volgograd

**Abstract:** The task of maintaining the permissible grain humidity level on long storage in elevator consuming less energy using programmable logic controller and humidity sensors is solving. The pseudofluidization grain drying method using supplementary heat in transference energy-saving technology is introduced.

**Keywords:** grain drying, programmable logic controller, energy saving technology, fluidization.

## **1. Introduction**

The grain storing standards, first of all the humidity level, must be complied. This guaranties agricultural producers their production undamaged condition maintenance and all manner of loss minimization. In a 10-12%-humid grain biochemical processes and growth of microorganisms and insects almost stop. A grain like this can be stored for many years without weight loss.

Redrying of 1000 tons of wheat for decreasing the humidity level from 14% to 12% costs 32000 euro. For grain drying consumes more than 90% of energy consumption for storing then decreasing the consumption is an important economic aspect. While on manual control an operator expends more than 80% of time to regulate the process, but by doing so he can not establish the desired conditions and that leads to grain loss or getting nongrade grain.

In Russia grain reception sites and elevators are in ownership of joint stock companies and private owners. Therefore in Russia only 10-20% of grain are processed and stored in elevators and about 80-90% of grain are in the possession of producers without drying conditions maintained. Thus commercial farm units and the state loose up to 30% of production.

Grain dryers represented in Volgograd district agricultural entities allow for the conclusion that at the present time the equipment automation level is exceedingly low and the dried grain quality leaves something to be desired [1-4].

The grain storing and processing cycle is complicated, multilevel and energy-intensive thus it requires sophisticated and reliable grain storing and processing automation systems implementation for accomplishment of high efficiency. The technical basis of increasing efficiency, grain storing and processing, automatic control organizing and material quantitative accounting is automatic control system (ACS). The technical process ACS provides executive and total material and production control, monitors enterprise operation and process personnel.

The task of grain storing and processing automation for the moment is particularly topical. The modern grain-processing industry technical process ACS mechanisms allow to decrease the grain storing and processing losses, energy consumption and accident risk level.

Storing production with lowest losses and energy consumption is an important task for while on storage some products can have payoffs greater than self-cost. Decreasing the storing cost also decreases production self-cost and affords the opportunity to realize more profit. The reasonable production storage is available only when service is reliable.

For saving grain on storage the ACS employing humidity sensors and programmable logic controllers are used. The non-removable humidity sensors are mass-produced and meet the requirement, however the flow humidity sensor design concept is not studied enough and it is at the moment particularly topical [5, 6].

## 2. The research objects and purpose

The purpose of the research is the pseudofluidization grain drying and storing energy-saving technology employing the humidity sensors and programmable logic controller (PLC) design.

To reach the goal it's necessary to solve the next tasks:

- to design the grain drying with fluidization technological process;
- to design the flow humidity sensor and to inspect its properties;
- to develop the automatic system providing the grain drying with fluidization energy-saving technology structure;
- to develop the software for automatic grain drying with fluidization control system employing the programmable logic controller and humidity sensors.

## 3. Materials and methods

The way of grain drying with warm air stream consisting of one or several jets is suggested. When the rate of blowing is low the air stream is being filtrated by the grain lamina solid particles, otherwise if the rate of blowing meets the pressure drop corresponding to the grain lamina weight making requirement then the furthest blowing rate increasing will lead to grain lamina fluidization [7]. The minimum flow velocity providing fluidization is identified as pseudofluidization process velocity. The grain lamina is not pseudofluidized until its every particle is not processed by fluidization agent, the pressure drop does not equal the particles weight corresponding to the grain lamina cross section square.

The drying inside the pseudofluidized grain lamina result mostly depends on hardware design. Thus it requires to select the optimal drying machine construction meeting the psysicotechnical properties and desired efficiency.

The suggested energy-saving technology can be realized by employing the automated system (fig. 1). It consists of grain storing tankers (1, 2, 3), a belt-type conveyor (4), a conveyor engine (5), a grain dryer (6), a compressor (7), a dust separator (8), a filter (9), a pneumatic plumbing (10), tanker gates (11, 12, 13), humidity sensors (14, 15, 16), pneumatic plumbing valves (17, 18, 19), a programmable logic controller (20).

The grain initially stores in the tankers (1-3) and its humidity level is monitored by the sensors (14 – 16) connected to PLC (20). If the humidity level is higher than the set value then the tanker gates (11 – 13) mechanism opens by the signal from the PLC and the grain falls on the conveyor (4) controlled by the engine (5) and then the grain is transferring to the grain dryer (6) and is drying by warm air flow. After the drying process the grain is transferring to the tankers for storing by the pneumatic plumbing (10).

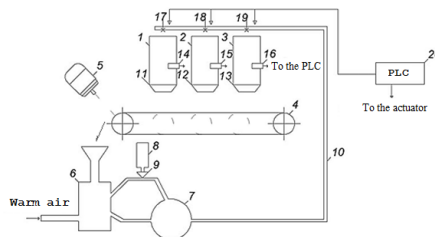


Figure 1 – The grain drying with pseudofluidization system schematic structure

The tanker selection for storing the grain is executing by the valves (17 – 19) controlled by PLC. The dust separator (8) has a filter function. The technology feature is using the compressor warm return air in grain transference to the tankers thus it leads to decreasing the energy consumption for the grain drying process.

## 4. The results and discussion

For designing the grain humidity sensor the Wheatstone's bridge scheme (fig. 2) to determine the unknown resistance  $R_x$  is suggested.

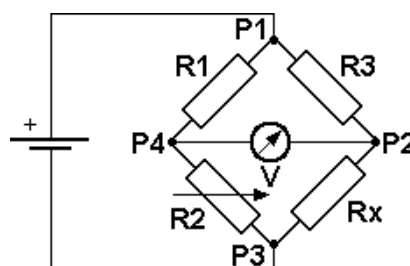


Figure 2 – Wheatstone’s bridge scheme

If the bridge balance condition is fulfilled then the measuring diagonal voltage value equals zero and the next equations are true:

$$I_3 \times R_3 = I_1 \times R_1; I_x \times R_x = I_2 \times R_2.$$

The par  $R_2/R_1 = R_x/R_3$  is fair, thus:  $R_x = R_3 \times R_2 / R_1$ .

A nichrome coil as the element with unknown resistance  $R_x$  is suggested. When a wet grain hits the coil the total resistance of the coil and parallel connected wet grains  $R_{total}$  decreases and thus the voltage value between the point P2 and P4 can be determined by the formula:

$$U = (R_{total} / (R_3 + R_{total}) - R_2 / (R_1 + R_2)) \times U_{supply}.$$

For checking the sensor sensitivity the experiment with dry and wet grain was carried out. When the grain is dry the diagonal measuring voltage value equals zero and when the grain is about 25% wet the voltage is about 47 mV.

The diagonal voltage value is amplifying by operating amplifier MAX4237 and processing by voltage – current modifier based on Howland scheme with operating amplifier LM101A.

The improved Howland current source is able to power loads connected to the common leg. The humidity sensor circuit schematic is presented at the figure 3.

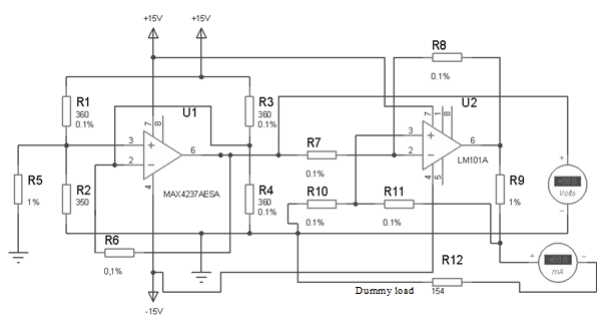


Figure 3 – The humidity sensor circuit schematic

For the defining the suggested humidity sensor properties the computer modeling was carried out. The results are represented at the figure 4.

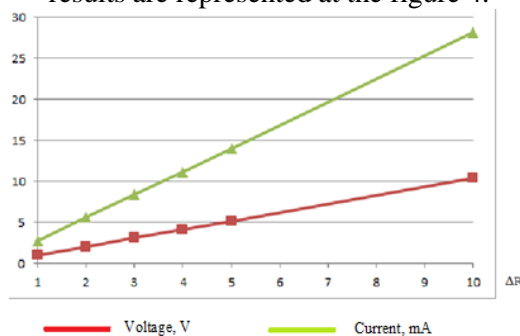


Figure 4 – The results of the computer modeling

The humidity sensor sensitivity is 0.572 mA per 1% of grain humidity, the measurement range is 10 – 40%. The current data transmission method allowing connection to the PLC on range up to 30 meters by twisted-pair wire was selected. The price of the suggested humidity sensor is 25 times lower than microwave sensor A-315 produced in Belorussia [8].

The sensor calibration and accuracy ranking was performed with the portable finnishhumimeterWille 55 [10]. For the technological process adjustment the elevator model connected to the PLC (fig. 5).





Figure 5 – The elevator model

The ACS monitors the grain humidity level and if it reaches the allowed level then ACS generates the drying begin signal [11]. The controller JZ-10-11-R16 built-in analog-to-digital converter processes the input signal to a variable from 205 to 1023 corresponding to 4 and 20 mA that means the controller measurement limits and after the linearization the processed value of humidity level displays on the PLC screen.

For storing the ADC converted values the variables x1 and x2 are used and the variables y1 and y2 store the processed values (fig. 6). The PLC program algorithm is coded in LD language representing electrical circuit algorithm [9].

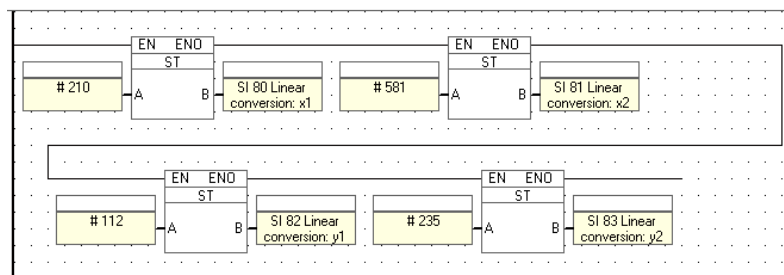


Figure 6 – The process of linearization the sensors data

The 10 mA current generator circuit cut in for the program debugging. On the PLC screen at the figure 7 the humidity level is displayed returning the result amounting to 20.2%.



Figure 7 – The PLC screen showing the humidity level value

## 5. Conclusions

The pseudofluidization grain drying energy-saving technology practicality is formulated and showed by the experiments in the research. The hardware structure and ACS software controlling the grain drying process employing the PLC and humidity sensors were designed. The additional warm stream grain drying while on transferring method saves heat energy up to 15%. The suggested system allows to forecast the grain heating, to control automatically the wet and dry grain streams, the energy-saving drying process and the grain-drying entity process flow formation.

For the humidity sensor area grain temperature measuring the second measuring loop creating is suggested. The modified humidity level values related to the modified temperature values will be automatically adjusted for the cropper individual law.

The grain processing entities automated control systems can be designed based on the obtained results. The suggested ACS using annual cost advantages can make two or more millions rubles. The suggested energy-saving technology can be used in grain-drying complexes, rubbing machines, panification and coffee drying process.

### **Bibliography:**

1. CourtoisF., Non-conventional Grain Drying Technology. / Proceedings of an International Conference "Grain Drying in Asia", Bangkok, Thailand, 17-20 October 1995. Canberra: Australian Centre for International Agricultural Research, (1996), 222-228.
2. KashaninejadM., Tabill.G., MurtazaviA. and SafekordiA. Effect of Drying Methods on Quality of Pistachio Nuts. *Drying Technol.*, 21(5), (2003), 821-838.
3. PartiM., Theoretical A.Model for Thin Layer Grain Drying. *Drying Technol.*, 8(1), (1990). 101-122.
4. RafieeSh., KeyhaniA., SharifiM., JafariA., MobliH. and TabatabaeefarA. Thin Layer Drying Properties of Soybean (Viliamz Cultivar). *J. Agric. Sci. Technol.* 11, (2009), 289-300.
5. GorjuschinskiyI.V., Maz'koN.N. The improvement of grain production tanker storing efficiency // *Agrisupplies storing and processing*, № 3. (2009), 14-16
6. VoblikovE.M., BuchantsovV.A., MaratovB.K., ProkopetsA.S. The grain drying technology. M.: Publishing «Lan'», (2003), 448 p.
7. Fluidization. Ed. I. Davidson and D. Harrison. Trans. from English. VG Aynshteyna, EI Halperin, VL Novobratskoe ed. prof. NI Halperin. M. : "Chemistry", (1974), 728 p.
8. Microwave grain in-flow humidity sensor – [http://www.solidsinstruments.nl/wp-content/uploads/hydrnix\\_sensors\\_in\\_feed\\_and\\_grain\\_gfmt.pdf](http://www.solidsinstruments.nl/wp-content/uploads/hydrnix_sensors_in_feed_and_grain_gfmt.pdf)
9. U90 Ladder software manual.– <http://www.unitronics.com/support/technical-library>
10. Wile-55 – User manual – [http://www.kramp.com/pdf/nl\\_NL/wile\\_55\\_nl.pdf](http://www.kramp.com/pdf/nl_NL/wile_55_nl.pdf)
11. BeskorovaevA.I., EvseevK.V. and RyabtsevV.G. The in-flow grain humidity sensor program algorithm features/ *Eurasian union of scientists*, №4 (13), (2015), 47-49.

## MODERNIZATION OF POTATO DIGGER KST - 1,4

**Zachar Pavel**

3rd year student, specialty "Mechanization of agriculture"  
Achinskogo College of transport and agriculture  
Russia, Achinsk

**Proshkin, Sergey**

supervisor  
the teacher of the first category  
Achinskogo College of transport and agriculture  
Russia, Achinsk

**Abstract:** the paper presents the upgraded potato digger KST-1,4 design which applied excavating device that allows more efficiently to separate the soil in the elevators and increase the performance of the grinder.

**Keywords:** soil, cascading the Elevator, a plow separation, the divider, the connecting rod, the hyperbolic cone.

One of the most complex processes in the production of potatoes to be his maid, which is associated with high damageability and losses of tubers, as well as the need to separate the significant of soil mass (about 1000 kg per 1 ha), which comes with potato tubers in the car [1].

Serial potato-diggers and potato harvesters do not always operate satisfactorily on heavy, clogged with stones, wet soil. Because of this, used on most cars bar the elevators do not always allow complete separation, the corresponding agro-technical requirements, which leads to high losses of tubers in the soil, reducing productivity and increasing production costs. Therefore current research aimed at increasing separating capacity, reliability and durability of working bodies of the harvesting machines.

The number produced by the domestic industry, rather, mean that cars today are leading the potato-diggers. They have a number of advantages in comparison with harvesters and diggers-loaders [2]: low cost; ability to work on all types of soils and fields with a length of less than 200 m gon.

Fig. 1. Excavating device: 1 — soil; 2 — divider; 3 — bolt; 4 — conical compression spring; 5 - cotter pin; 6 — an arm; 7 - an adjusting hole; 8 — rod

Therefore as osnovny object for isksledovaniye the kartofelekokpatel of KCT-1,4 who is often applied in various farms is taken. He prednaznachен for cleaning картофеля on heavy soils humidity to 27%. His separating working bodies not in all soil climatic conditions destroy by Odknako soil lumps which descend from a cascade elevvator and fill up potatoes tubers.

It occurs a vsledkstviye of the fact that the klubnenoskny layer cut by ploughshares crumbles and moves on a prutkovy elevvaktor a neravnomerkny layer on the shikrena insufficiently.

It is known that tuberiferous layer разрывает-ся in the cross direction because of a difference of skokrost прутково-го an elevator and a kartofelekokpaktel, and in the prodolkny direction isn't broken off that reduces a separation kachekstvo.

The technical solution of this problem is that increase of a sepakration of tuberiferous layer is possible at his razkryva in a longitudinal napravleniye and a dopolnitelkny razmelcheniye before giving on a high-speed prutkovy elevator. It is reached by the fact that the sekriyny kartofelekokpaktel of KCT-1,4 is equipped with the undermining ustroykstvo executed in a vikda flat of the fluctuating sprung ploughshares on which dividers of tuberiferous layer [3, 4] (fig. 1) are fixed. A ploughshare 1 are fixed on suspension brackets, sharnirno the soyekdinennykh with a frame and koklebltsya by rods 8 with an amplitude of 14 mm and razklichny frequency. Frequency of fluctuation of ploughshares regulirutsya by replacement звездочек on a reducer shaft. They are established on rods with a possibility of change of a tilt angle to gorizontakl sharnirno on the konichekskikh springs of 4 arms 6. Each of them passes through a rod opening. In arms regulirovochny openings 7 in one of which the forelock 5 is installed are executed. Openings it is possible for Regulirovochnykmн изменять rigidity of a konicheksky spring in zavisimokst from type and a condition of the soil on which the digger ispolkzutsya.

On each flat podkpruzhinenny ploughshare with an opportunity продольно-го movements on him the divider 2 tuberiferous layers is fixed. It is executed in the form of a giperboklichesky cone. His osknovaniye is established over a high-speed prutkovy elevator on flat forming a cone longitudinal openings are executed (aren't shown) in which bolka 3 are established.

The conic spring 4 is adjusted on neobkhodimyy effort. He is opredelyat depending on type and a condition of the soil, on kotoory there will be использовать-ся a kartofelekopatel. Poklozheniye of dividers also depends on type and a soil sostoyakniya.

Fig. 2. The scheme of the modernized kartofelekopatel of KCT-1,4 (side view):

1 — the fluctuating ploughshare sprung flat; 2 — a rod; 3 — a konichesky spring of compression; 4 — a divider; 5,6,7 — high-speed, main and kaskadkny prutkovy elevators

During the work of a kartofelekkopatel of KCT-1,4 (fig. 2) on potatoes podkapyvaniye buried a ploughshare, established on opredelenny depth, a vsledkstviye of unevenness of resistance of the soil deystvut variable forces. They are given to a konichesky spring and zakstavlyat a ploughshare to change a tilt angle to gorizontakl. He is established depending on type, a sokstoyaniye and connectivity of a pochkva at which sliding of klubneknosny layer on a working surface of the flat lekmech soblyudaktsya.

Undermining a ploughshare cut tuberiferous layer of the soil which moves to dividers 4. Tuberiferous layers are crushed and arrive on a high-speed prutkovy elevator 5 on the big width of the separating pokverkhnost that improves allocation of tubers. Then tuberiferous weight perekmeshchatsya on the main 6 and cascade the 7th elevators, falls and is in addition crushed. The small soil is sifted between bars, and tubers descend from an elevator 7 in a roll.

Use of the razrobotankny undermining device in a design of KCT-1,4 allows to break off and izkmelchat dopolknitelno tuberiferous layer, to podakvat him on width of a cloth of a high-speed prutkovy elevator more evenly that leads to improvement of separation of a pochkva and increase of a proizvoditelnost of the digger.

#### **Literature:**

1. Agricultural mechanic-7-2015 edition.-40C.
2. Bysov, N. In. Principles and methods of calculation and design of the working bodies potato harvesters: monograph / N. In. Bychov, A. A. Sorokin. ~ Ryazan: Skopinsky printing house, 1999. - 128 p.

# NEW ENERGY-SAVING TECHNOLOGIES

**Sergey G. Ivanov**

student 1 course Department of technological machines and equipment  
Siberian state technological University  
Russia, Krasnoyarsk

**Svetlana N. Martynovskaya**

Cand.pedagog.sci., associate professor of the department of technology of constructional materials and engineering  
Siberian State Technological University  
Russia, Krasnoyarsk

**Abstract:** modern solutions for energy-saving technologies.

**Keywords:** energy saving, energy saving items, computers.

Currently, energy saving is one of the priority tasks associated with the deficit of energy resources, increasing cost of production in agriculture.

The main role in increasing the efficiency of energy use belongs to modern energy-saving technologies, which in turn reduce the cost of unnecessary losses of energy.

Typically, agribusiness companies are implementing these types of technologies, which provide significant energy-saving effect [1]:

1. Common technology for many enterprises related to energy use (motors with variable speed, heat exchangers, compressed air, lighting, steam, cooling, drying, etc.).

2. More efficient production of energy, including modern boiler plants, cogeneration (heat and electricity) and trigeneration (heat, cold, electricity); as well as replacement of old industrial equipment with new, more efficient.

3. Alternative sources of energy.

Let's consider a third option in more detail, because the use of alternative variants of energy saving can allow you to eliminate unnecessary use of energy for agricultural enterprises and for their private buildings, facilities or offices and applies to agricultural vehicles in General. Consider several options of alternative energy sources:

- electric vehicles for agricultural activities [2];
- occupancy sensors [3];
- socket with timer[4];
- emergency lighting[5];
- photovoltaic panels (solar panels)[6];
- electromagnetic generators(wind farms)[7];
- energy saving lamps[8];
- use of computers [9].

Information about the results of using alternative types of energy saving is presented in figure 1.

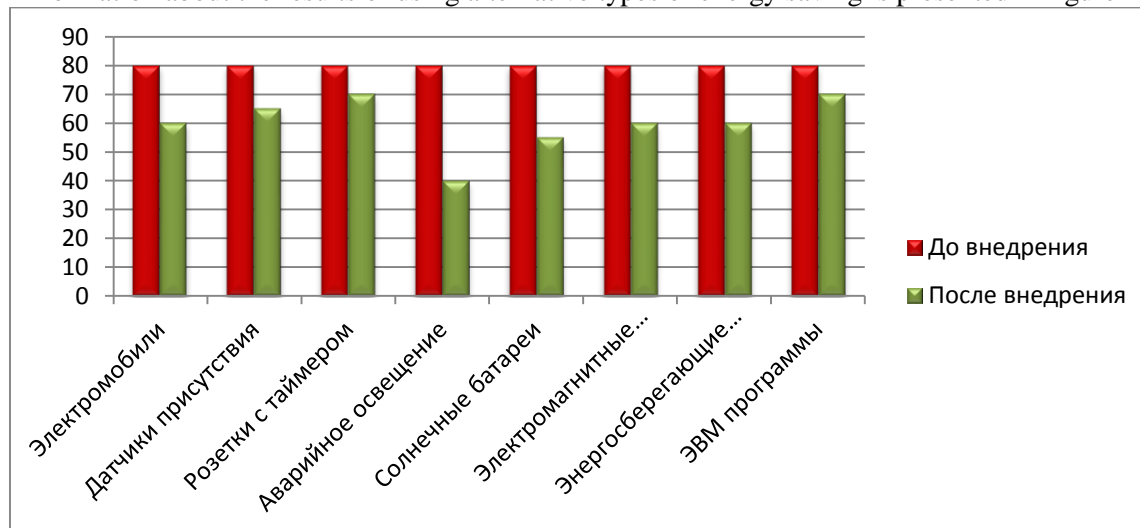


Figure 1 - comparison of energy saving before and after the implementation

Modern technologies allow to utilise the latest energy-saving components and devices for rational use of energy resources at the enterprises of agroindustrial complex, which allows to reduce the consumption costs.

**Bibliography:**

1. <http://krasagro.ru>
2. <http://innoeco.ru/post/site/view/id/35/title/more.html>
3. <http://www.tek-el.ru/articles/detectors/presence/>
4. <http://stroisovety.org/rozetka-s-tajmerom/>
5. <http://radioschema.ru/sxemy-elektricheskie/avarijnoe-osveshhenie-na-9013-tranzistorov.html>
6. <http://magus.com.ua/a190826-chto-takoe-solnechnaya.html>
7. <http://dic.academic.ru/dic.nsf/ruwiki/625259>
8. [https://ru.wikipedia.org/wiki/Powersave\\_lamp](https://ru.wikipedia.org/wiki/Powersave_lamp)
9. [http://dic.academic.ru/dic.nsf/eng\\_rus/249572/programming](http://dic.academic.ru/dic.nsf/eng_rus/249572/programming)

## FLOW-PULSATING TECHNOLOGY POST-HARVEST HANDLING OF CROPS

**Mikhail A. Kuropatkin**

4<sup>th</sup> year student of the Department of Agroengineering  
Achinsk branch of the Krasnoyarsk State Agrarian University  
Russia, the city of Achinsk

**Olga V. Pilyaeva**

Research supervisor  
Cand.Tech.Sci., associate professor Agroengineering  
Achinsk branch of the Krasnoyarsk State Agrarian University  
Russia, the city of Achinsk

**Abstract:** The optimal choice of technology post-harvest handling of grain is a very important task. Today was the topical use of technologies that are energy efficient and reduce manual labor. This article discusses one of these technologies.

**Keywords:** grain drying, aeration tank, cleaning machine.

Grain production is one of the major challenges of sustainable development of the food market of the country. Preservation and processing of freshly harvested grain weight is one of the most responsible, energy-intensive operations. The grain mass has unique properties of durability, with proper storage and timely processing. One of the main operations in the processing and storage of grain, along with the dryer is venting. You must take into account the fact that the effectiveness of drying depends on the air velocity in the layer and its distribution along the volume of the installation. In the conditions of non-uniform air distribution on individual sections of grain will undoubtedly be uneven change effective parameters on the characteristics of the grain, in the process of ventilation. This is true for almost all types of plants, aeration, including for bunkers of active aeration with a radial distribution. This irregularity leads to the fact that at an average humidity of 14% in the upper outer layers it is equal to 16-18%, in the middle of the Central 13-15%, and the lower inner 6-11%. Proposed process flow-pulsating technology cereal processing to design changes in the hopper for storing wet grain for the purpose of energy saving. It is proposed to amend the air distribution system, to ensure that grain in the bins had dried a bit, powlett less work the dryer. Figure 1 shows a diagram of the upgraded bunker of active aeration, provided with spiral distribution system. [1]

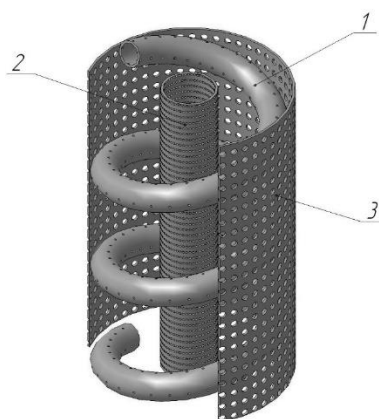


Figure 1 – Scheme of the bunker of active aeration 1– spiral distribution system; 2 – the Central air distribution system; 3 – perforated cylinder Threading the grain of the material is ensured through the use of designed rotary dryers that creates the soft mode of drying of seeds of grain crops.

For the proposed technology can be used item, which is located in the new building or in present in the economy (during the reconstruction). Figure 2 is a flow diagram of postharvest processing of grain crops.

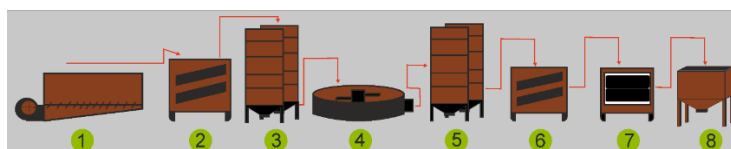


Figure 2 – technological scheme of post-harvest processing of cereals 1 - aerosol 2 - warehousestyle 3 - wet grain hopper 4 - drier 5 - the hopper of the dry grain 6-7 sieve cleaning machine-gravity separator unit 8 - the bunker of ready production The use of such technology can not only reduce energy costs but also reduce labour costs.

Table 1 – Technical characteristics of complexes of post-harvest grain handling

Indicators	Seasonal performance	
	1000	2500
The performance of the drying no on seed cleaning	8 2,5	15 8
Service personnel	2	2
Work, people	0,8	0,25

The results show that post-harvest technological process can be standardized via the upgraded bunker facilities and the proposed technology, i.e. to obtain the following performance indicators: • 100% eliminated manual labor, the grain is in the hopper. • Instead of five or six workers and two operators two operators work on the entire paragraph. [2]

### **Bibliography:**

1. Cuglenok, N. In. Place of drying in a stream of integrated management of post-harvest grain handling / N. In. Cuglenok, T. N. Bastron, S. K. Manasyan, N. In. Demski, J. A. Book, Pylaeva O. V., Korepanov V. A. // agricultural science at the turn of the centuries: materials of the region. scientific. Conf / Krasnoyar. GOS. Agrar. Univ – Krasnoyarsk, 2007. – P. 235-237.
2. <http://www.greenrussia.ru> (date of treatment: 01.03. 2016).



## ABOUT EXPEDIENCY OF CREATION DOMESTIC POWER SATURATED WHEEL 4K4A TRACTORS

**Miller YUrij Vladimirovich**

4th year student of the Department of Agroinzheneriya  
Achinsk branch of the Krasnoyarsk State Agrarian University  
Russia, the city of Achinsk

**Makeeva YUliya Nikolaevna**

Research supervisor  
senior teacher of the department of Agroinzheneriya  
Achinsk branch of the Krasnoyarsk State Agrarian University  
Russia, the city of Achinsk

**Abstract:** Expediency of creation domestic power saturated wheel 4k4a a tractor is shown in article.

**Keywords:** competitiveness, the improved classical configuration, power saturated tractor.

Imposition of economic sanctions against Russia has set for landowners essentially new tasks of technical modernization of agriculture which basis for the decision formation and equipment of technologically required machine and tractor park by new power saturated equipment according to a rational type and standards of requirement is. The solution of the specified tasks in scales of the country depends on a condition of technical providing agro-industrial complex of the regions creating federal system of food security [1].

The work purpose – justification of need of creation domestic power saturated wheel 4k4a a tractor.

The basis of the modern tractor market is made by the unified mobile power means of wheel arrangement 4k4a different standard sizes with the operational lot changing with the broad range, way of ballasting, installation of dual wheels and use of the loading in addition devices [2,3] for technological adaptation.

In world tractor construction the most powerful wheel tractors are models with the power range from 350 to 500 h.p. In Russia and abroad such tractors let out only in configuration with a hinged frame. Meanwhile wheel tractors of other configuration – improved classical with front wheels of oversize successfully compete with order power tractors to 400 h.p. with a hinged frame also.

Now the segment of the market wheel 4k4a tractors with power up to 350 h.p. is completely monopolized by the leading foreign firms, such as John Deere, Case IH, New Holland, being world leaders in their production.

In Russia according to licenses of the leading foreign firms let out wheel tractors of OOO «Klaas», OAO «Rostsel'mash», OOO «SiEHnEHjch» i OOO «Same Dojtc-Far» [4].

Now in domestic market increase in demand for such powerful tractors causes expediency of creation new competitive by criterion the price quality domestic power saturated wheel 4k4a a tractor with power up to 350 ... 400 h.p. that will meet the requirements of strengthening of food independence of Russia.

The improved classical configuration means application of front driving wheels of oversizes and the corresponding redistribution of mass of tractors with increase in load of a front driving axle that allows to pull together their traction indicators (including к.п.д.) with similar indicators of hinged tractors. Besides, tractors of such configuration have the following advantages: higher universality; material capacity, smaller to 25%; higher stability and controllability.

During creation domestic power saturated wheel 4k4a a tractor with power up to 350 ... 400 h.p., it is necessary to provide that it provided technical and economic competitiveness not only on internal, but also in foreign markets for what its nodes, units and systems have to

correspond to parameters of the foreign analogs best for today or exceed them. As such analogs wheel tractors of classical configuration of the leading foreign firms John Deere, Case IH, New Holland which are the closest to it on the power and operational weight are chosen.

The design and parameters of nodes, units and systems of the specified domestic wheel tractor have to correspond to the best examples of world level and comply with the main technical requirements.

For acceleration of creation of a new tractor it is necessary to recommend to use at its development already ready components (the engine, transmissions, hinged system etc.) from specialized foreign producers which are meeting requirements of standards of production and application and having a high resource.

Conclusions: expediency of creation domestic power saturated wheel 4k4a a tractor is proved.

#### **Bibliography:**

1. Selivanov N.I., Makeeva YU.N., Kosikina YU.V. Technical equipment of agro-industrial complex of Krasnoyarsk Krai // Vestnik KrasGAU. – Krasnoyarsk, 2016. - №1 – S.52-58.
2. Selivanov N.I., Makeeva YU.N. Ballasting of wheel tractors on processing of the soil // Vestnik KrasGAU. – Krasnoyarsk, 2015. - №5 – S.77-81.
3. Selivanov N.I., Makeeva YU.N. Specific material capacity of wheel tractors when ballasting for technologies of a pochvoobrabotka // Vestnik KrasGAU. – Krasnoyarsk, 2015. - №10 – S.65-70.
4. Nefedov A. Monitoring of a technological level of perspective domestic tractors for landowners // Osnovnye sredstva. - 2012 № 10; URL: [http://www.os1.ru/article/agricultural\\_machinery/2012\\_10\\_A\\_2012\\_10\\_04-16\\_21\\_54/](http://www.os1.ru/article/agricultural_machinery/2012_10_A_2012_10_04-16_21_54/) (data obrashcheniya 15.02.2016)
5. Nefedov A. About expediency of creation of a domestic wheel tractor of classical configuration of ultrahigh power // Osnovnye sredstva. - 2012 № 3; URL: [http://www.os1.ru/article/agricultural\\_machinery/2012\\_03\\_A\\_2012\\_03\\_16-13\\_38\\_50/](http://www.os1.ru/article/agricultural_machinery/2012_03_A_2012_03_16-13_38_50/) (data obrashcheniya 01.02.2016)

## DESIGN ENGINEERING SERVICES IN PASTURES

**Mihajljuk Dmitrij Sergeevich**

Undergraduate of "Agroengineering"  
Krasnoyarsk State Agrarian University  
Russia, Krasnojarsk

**Lind Aleksandr Viktorovich**

Research supervisor  
Ph.D., Associate Professor, Department of Agriculture Mechanization  
Krasnoyarsk State Agrarian University  
Russia, Krasnojarsk

**Abstract:** Problems of the formation of engineering and technical service in the agroindustrial complex.

**Keywords:** technician, engineer, service, provision, operation

At present technological and economic situation in the agricultural production of Russia is very complicated. Gross production of hay from 1990 to 1999. decreased by 40%, and the wear and tear of fixed assets exceeds the recovery more than 10 times. Compared with 1990, the supply of agriculture tractors was reduced 24 times, grain harvesters in 53, forage — 30 trucks — 100 times. Availability of equipment for livestock farms is no more than 40% and the wear has reached 85%. technological equipment of processing enterprises of agrarian and industrial complex of the country is outdated and only 12-15% meet modern technical level, the wear exceeds 50%. cancellation technology is many times greater than the volume of its deliveries. In this regard, significantly increased technological load on all kinds of machines. In certain regions of the country on one harvesters have 400-500 ha of harvesting areas, instead of 130 hectares stipulated by the standards. In the end, in Russia the supply of labour in agriculture is 5-10 times lower than in developed countries.

Due to the lack of vehicles forced to reduce acreage, to conduct field work for simplified technology, stretch agronomic terms. All this led to the lower yields, the quality of agricultural products, increase its losses. If the situation technical support of agricultural complex and agricultural machinery does not change, then the farms will be forced to switch to the simplified technology of cultivation and harvesting of crops, which is unacceptable. The volume of deliveries of new equipment do not provide the required strength of the ICC. For regulatory filling to the village it is necessary to increase the equipment fleet by 30-50%. The initial out of the situation — the effective use of available material ICC. Monitoring the functioning of the technical system suggests that the technical equipment of agricultural production remains two times lower than the required level and continues to decline. Renewal of machines from the traditional to 1991, 9 to 11% of the availability was reduced to 0.3-3%. This affects the backlog of products, to reduce the consumption of the settlement of the main types of domestic food. Therefore, the focus of scientists focused on the development of modern methods of maintaining the fleet in operational condition and efficient use of available technology. Established engineering service involves: the presence of well-established system of planning and accounting of execution of work, consumption of spare parts and materials, labor costs, cash expenditures, strictly established order and technical support of operation and management of the Park; the presence of material-technical base and a clear delineation of the functions, rights and responsibilities of all technical Park. Depending on the development of individual sectors and scale of production in the General structure of engineering and technical service may be: service operation ICC; service overhaul and repair of machines; maintenance service of machines and equipment in animal husbandry; maintenance service and repair of electric power facilities; management services of service supply and distribution. The number of management personnel is set based on the actual existing standards of governance, management effectiveness and efficiency of the device, time use and the organization of administrative work. The head of administration of economy is the head and organizer of production and economic activity of the enterprise. Its work is guided by current legislation, regulations and government decisions, orders and directives of higher organizations. He is obliged to organize the work of divisions, aimed at quality and timely execution of routine preventive system maintenance and repair of vehicles. Systematically improve the material and technical base of the production Association farms. Control security of the enterprise with the necessary equipment, tools, tool, their conservation and sustainable use. Provides economical consumption of manpower and material resources, the growth of labour productivity, introduction of

economic calculation. Analyzes and develops proposals on improvement of production activity of the Association. Together with engineer recruitment of agricultural machinery carries out the recruitment and placement of them. Monitors compliance with workers of production and labor discipline, rules of labor protection. Conducts educational work in the team, takes constant care of improving the conditions of work and life of workers, employees, engineers and technical workers, being sensitive and attentive to the consideration of their suggestions and requests. Ensures records are maintained in accordance with the requirements of EGSD (uniform state system of office work). The position shall be appointed persons with higher education and experience in engineering and management positions at least 5 years. The chief engineer ensures the implementation of targets, smooth operations of all sites and services, efficient use of production capacities and fixed assets of the Association. Directs the implementation of scientific labour organization, progressive methods of maintenance and repair of tractors, combines, machinery and equipment for livestock farms, contributes to the development of rationalization and invention. Working to improve the quality, reduce the complexity and cost of maintenance and repair, identification of reserves for increasing productivity and profitability.

#### **Bibliography:**

1. Orsic HP Problems in service of Russian agriculture // Mechanization and electrification of agriculture -2000-No. 4, 6-9.
2. Artushin A. A, the Main results and directions of development of science agroinzhenernyj // Technique in agriculture - 2003 - 04, 3-6.
3. The RF law "On technical service of agricultural producers"// Tractor and agricultural machine - 1999 - No.4, 8-9.
4. Industrial exploitation of machine-tractor Park / G. P. Lasko, A. N. Skorokhodov Moscow: Kolos, 1996 276.
5. Guide a quantity surveyor. Sergeeva Z. V. Khimchenko, G. V. Moscow: Rosselkhozizdat, 1982-57.

## WATER-FUEL MIXTURE IN AUTOMOTIVE ENGINES

**Andrei V. Mordwinov**

student of the correspondence Department directions  
35.03.06. Agroengineering»

**Yuri A. Kniga**

Research supervisor  
PhD in Tehnikal Science,  
assistant professor, Departament Agroingenerii  
Achinsk branch of the Krasnoyarsk State Agrarian University  
Russia, the city of Achinsk

**Mishkhozhev Azamat Aslanbievich**

Research supervisor  
Department of Agriculture Mechanization Assistant  
FSBEI HE “Kabardino-Balkarian State agrarian University named after V. M. Kokov”  
Russia, Nalchik

**Abstract:** the article presents an overview of how the use of a mixture of water and fuel in petrol and diesel engines

**Keywords:** emulsion, water, fuel, working fluid

На сегодняшний день в данном направлении проводятся работы конструкторами таких фирм как Subaru, Alfa Romeo и др. [4].

The idea of using plain water to improve the operation of internal combustion engines is more than attractive. And because water is the most common and familiar substance in everyday life, and because it is involved in nearly all known processes. Its application does not require the cost of establishing new production facilities. And the world's water is far higher than reserves of traditional hydrocarbon fuels: water shell of the Earth – oceans, seas, lakes, rivers – is 1.4–1.5 billion km<sup>3</sup>. The first patent for the use of water in engines got a hundred years before. Otto. At the beginning of our century there were a great many works in this field, and attempts were made to use the results in practice. In 1920-1921, for example, many English buses were equipped with carburetors with two float chambers. One for the petrol and one for water. In the thirties the water became interested and the creators of the aircraft. In some studies it was used not only to suppress detonation, but also significantly reduce thermal stress of aircraft engines. In our country have been conducted bench and road tests, associated with water injection in the intake system of engines of cars ZIS-150 and ZIS-151 and bus ZIS-155, and instead of leaded petrol (octane 66) used unleaded fuel (with an octane number of 56). Finally, in the seventies there appeared a work on water-soluble antiknock, were the methods of preparation of water-fuel emulsions directly on the car [1]. According to the literature [1, 2] the water reduces the calorific engines, to improve the reliability and efficiency of their work, to save fuel, to increase the detonation resistance of low-octane gasoline, to reduce the concentration of oxides of nitrogen and carbon in the exhaust gases. Water can be used for cooling the fuel-air charge when you create engines with supercharging, as well as during operation of engines at high altitudes. Finally, it enables the use of water-soluble antidetonators. Interesting work, in which he determined the true efficiency of antiknock fuel mixture at different water content. Direct experiments with hydrocarbons at standard research facilities is almost impossible as water is not soluble in hydrocarbons and is not miscible with them. Therefore, determined the efficacy of anti-knock mixtures of tetrahydrofuran with water. It turned out that water supplements increase the knock resistance of tetrahydrofuran for 3 units in the octane number [1]. Studies were conducted on stable water-fuel emulsions. Data about the detonation resistance of gasoline with different additives water are presented in the table below.

The influence of water on detonation resistance of commercial gasolines (by motor method)

Fuel	without water	5% water	10% water	20% water
Gasoline A-66	66	66,5	67,5	72
Gasoline A-72	72	72,5	74	76
Gasoline A-76	76	77	78	81

Gasoline-93	85	85,5	86	88
-------------	----	------	----	----

Such a significant increase in the octane number of fuel is explained by the fall in the temperature of the burning fuel-air mixture. This is confirmed by the exact calculations of the process executed on the computer: add 10% water to ISO-octane reduces the maximum temperature of the cycle with 2978,3 to 2951 K. On the compression stroke additionally served water starts to evaporate, thus absorbing heat and, respectively, cooling the mixture, which reduces the tendency to detonation of the fuel-air mixture in gasoline engines. There is evidence of reduction of fuel consumption [3] 5-8% with the direct flow of distilled water into the intake manifold and with the use of water-fuel emulsions. When this emulsion is completely unacceptable on diesel engines because there is a rapid failure of the fuel pump plunger pairs. During the practical tests it was found that the optimal ratio of water to gasoline is 1:8 (according to other sources from 12.5 to 25%). In the literary sources do not indicate the possible dependence of this ratio on the mode of operation of the engine. Currently there are devices with microprocessor control, designed for dosed supply of water in the cylinders, for example, Ecomax [4]. This assumes their use in conjunction with carburetor engines and fuel injection. Today in this direction are works by designers such companies as Subaru, Alfa Romeo and others [4].

#### **Bibliography:**

1. Journal «Himija i zhizn'». 1981 № 5.
2. «Himija i tehnologija topliv i masel». 1981, № I, p. 55, 56.
3. P.K. Efremov. The additional power of heat engines with water. Proceedings of all-Union scientific conference "Protection of air pool from pollution by toxic emissions of vehicles".ch. 1, p. 221, Har'kov. Institute of problems of mechanical engineering.1977.
4. Online resource: <http://www.aktivator.od.ua/ecomax>.

# THEORETICAL MECHANICS AS THE BASIS OF CONSTRUCTION OF AGRICULTURAL MACHINERY

**Vasil Nikitin**

1th year student of the Department of Economics  
Achinsk branch of the Krasnoyarsk State Agrarian University  
Russia, the city of Achinsk

**Lyudmila Fomina**

Research supervisor  
Cand.Ped.Sci., associate professor of the department of Economics  
Achinsk branch of the Krasnoyarsk State Agrarian University  
Russia, the city of Achinsk

**Abstract:** The proposed thesis combined statistics of production of agricultural machinery from 1928 to the present. Outlined the main problems of the decline in production of agricultural machinery . Proposed solutions to identified problems.

**Keywords:** tractors, combine harvesters mechanical, agricultural engineering.

Agriculture is the most ancient of human productive activity. However, until the XIX century, the manufacturing industry has been the most backward in the technical sense. Development of the agricultural sector depends on agricultural engineering.

Today in the country there are 41 enterprises producing agricultural machinery, while the cultivated area 57.8 million hectares. Whereas, in the Soviet Union when the cultivated area of 210 million hectares machinery manufacturer for agriculture takes about 230 plants.

When planning a renovation of agricultural machinery should take into account the term of its operation. For example, the tractor period taking into account the repairs can be up to twenty years , and , combine harvester may not be operated more than five years.

Table 1 shows the dynamics of the production of tractors and combine harvesters in the USSR and Russia in the twentieth century and the beginning of the XXI century.

Table 1

**Dynamics of production of tractors and combine harvesters in the USSR and Russia in the twentieth century and the beginning of the XXI century (in thousand . Pcs.)**

equipment Type	Year																
	1928	1932	1940	1945	1950	1960	1965	1970	1985	1990	1995	1998	2000	2005	2009	2012	2013
Tractors	1,3	48,9	31,6	7,7	116,7	238,5	354	458,5	585/261	435/214	21,2 PΦ	9,8 PΦ	19,3 PΦ	8,6 PΦ	1,6 PΦ	11,6 PΦ	7,9 PΦ
combine harvesters		10	12,8	0,35	46,1	59	85,8	99,2	112	65,7 PΦ	6,2 PΦ	1,0 PΦ	5,2 PΦ	8,1 PΦ	1,6 PΦ	5,6 PΦ	5,9 PΦ

Table 1 shows that the decline in production of tractors and combine harvesters around the time of the Second World War and the period of perestroika. Currently, renewable starts production of agricultural equipment , but still not enough for a full import.

On average, the Russian willingness to harvesters Agrotechnological activities remains low because of its moral and physical deterioration of harvesting machinery and its lack of updates.

Table 2 shows the number of machines for agricultural purposes.

Table 2

**The number of fleet for agricultural purposes in the USSR and the Russian Federation (thous. Pcs.)**

equipment Type	1928	1940	1950	1960	1965	1970	1995	2000	2012
Tractors	27	531	595	1122	1613	1977	1052,1	746,7	276
combine harvesters	2 pc.	182	211	497	520	623	291,8	198,7	72,3

Comparing the data in Table 1 and Table 2 that the update tractors and combine harvesters, produced in Russia, now corresponds to 4 % and 8 %, respectively.

Analyzing the above said it is clear that one of the problems of agricultural production is the lack of capacity of agricultural engineering. Which is influenced by:

- Insufficient number of enterprises for the manufacture of agricultural machinery;
- Insufficient number of design organizations;
- Short lifespan of farm machinery;
- Severe operating conditions and inadequate conditions of winter storage equipment, maintenance and repair, etc.

Currently, the state comprehensively supports the development of domestic agricultural engineering as well as financial and economic incentives for buyers of technology.

However, these measures are not enough, and the specialists of the industry are the following main objectives:

- Updating and strengthening national agricultural engineering with the use of the latest thorough development of domestic scientists, as well as modern scientific and technological achievements of the world;
- Reorganization and production on the basis of modern scientific research, design work and start-up of new agricultural machinery;
- A more detailed study of the disciplines "Theoretical Mechanics", "Strength of Materials", "Machine parts", "Theory of mechanisms and machines" in agricultural high schools to prepare graduates for design activities.

### **Bibliography:**

1. Alpatov , A.B. Subsidising producers of farming as a factor of influence on price formation processes in the sector of domestic agricultural engineering / A.B. Alpatov // Machinery and equipment for the village . - 2014.-№ 1.- S.34-38 ;
2. Alchemy successful Russian agricultural machinery - Access : [http://spec-technika.ru/101/267/\\_item-151](http://spec-technika.ru/101/267/_item-151), free ;
3. Artiushin , AA Agroengineering science at the AIC / AA Service Artiushin // technique in agriculture. - 2004 - number 3. - S. 3 - 4 ;
4. Kapitonov , EN The history of Russian Agricultural Engineering : Monograph / EN Kapitonov . - Tambov : Publishing House of the GOU VPO TSTU , 2010. - 60 s . - ISBN 978-5-8265-0941-8;
5. Klenin , NI Agricultural and land reclamation machines / NI Klenin , VG Egorov . - Moscow: Kolos , 2005. - 464 p ;
6. Kolo , AV Urgent problems of agro-industrial complex / AV Colo // tractors and agricultural machinery . - 1991. - № 1. - S. 11 - 13 ;
7. Review of the Russian market of agricultural equipment : tractors for agricultural purposes - Access: <http://agro2b.ru/ru/companiesnews/18817-Obzor-rossijskogo-rynka-selhoztehniki-traktory-selskohozyajstvennogo.html>, free;
8. The official website for agro online exhibition «abc -AGRO- [electronic resource]. - Access: <http://www.abc-ag-ro.ru> (reference date: 10/12/2015), free;
9. The official website of the leasing company "Rosagroleasing - [Electronic resource]. - Mode of access: <http://www.rosagroleasing.Ru>, free;
10. Evaluation of the secondary market of agricultural machinery // Rural mechanic. - 2016 - №1 - [Electronic resource]. - Access: <http://agroinfo.com/ocenka-vtorichnogo-rynka-selxoztexniki-0902201605/>, free;
11. Manufacturers of agricultural machinery - Access: [http://www.mcx.ru/documents/document/v7\\_show/26689.htm](http://www.mcx.ru/documents/document/v7_show/26689.htm), free;
12. Russia by the Numbers : short statistical directory - M .: Rosstat , 2007. S.222- - 223 .
13. Market under protection : analysis of the Russian market of agricultural machinery - Access : <http://agbz.ru/reviews/rynok-pod-zashchitoy-analiz-rossiyskogo-rynka-selskohozyaystvennoy-tehniki>, consolidated ;
14. Soviet Encyclopedic Dictionary . - M .: Soviet encyclopedia , 1981 - 1600s ;
15. Chernoiivanov , VI History and perspectives of development of the state machine- /B.I station system . Chernoiivanov // tractors and agricultural machinery . - 1998. - № 5. - C 2 - 4 .



# SOFT TECHNOLOGY OF BIOFUELS FROM RAPESEED

**Catherine G. Penkova**

3rd year student of direction "Agroengineering"  
Engineering Systems Management Institute  
Krasnoyarsk State Agrarian University  
Russia, the city of Krasnoyarsk

**Alexander A. Dorzheev**

scientific adviser

Ph.D., assistant professor of tractors and automobiles  
Engineering Systems Management Institute  
Krasnoyarsk State Agrarian University

**Abstract:** This paper presents the technological scheme of complex processing of rapeseed and produce biofuel compositions, performed the calculation of the cost of production of rapeseed oil and energy performance of the processing line.

**Keywords:** Rape seeds, complex processing of seeds, canola oil, mixed fuel, bio-fuel composition, the production costs of rapeseed oil, energy performance of the processing line.

The cultivation of rapeseed is done to ensure the public power supply of the product of the combined livestock feed and feed additives in various types. Additionally, rapeseed processing products are widely used in paint, textile and other industries. In the last ten years rape has been widely used in the production of biofuels such as biodiesel and mixed fuel [2,3]. The main products at the elementary processing of rapeseed, is oil and cake. With more advanced processing of oilseeds, when the technology is used additional purification processes, there is need for revision of by-products, or require disposal of produced waste.

By-products of complex processing of rape seeds are soapstock, soaps, various precipitation, the crude glycerol and others in need of improvement (or utilization), which complicates the technology and increase production costs. The improvement of technology and on-farm use of raw materials such as bagasse, glycerin, soap, etc., you can earn extra income from the processing of oilseeds.

With complex processing of rapeseed for biofuel composition is advisable to use virgin oil, because high melting waxes and wax-like substances found mainly in the shell, are transferred into

the oil at the end of compression. Driving technology three-time pressing of rapeseed at complex processing is shown in Fig.

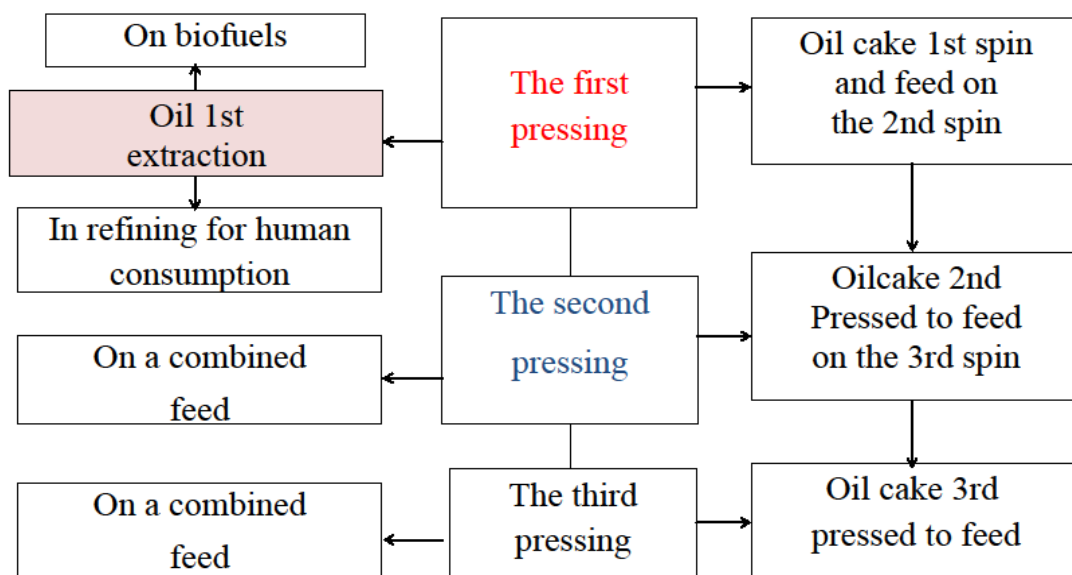


Figure – Driving a single-pressed rapeseed

Most of the agricultural enterprises of the Krasnoyarsk Territory, cultivating canola seeds, processed oilseeds for meal, which is successfully used in feed production. Regarding rapeseed oil, there are a number of problems, one of which - the absence of technological equipment. In the presence of technologies and means for the purification of crude rapeseed oil, the use of triple pressing will produce biofuel composition for automotive diesel engines (the first spinning), high-quality feed for cattle and poultry (second and third spin).

Most processors of oilseeds argue about the effectiveness of the use of rapeseed meal, the cost of the final product at the same time significantly reduced. Feasibility of seed processing with justified even if the yield of 1,5 t/ha.

With the help of flow charts and real data from agricultural enterprises, determined the cost of production and processing of rapeseed. in rubles costs are as follows: 45-50% - energy; fixed assets to 9%; coefficient of efficiency in terms of costs to the MJ as described in [1] is comparable to the cost in rubles (Tables 1 and 2).

Table 1 – Calculation of the cost of production of rapeseed oil, rub.

Productivity, t/ha	Total costs, rub./Kg	Cost structure 1 kg,%				Efficiency ratio	
		Materials	Fixed assets	Energy	Salary	Oils	Oils + oilcake
1,5	18,5	25,5	7,1	48,3	19,1	2,2	3,2
2,0	21,5	23,4	8,1	48,5	20,0	2,7	4,0
2,5	23,5	21,7	8,9	48,7	20,7	3,1	4,6

Table 2 – Calculation of the costs of production of rapeseed oil, MJ

Productivity, t/ha	Total costs, MJ/kg	Cost structure 1 kg,%				Cost structure 1 kg,%	
		Materials	Fixed assets	Energy	Salary	Oils 42 MJ	Oils + oilcake 71,5 MJ
15	22,3	37,6	50,2	12,1	0,17	1,8	2,5
20	17,5	35,9	50,2	13,7	0,18	2,3	3,2
25	14,6	34,5	50,2	15,2	0,18	2,7	3,8

Analysis of the data leads to the following conclusions: in the conditions of Krasnoyarsk region agribusiness complex processing of rapeseed to produce a biofuel compositions, mixed

feeds and supplements thereto, under suitable yield of 15 t/ha and higher energy efficiency of the process when the VRM is equal to 2,5.

**Bibliography:**

1. Batishchev, VY Energy-economic analysis of the efficiency of fuel production from rape [Text] / VJ Batishchev, NI Delyagin, VN Delyagin, SA Nikonov // Materials Intern. scientific-practical. conf., is dedicated. 100th anniversary of acad. VASKhNIL AI Selivanov / Rosselkhozakademia Sib. Dep- of GNU SibIME - Novosibirsk, 2008. - S. - 245-249.
2. Dorzheev, AA Technology of preparation and use of biofuels in the composition of agricultural tractors [Text] / Author. Dis. ... Cand. tehn. Science / AA Dorzheev. - Krasnoyarsk, 2011. - 20 p.
3. Selivanov, MI biofuel production technology based on rapeseed oil [Text] / NI Selivanov, AA Dorzheev. // Machine-technological and service support of agricultural producers in Siberia: Materials Intern. scientific-practical. conf., is dedicated. 100th anniversary of acad. VASKhNIL AI Selivanov (n. Krasnoobsk, 9-11 June 2008), Rosselhoz Academy. Sib. Dep-s. GNU Sib IME. - Novosibirsk, 2008. - 648 p.

# THE SMALL-SIZED DEVICE FOR EXPRESS ANALYSIS OF ENGINE OILS AND HYDRAULIC LIQUIDS

**Pechkov Aleksandr Aleksandrovich**

Student of the Siberian State Technological university (SibSTU)  
Russia, Krasnoyarsk

**Fedchenko Victor Borisovich**

research supervisor - Candidate of Technical Sciences, Docent of Branch of Cars, tractors and forestry machines  
Siberian State Technological university (SibSTU)  
Russia, Krasnoyarsk

**Annotation:** Research objectives are: studying of pollution of oil and working liquids and the offer of constructive decisions which will allow to make the express analysis of oils and working liquids that will allow to save resources and to lower costs of fuels and lubricants.

**Keywords:** engine oils, working liquid, photometric method, the device for the express analysis of engine oils.

In the process of operation of the engine and a hydraulic system of oil are exposed to oxidation and polymerization under the influence of oxygen and temperature on friction surfaces. The great influence on properties of engine oils of engines is exerted by products of incomplete combustion of fuel. This process is characterized by accumulation of impurity. Their structure, structure and properties are various [1]. The term of use of oils is defined substantially by amount of impurity which change its optical density. The reject indicator for engine oils and working liquids can be determined by their optical density by means of experiment.

Proceeding from the analysis of the existing designs of devices and ways for the express analysis, it is possible to draw a conclusion that the simplest, fast and inexpensive method of the express analysis is the photometric method. A disadvantage of this method is lack of the analysis of a chemical composition of oils and a big error of calculation - to 15... 20%, but for the express analysis such error is sufficient [2], [3].

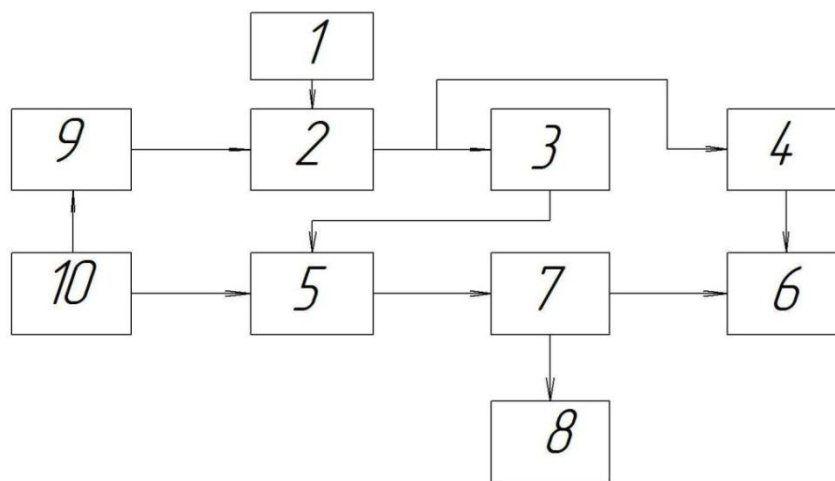
Therefore, work on creation of the device for the express analysis has been directed to increase of accuracy of measurement, reduction of device's size and for simplification of measurement procedure.

In SibSTU the prototype of the device which has been intended for carrying out the express analysis of engine oils, and also for carrying out the express analysis of hydraulic liquids of logging, farm, construction and road vehicles has been created.

The device is executed on modern element base - transistors, chips [4] that has provided his small sizes (135 x 120 x 40), weight 350 gr. the device is powered from any source of 12 Volts. The error of measurement makes 10%.

Operation of the device is based on a photometric method and by a method of identification of substances that has allowed to simplify a design of photometric cartridges and to get rid of the error caused by impurity of glasses of cartridges for oils and liquids. The digital four-digit scale is applied to increase of accuracy of counting.

The device contains knot of creation of a photometric layer, the cartridge for reference oil and the cartridge for the studied oil, two photodetectors and two measuring generators, the control unit, the digital indicator, the stabilized power supply and the power supply unit. The scheme (the block diagram) of the device is shown in picture 1.



Picture 1 - The block diagram of the device for the express analysis of oil.

1 - oil for the analysis; 2 - knot of creation of a fotometriryemy layer; 3,4 - photodetectors; 5,6 - measuring gegnerator; 7 - control unit; 8 - digital indicator; 9 - light source; 10 - the stabilized power supply.

The device works as follows. In the measuring block two test tubes, in one of them is model oil, and in another is investigated oil are set up. Test tubes identical by the sizes and optical indicators therefore thickness of a fotometriryemy butter layer is always constant. Behind each of test tubes the photodetector is established and depending on impurity of the studied oil on photodetectors from a light source various light stream gets. Fotopriyemniki-fotorezistory which electric resistance changes depending on the size of a light stream are included in feedback of generators of impulses. Frequency of following of impulses is proportional to the electric resistance of a photodetector. As the light stream getting on each of photodetectors isn't identical, also frequencies of each of generators of impulses are various.

Each generator gets into gear on strictly certain period by means of the control unit  $\tau$ , but  $\tau_1 = \tau_2$ . And, at the beginning the generator which photodetector perceives the light stream which has passed through model oil, and then the generator the photodetector having in feedback perceiving the light stream which has passed through the studied oil turns on. As a result the first photodetector has smaller electric resistance, than the second one because it is influenced by a light stream which wasn't unimpaired by outside impurity. Therefore, the frequency of following of impulses of the first generator will be higher, than the frequency of the second generator  $f_1 > f_2$ . At first  $f_1$ , and then  $f_2$  arrive on the block of reversive counters where the following arifmetihical function is  $f_1 - f_2 = f_3$ , where  $f_3$  is a difference between frequencies of following of impulses.

This difference allowing to judge a difference of optical density of the model and studied oil is removed in a digital form.

Before work it is necessary to install two empty test tubes in the measuring block. The handle of the device try to obtain the indication of a scale 0000, the error caused by the different optical density and possible inhomogeneity of material of test tubes thereby is compensated. Frequencies of generators will be equal to  $f_1 = f_2$  and further only layers the fotometriryemykh of the model and studied oil will exert impact on result of measurement.

Researches of functioning of the device have shown a possibility of his use in the small enterprises of various form of ownership operating equipment. Correction of the period of replacement of oil and working liquids will allow to save resources and to lower costs of fuels and lubricants.

#### Reference list:

1. Kuznetsov A.V. Fuel and lubricants [Text]: manual for students высш. studies. Institutions. – M.: Colossus, 2007. – 199 pages.
2. Copyright certificate No. 785729601 N 27/90.
3. Copyright certificate No. 798654 601B 33/12
4. B. K. Nesterenko. Integrated operational amplifiers. The handbook on application. - M:energoizdat.1982. - 128 pages.

# GRANARY MODERNIZATION IN EDUCATION «KANONEROVSKOE»

**Savel'ev Igor'**

student of the correspondence Department directions  
110301.65 Agriculture Mechanization

**Kniga Yuriy A.**

Research supervisor  
Ph.D., Associate Professor, Department of Agriculture Mechanization  
Achinsk branch of the Krasnoyarsk State Agrarian University  
Russia, the city of Achinsk

**Abstract:** the article presents the results of technical analysis barn educational farm.

**Keywords:** grain, aeration, long-term storage of grain.

Educational farm "Kanonerskiy" is a structural subdivision of the Achinsk branch of Federal STATE budgetary educational institution "Krasnoyarsk state agrarian University". The main purpose of. Educational management is the acquisition of practical knowledge by students in the field of agricultural production. Together with students and faculty created the current model of grain drying complex with a capacity of 5-10 tons of grain per hour, which has no analogues in the Achinsk district. Mastered acreage. Purchased and restored the necessary agricultural machinery: harvester Yenisei, grain drill, plows, tractor DT-75, K-701, MTZ-80, potato and others. The main cultivated crops are wheat, oats [1]. Scheme of post-harvest processing of grain in this economy is as follows. The grain mass from the fields of agriculture transported the car ZIL-130, where loaded into a dump pit and Elevator refinery-10 served in office cleaning, de-installed the machine pre-treatment NGO-50 gravity separator unit and the BT-4. After purification by car NGOs-50 grain mass, depending on humidity and the load on the dryer the grain mass is delivered either directly for grain drying, for which the dryer is installed SSPG-8 or waiting for drying in ventilated bins BV-20. After the grain is cleaned and dried it comes to outdoor storage in the granary, the diagram of which is shown in the figure below. During the inspection of the granaries of the school management identified the following structural and technological shortcomings. 1. No devices for heating the air used for ventilation. In this connection the supply air depending on external conditions (temperature and relative humidity) can not only reduce, but also increase the humidity of the grain mass. 2. The number of available channels and cracks, which does not ensure sufficient and uniform flow of drying agent. 3. Because the room is not completely closed, the grain has unfettered access to mice and birds. It causes quantitative and qualitative losses of grain. 4. Missing device for loading and unloading grain from storage. This causes an increase in the cost of labor in loading and unloading, which in turn can significantly increase the time for the issue of grains to consumers.

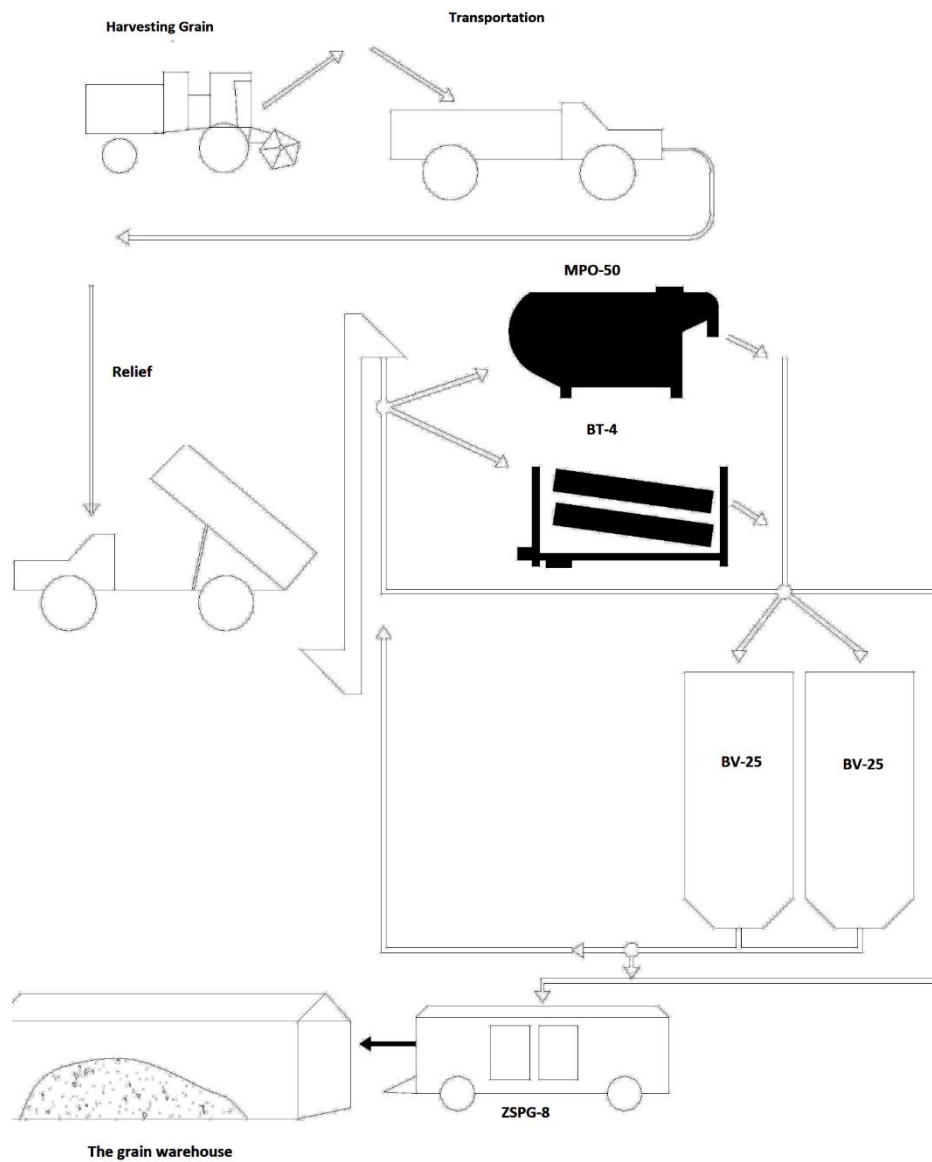


Figure – Diagram of postharvest processing of grain in the learning economy "Kanonerskiy"

Analysis of these drawbacks the need for modernization considering the granaries, and, in the first place, systems of vazduhopolovna and ventilation.

**Bibliography:**

1. The official website of the Achinsk branch of the Krasnoyarsk agrarian University.

# THE METHODS OF CONSERVATION AND PARTIAL COMPENSATION FOR LOSS OF POWER OF THE DIESEL MOTOR DURING WORKING IN THE MOUNTAINS

**Saenko Oleg Olegovich**

student of the correspondence Department directions  
35.03.06. Agroengineering»

**Mishkhozhev Azamat Aslanbievich**

Research supervisor

Department of Agriculture Mechanization Assistant

FSBEI HE Kabardino-Balkarian State agrarian University named after V. M. Kokov  
Russia, Nalchik

**Kniga Yuriy Anatolevich**

Research supervisor

Ph.D., Associate Professor, Department of Agriculture Mechanization  
Achinsk branch of the Krasnoyarsk State Agrarian University  
Russia, the city of Achinsk

**Abstract:** The article is devoted for the method of preservation and partial compensation for loss of power of the diesel engine during working in the mountains of Kabardino-Balkaria, as well as the influence of the height above sea level on the power and economic indicators of the diesel engine.

**Keywords:** diesel engine; fuel mixture; high mountains; relief; power; indicators.

To determine the effect of the height above sea level on the cardinality and economic indicators in KBGAU developed a mobile test bed on which the test was carried out with the diesel engine at different altitudes of mountain areas of the CBD.

With increasing altitude, with a constant adjustment of the fuel pump fuel mixture in diesel engines will be enriched.

The composition of the combustible mixture that is excess air ratio value at different heights can be changed by changing the fuel supply. Depending on the adopted adjustment tractor diesel fuel pump at high altitude can be carried out according to three different modes.

1. When a change of height above sea level Adjustment of the fuel pump remains unchanged (ie do not change the time fuel consumption) and by increasing the height of the excess air ratio is lowered.

2. When changing the height maintained constant factor of surplus of air, due to changes in the fuel pump adjustment.

3. When the engine by increasing the height of the work is brought to the fuming limit corresponding decrease in fuel feed pump.

In this case, the engine is running at the optimum air-fuel ratio. the first mode of operation can not recommended to operate as if with increasing height above sea level not reduce the fuel supply, the resulting enrichment of the combustible mixture starts incomplete combustion, i.e. dymlenie with all the undesirable consequences.

The operating conditions it is advisable to carry out the work of tractor diesel engine according to one of the last two modes.

Under reduced pressure at the end of compression, combustion takes place slowly and decreases fuel efficiency. In addition it deteriorates motor starting and leads to more rigorous work it.

For engine SMD-14 with increasing height above sea level from 0 to 4000 m dropped: hour air consumption from 2010 to 2000 kg / hour: excess air ratio without changing the fuel supply 191 to 1.21 and the compression end pressure from 36.0 to 21 kg / cm<sup>2</sup> [c 3,6 MN / m<sup>2</sup> to 2.1 MN / m<sup>2</sup>].

Regarding the gas temperature at the end of combustion and expansion, their value depends on the adjustment of the fuel pump. If with increasing altitude to reduce the supply of fuel and ensure constant air excess - it is clear, these temperatures will remain unchanged. As a result, the pressure drop and temperature change conditions of mixing and combustion. In particular, changes parameters such as: auto-ignition temperature of the fuel, the exhaust velocity of the jet fuel from the injector nozzle, the fineness of atomization of fuel and dalnobykost, determining the optimal values and the fuel injection pressure.

If an increase in the height above sea level not to change the fuel supply, the power loss will be minimal. However, in this case, because working mixture pereobogaschenie be incomplete combustion



occurs, on the one hand, results in excessive fuel consumption and contamination of the nozzles, and on the other due to intensive carbonization coke and soot; - To increased engine wear. This can be avoided if in accordance with an increase in height by varying the fuel feed pump, fuel consumption decrease hour. This event creates the necessary conditions for the normal operation of the engine, but at the same time, leads to a more intensive drop in power.

Unfortunately, in some cases in the highlands when a new tractor do not dare to change the factory adjustment of the fuel pump, which worsens the fuel economy of tractor violates normal operation of injectors and increases engine wear. As noted above with increasing altitude air flow rate with a higher intensity than the fuel consumption that leads to enrichment of the combustible mixture. To determine by calculation the degree of enrichment of the mixture according to take asl that clockwise air flow is proportional to pressure and inversely proportional to the square root of the temperature, and the hourly flowrate of fuel proportional to the square root of pressure. This condition gives the value of the coefficient of excess air, in good agreement with the experimental data.

Assume that at sea level atmospheric pressure and at a given pressure at engine height h and accordingly consumes kg kg air and fuel.

In accordance with the condition will have:

$$G_{\text{gh}} = \mu G_{\text{eo}} \frac{1}{\sqrt{\beta}} \cdot G_{\text{TH}} = \sqrt{\mu G_{\text{TO}}}$$

Assuming that for the complete combustion of 1 kg of fuel theoretically required kg of air, you can write the expression for the excess air ratio in sea level and for a given height in the form.

$$\alpha_h = \frac{G_{\text{gh}}}{G_{\text{TO}} \ell_o} = \frac{\mu G_{\text{eo}}}{\sqrt{\mu G_{\text{TO}} \ell_o} \sqrt{\beta}} \quad (1)$$

Joint solution of these equations we get:

$$\alpha_h = \alpha_o \sqrt{\frac{\mu}{\beta}} = \alpha_o \sqrt{\frac{\varphi_{\text{gh}}}{\varphi_{\text{eo}}}} \quad (2)$$

The following table gives the values of the excess air ratios for different heights calculated from the formula 2 and corresponding to the case when.

Table 1. Changes in excess air ratio at heights

H <sub>m</sub>	0	500	1000	1500	2000	2500	3000	3500	4000
$\mu = \frac{P_h}{P_o}$	1,000	0,940	0,887	0,835	0,785	0,740	0,692	0,650	0,608
$\alpha$	1,00	0,98	0,95	0,92	0,90	0,88	0,86	0,84	0,81

The table clearly shows that with increasing altitude above sea level fuel mixture is significantly enriched.

### Bibliography:

1. Mishkhozhev A.A., Assessment of the energy expended in the application of the modified ploskorez on hillsides // NovaInfo.Ru (Electronic Journal.) - 2016 - number 41; URL: <http://novainfo.ru/article/4366>
2. Mishkhozhev A.A., Ashinov A.M, Energy rating application with plane on the slopes of the Kabardino-Balkarian republic // Actual questions of development of agricultural science in today's economy: .2015. pp 215-216
3. Mishkhozhev A.A., On the selection of rational parameters of the modified ploskorez to assess the degree of influence on the workers Ogrons tractive resistance unit // NovaInfo.Ru (Electronic Journal.) - 2016 - number 41; URL: <http://novainfo.ru/article/4539>

4. Mishkhozhev A.A., Afasizhev, T.A., Hezheva Z.H, Effect of treatment on ploskoreznoj vegetation forage lands // IV-I Interuniversity scientific conference staff, undergraduates and students of agricultural universities SKFO ".2015g. 94-97 p.
5. Mishkhozhev A.A., Gordogozhev ZM Energy efficiency plokoreznoy Surfacing mountain pastures // IV-I Interuniversity scientific conference staff, undergraduates and students of agricultural universities SKFO ".2015g. 100-102 c.
6. Machine for sowing grass and fertilizer on the slopes // Mishhozhev V.H., Apazhev A.K., Mishkhozhev A.A., Golubnichiy S.V., Urusmambetov H.G., Teshev A.Ş. A patent for an invention RUS 2549781 12.03.2013.

# WATER SUPPLY OF AGRICULTURAL PRODUCTION

**Eugene V. Furs**

1st year student

Siberian State Technological University

Russia, Krasnoyarsk

**Svetlana N. Martynovskaya**

Cand.pedagog.sci., associate professor of the department of technology of constructional materials and engineering

Siberian State Technological University

Russia, Krasnoyarsk

**Abstract:** protection of water treatment plant elements from corrosion (rust).

**Keywords:** water, installation, corrosion, electrochemical method.

Agricultural water supply is a sector of water management, which aims at the satisfaction of domestic and industrial water requirements of agricultural facilities.

A specific feature of rural water supply is that agricultural production is conducted on large areas, which leads to dispersed settlements and various water users on land-use area. All this increases the range transportation of water, complicates the water supply system and hampers their operation. All this leads to corrosion of small details of water supply, failure.

The water system is called the complex of structures to obtain water from natural sources, purification, transport and supply to consumers [1]. Consider one of the types of water supply facilities - water treatment plant type "Jet" performance 25-800 m<sup>3</sup>/day (figure 1). The unit is designed for reagent and non-reagent clarification and disinfection of surface water sources all climatic regions [2].

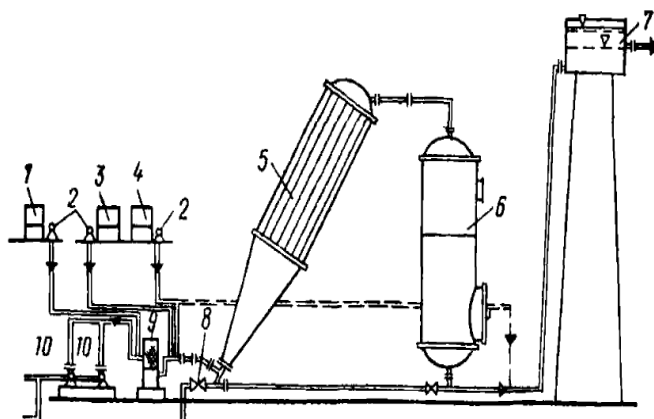


Figure 1 - water Treatment plant type "Jet"

Water treatment plant type "Stream" is under the influence of the external environment and thus is exposed to the coating by corrosion (rust). Small parts that corrode (rust) in the process of operation can be cleaned by electrochemical method [2].

This method is as follows: by cathodic or anodic polarization from an external source of power or connection to the protected structure protectors, the metal potential is shifted to values at which highly slows down or completely stops corrosion.



Figure 2 - Electrochemical method

In our University, we had the experience of cleaning the parts - puller from corrosion (rust) by electrochemical method. For the experiment we needed a small container of water, NaCl, and the power source ( $U=5\text{ V}$ ). To a solution of sodium chloride we put the puller bolted to it with a wire from the power source, and another wire is joined to the anode. Then served voltage of  $U=5\text{V}$ , the experience lasted 40 minutes and turning off the voltage, the item is removed from the solution, washed under running water. To details significant decrease in the corrosion layer (figure 3, 4).

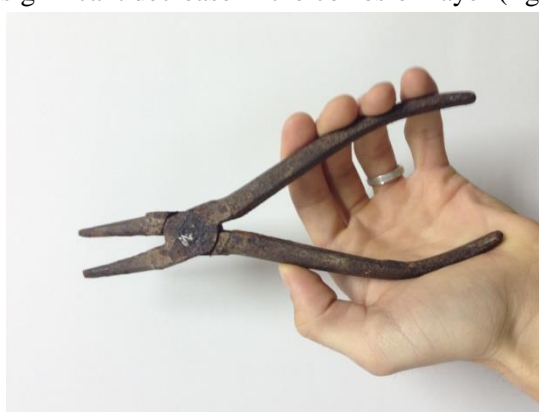


Figure 3 - puller before the experiment



Figure 4 - puller after the start

of the experiment

This experience showed that the use of electrochemical cleaning of small parts from corrosion (rust) effective and requires no special training and sophisticated equipment.

**Bibliography:**

1. <http://ru-ecology.info/term/67700/>
2. Technical Guidelines on the anchor installation and operation of water treatment plants such as "spray" with the capacity of 25-800 m<sup>3</sup> / day. Edition 3 corrections, additions. M.: 1984. - 25c.

## WAYS OF WORKING THE LAND

**Yang Dipertuan Besar**

student of Asia-Europe Institute, Universiti of Malaya  
Malaysia, Kuala Lumpur

**Chun Feng Rong**

Supervisor - Ph.D.

Asia-Europe Institute, Universiti of Malaya

Malaysia, Kuala Lumpur

tel. 1-800-82-1123

**Abstract:** the advantages and disadvantages of the methods of tillage.

**Keywords:** agronomist, soil, methods, processing, classification.

The choice of optimal methods of cultivation are now very relevant. In this article, we only briefly review the different choices. It is worth noting that it pulls in a whole range of related topics. So I don't put now should lead You to any particular choice. I just want to encourage You to look at the diversity of approaches to agriculture, including and summer. I have always encouraged people to get creative to any business. Only creativity can inspire and only it is able to make progress. No exception and our country work. Or active recreation, if it sounds attractive. Actually, my "Country feedback" was conceived as a discussion center for truckers, where we can draw for ideas, what's best for mother Earth and easier for myself to make my life exciting holiday that brings moral and material satisfaction. Therefore, the choice of the rational approach to growing vegetables and grapes will be a red thread through all my publications. If even this won't be saying. Each of the points raised in this article questions worthy to be considered in great detail and, if possible, be considered by us repeatedly. We will begin with a review of the situation. Traditional farming equipment In our minds firmly established the view that the productivity of our land depends on its size and how thoroughly we will process it. With dimensions almost all clear. "Almost" because there is no directly proportional dependence. If the quality of processing of our site remains the same, regardless of its size, then all right. But in practice we will never be able to 40 acres to give each plant as much attention as is paid on 4 acres. Accordingly, the yield to weave in the second case will be much higher. And it will be observed in almost any way on earth. What we mean by the quality of the soil? It is the thoroughness and the depth of plowing, the amount of organic and mineral fertilizers, and careful weeding, etc. In the traditional approach, we first, buy a ton of manure. Because without it in any way. And along with the manure storage facility and a new batch of weeds. All this stuff we rastaskivat on the site, carefully digging over each loose piece, as far as possible. And it is better two times: in autumn and spring. We turn mountains of the earth. If all upside down the earth with us lumped together, when you look at it we would be terrified of its power. Pavel Korchagin is resting. But that's not all. It's only the beginning. The beds are sorely begin to turn green, soon covered by dense vegetation, known as weeds. They hated us the weeds and taking our remaining strength and enthusiasm without a trace. If we're going to work very well (I mean, if we have enough health and enthusiasm, bordering on fanaticism), it is likely that the crop will be pleased with us. And this procedure is repeated from year to year. What kind of holiday we can really talk about. Here and often have to hear what they say, why the vegetable garden, plant a few bushes and flowers. When this is overlooked, as the flowers require attention. And that they please us with their beauty, we need to work no less than on a cucumber bed. And even more. Heroes of labour, annually receiving record harvests, you can be proud. But don't tell them that the lion's share of their energy they are wasting. Upset. Meanwhile, things are so. Where to find reserves? One of the great schools, with which I had stalkivat. This school is known agronomist Jacob advanced methods. He developed a farming system is so revolutionary and so different from our traditional views that I strongly recommend to all without exception to get to know her in detail. I'm not going to agitate each summer resident to use the methods of Jacob of advanced methods, the more that the debate about the rationality of their use is not extinguished at different levels. There is as unconditional supporters of the methods of Jacob of advanced methods and categorical their opponents. But rational grain in such a system, the work at the site. At the time, the transition to the method of narrow ridges of advanced methods in my garden have completely turned my idea of rational horticulture. I saw that gardening can bring much more satisfaction than the traditional approach. After all, you can significantly reduce labor and material costs for the care of their beds and receive, thus, a guaranteed great crop of organic vegetables. We will exhaustively will consider in future farming techniques to advanced methods. Now I just briefly will say, what is the essence and revolutionary

about its methods. Get the guaranteed yields through balanced mineral nutrition of plants and at the expense of their rational placement, allowing, on the one hand, to save the landing area, and on the other hand, provides a good coverage of all plant required for efficient photosynthesis. Are mainly used two methods advanced methods: -method of narrow ridges; -method of ridge-boxes. There are supporters of both methods. I use the method of narrow ridges, as the most simple and acceptable to me. He is that used for landing stationary on the same spot, a narrow ridge with a width of 45 cm, the Passages between the ridges are wide 0.7 – 1.2 m (I have 0.9 m). They never skatyaetsya. What a savings of time and effort! The paradox is that units with the total area of the vegetable garden yields not lower than, and in some cases, and higher than at continuous digging. Despite the fact that the earth has to handle three times less. The beds are framed in the form of earth bunding, does not allow irrigation water to drain from the beds, which can significantly reduce consumption. Saving and fertilizer, because fertilized only narrow beds and not the walkways. There is another important side of the method of narrow ridges. Them incredibly easy to care for plants. First, greatly simplified weed control. Because the garden is narrow! And in the aisles weed is removed much easier. And over time, trampled down the aisles grows very poorly. You saw lush vegetation on the trails? Secondly, very roomy between the beds, even it can be used for garden truck. What is not a revolution in the suburban farming? But also the method of advanced methods is not the ultimate dream summer resident. With this method, it is still necessary to dig up the third part of the earth. But it turns out that the earth can not dig. And what's more, digging significantly harm the fertility of the soil. So say proponents of organic farming. For us, accustomed to the inviolability of arable farming, it is psychologically very difficult to cross the internal barrier. But, once having crossed it, and realizing the malignancy of the deep loosening of the soil, so even with the revolution of the reservoir, we once and for all get rid of bad and unproductive habits in the sweat of digging up your vegetable garden. I'm not saying that working in the garden does not have to. Soothe workaholics. Have. Have to worry about organic food, the soil, or rather, feeding its inhabitants. And weeds it will have. Only they will turn our enemies into allies, because these weeds will nourish the earth creatures, and to serve as a mulch. So, what's the point? The fact that the top layer of soil is filled with roots, moves to earthworms and other soil inhabitants that do the ground air - and moisture-permeable. Excess moisture on rainy period without much difficulty by natural bone goes in the bottom layer, and in the dry season on the contrary rises in the upper root layer. I'm talking about natural, "undisturbed" by man the soil. Soil contains many microorganisms that are involved in the process of formation and constant growth of the natural fertility of the soil. Perekapyvaya soil, we disturb its natural sponge-like texture, turning in a mess of clay, sand and humus. So, let's say, the soil in the rain will turn to mud, because the water will not be able to go freely into the deeper layers. And in dry weather the moisture will not be able to get to the bottom of the top layer. The earth covered with a crust, with which we constantly struggle endlessly rihla their beds. Worms and microorganisms die and begin to revive only with the use of large doses of manure. This, of course, very short and primitive, but enough to reflect on the theme of "to dig or not to dig". If we stop digging, the natural fertility of the soil will, from year to year, grow, you will save whole lot of time and effort that could use more pleasure than perekapyvaya the vast expanses of his dacha. You think this is a fairy tale? Mistaken, I haven't dug your plot, and only superficially loosened when sowing and planting. I can assure You that the soil became more friable, and planting my ceased to suffer from prolonged rains. Of course, if we just one day stop digging up their garden beds, it is unlikely that the results will make us happy. For the transition to organic farming, the soil requires special preparation in advance. But we will need certain knowledge. Therefore, this topic we will repeatedly return to the site. So, what have we learned today? 1.Their labor and material costs can be greatly reduced by using the method of narrow ridges Jacob advanced methods. Yield will not suffer, and may increase significantly, compared with traditional methods of farming. 2. Using my summer cottage, the principles of organic agriculture, You will help restore the natural soil fertility, saving, thus, a significant portion of time and effort spent earlier on the digging in the soi [1].

#### **Bibliography:**

1. Online resource: <http://www.gitograd.org.ua/sad-i-ogorod/agrotechnika-sposobi-obrabotki-zemli.html>.

## *Section №4*

# Modern tendencies of energy saving in the agroindustrial complex (AIC)

### TRENDS IN THE DEVELOPMENT OF MODERN AUTOMATED-TION OF ELECTRICITY METERING DEVICES

**Anastasia A. Astapchuk**

2nd year student of agroengineering of the  
Achinsk branch of Krasnoyarsk state agrarian University  
Russia, Achinsk city

**Veronika A. Bulatova**

2nd year student of agroengineering of the  
Achinsk branch of Krasnoyarsk state agrarian University  
Russia, Achinsk city

**Elena I. Zaytseva**

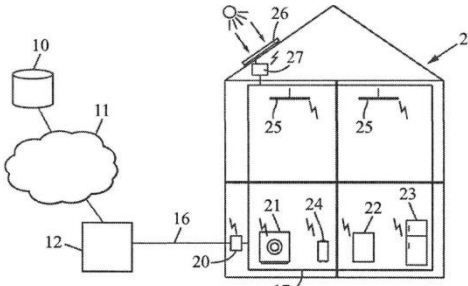
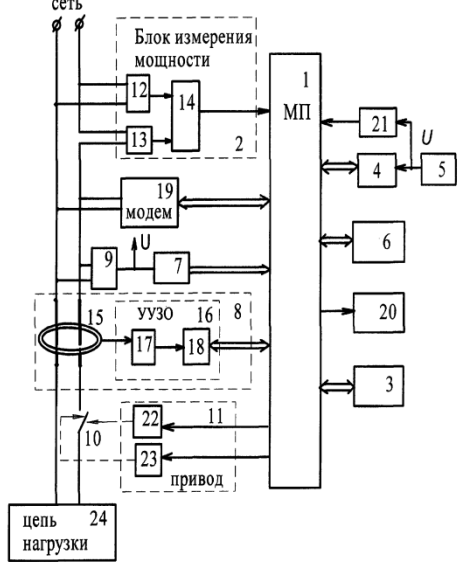
Research supervisor  
master of equipment and technology,  
senior lecturer of department of Agroengineering  
Achinsk branch of Krasnoyarsk state agricultural university  
Russia, city of Achinsk

**Abstract:** comparison of patents for automated electricity metering devices, their advantages and disadvantages.

**Keywords:** the metering device, electric energy, automatic.

We live in a modern society in the 21st century. This is the digital age, technology, and information discovery. Over the last decade has become a popular process such as automation. This process is an independent work of any technical and special control systems, it is capable of fully or partly without human intervention since the system is automatic. Mainly used for acquisition, conversion, management and control. Also, this process also affected the energy. Introducing new measurement tools and modern technologies of energy accounting and energy. Already there are technologies that independently control the energy consumption, maintain records, process data, store all of this information, or send it direct to the user, warn of a fault etc they are Used mainly in the production, as they are bulky, expensive and difficult to install. But progress does not stand still, and now even ordinary consumers can afford an automated metering device. For this article I did a search on patent documents of the Russian Federation and have chosen to compare three patents automated and partially automated systems of measurement of energy resource consumption, which are presented in table 1.

Table 1. Patent review of modern electric metering devices of electric power.

№ P/P	denomination	picture	short characteristic
1	System measurement of resource [1]	 <p>The server (10), Internet (11), substation (12), the power line-transmission (16), a measuring device attached to the environment (17), smart meter (20), System of measurement of the resource that contains: course unit (21,22,23,24,25),</p>	<p>The system is equipped with device-properties data record and provides the ability to transfer the collected data to the database. Uses energy meter for the intellectual energopetrol the office. Data is stored in a centralized database done relatively firmware biscuits retrieve the data. The user can view the data via a secure web-application and analysis-to analyse data with the use of various tools of online analysis.</p>
2	The counter electro-energy ADAP-tive system of automatic control [2]	 <p>1 - microprocessor; 2 - unit of measurement of power; 3 - the block of memory; 4 clock real time-menny; 5 - galvanic element; 6 - programmare set the required timers; 7 - mnogobrojne first threshold element; 8 - protection unit; 9 - power supply of the meter; 10 - the device switch (the key); 11 - the drive disconnect device; 12 is a voltage sensor; 13 - current sensor; 14 - Peremogi-tel-Converter; 15 - differential TRANS-constitutor; 16 is a control unit protective switch-off of; 17 - sensitive element; 18 - functional bushings-tel; 19 modem; 20 - display 21 - unit control the</p>	<p>Relates to electronic measuring equipment. For-by giving this counter becomes the control of the state of TSE-PI load and the possibility of its protective disconnection when detected a malfunction. In the counter adapted automatic control system. Microproce-core processor connects with the unit of measurement of power and the block of memory, the power supply unit of the meter and the device m-connect the load circuit to the actuator, controlled from the microprocessor.</p>



		working state of a galvanic element; 22 - module inclusion; 23 - the module is off; 24 - load circuit;	
33	The counter of electric energy three-phase with a possibility of remote installation [3]		Electricity meter is designed for metering and billing electric-cal energy Introduced RA-biointerface, for remote configuration and data readout from the meter, as well as remote-remote disconnection and the incorporation of load.

The tables below shows patents have already been implemented, so you can consider their strengths and weaknesses. To compare the patents, I made a schedule of their effectiveness, and schedule of deficiencies.

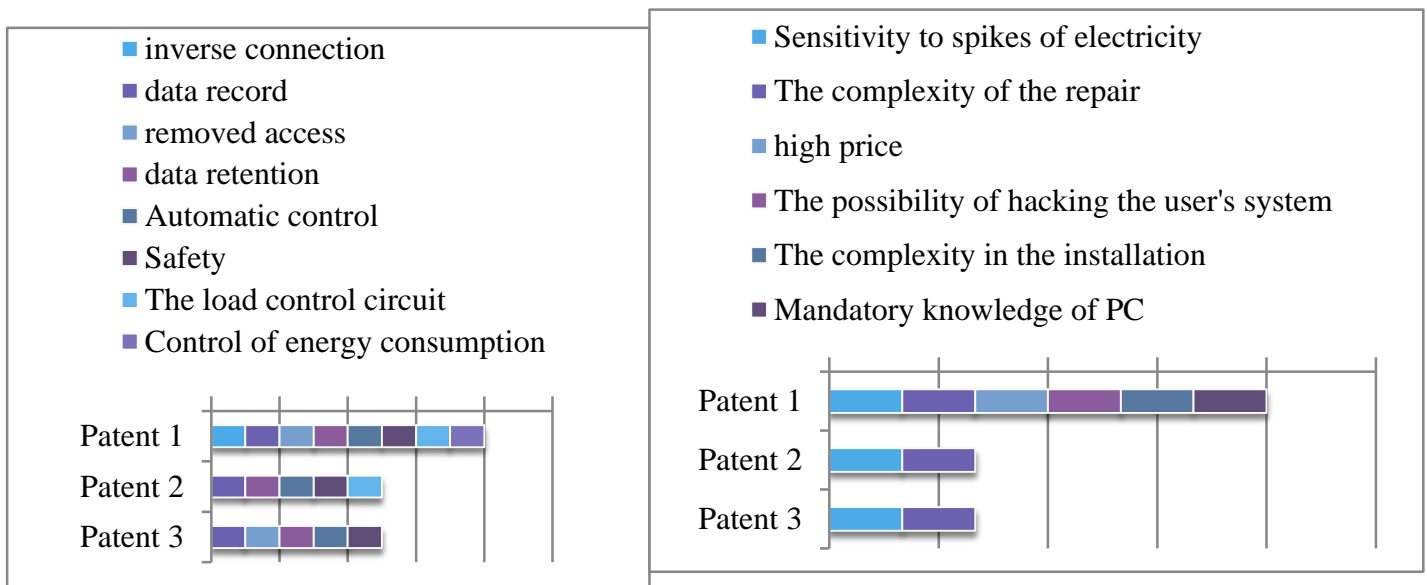


Figure 1 - Schedule efficiency and schedule of patents disadvantages of patents. Based on these examples, I made the third graph, for greater clarity, co-ll take advantages and disadvantages.

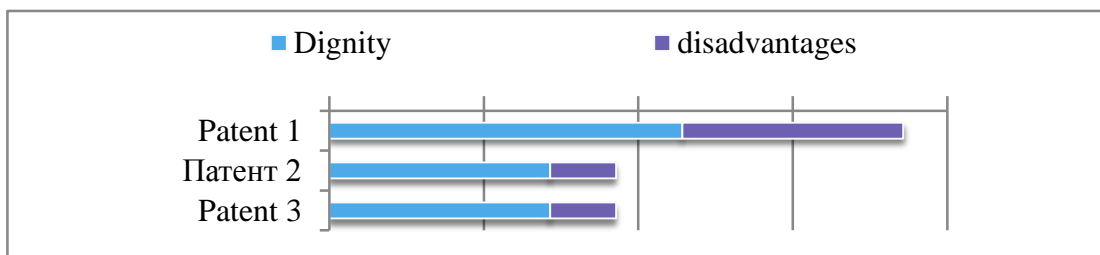


Figure 3 - Graph of the ratio of advantages and disadvantages of patents.

On the chart the efficiency is allocated first patent, he has more positive characteristics than the other two. As the first patent stands out on the chart and disadvantages. The other two patents on the charts "go shoulder to shoulder", both in terms of performance and shortcomings. From here we can conclude that the expensive and fancy stuff requires more material, though it is more

power efficient at the expense of control energy. The other two patents and is simple to install and can be purchased at an affordable price and energy efficiency they do not differ. Their difference lies in certain options, for example, a third patent has remote access as opposed to the second, and the second enables the automatic control of the load circuit, which can not implement the third. In conclusion we can say that in spite of the expensive equipment patent 1 has a higher efficiency and its high cost will pay for itself after a while.

**Bibliography:**

1. Pat. 2575871 OF THE RUSSIAN FEDERATION, IPC H02J13/00, H04Q9/00, G05B11/01. Description of the patent of the[System resource measurement and method of using such a system for the intelligent tion energy]/Koninklijke Philips electronics N. In. (NL). – 2013126426/07; declared 24.10.2011; publ. 20.02.2016; bul. No. 5.- C. 2.
2. Pat. 147371 OF THE RUSSIAN FEDERATION, IPC G01R11/00. Electricity meter with an adaptive automatic control system./ Hancewicz Alexander Vladimirovich (RU). - 2014125615/28; stated 24.06.2014; publ. 10.11.2014 ; bul. No. 31.
3. Pat. 145771 OF THE RUSSIAN FEDERATION, IPC G01R21/06. Electricity meter three phase with the possibility of remote installation./ Belyaev Alexandr Nikolaevich (RU), Cushions Alexander Vladimirovich (RU), Batelco Dmitry V. (RU). - 2014121139/28; stated 23.05.2014; publ. 27.09.2014; bul. No. 27.

# IMPROVING THE EFFICIENCY OF LIGHTING

**Anastasia A. Bikeeva**

4th year student of the department "Agroengineering"  
Achinsk branch of the Krasnoyarsk State Agrarian University  
Russia, the city of Achinsk

**Pavel P. Dolgikh**

scientific adviser

Ph.D., Associate Professor, Department of Energy Systems  
FGBOU IN «Krasnoyarsk State Agrarian University» Russian city Krasnoyarsk

**Abstract:** The methods of rational organization of street lighting systems on the basis of scientific and technological progress. An example of race-couple lighting systems based on LED, induction and sodium is-light source.

**Keywords:** outdoor lighting systems, light sources, the calculation of the street and of lighting fixtures efficiency.

Organization of street lighting settlements requires a rational decision of a number of tasks - from the installation of street lighting poles to the introduction of technology reasonable to energy and regulated by a number of regulatory documents [1, 2, 3].

Designing lighting systems prior to calculation, the initial data for which are: minimum and average illuminance, defined by norms, the type of IP-light source and the lamp, as well as the height of the installation, determined limits glare and other considerations related to the specific conditions of the proposed facility [4].

In this case the calculation is:

when normalized average illuminance

$$E_{cp} = \frac{1}{\pi D b K_3} \sum_{i=1}^M U_{Ei} \Phi_{\lambda i} N_i, \quad (1)$$




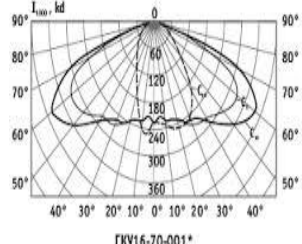
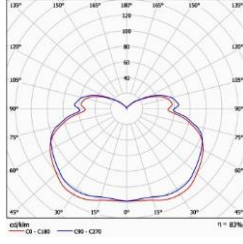
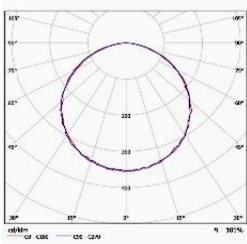
when the average brightness of the road surface

$$L_{cp} = \frac{1}{\pi D b K_3} \sum_{i=1}^M U_{Li} \Phi_{\lambda i} N_i, \quad (2)$$

where  $D$  - a step lamps,  $m$ ;  $b$  - the width of the illuminated area,  $m$ ;  $K_3$  - safety factor;  $U_{Li}$  - coefficients of luminous flux for illumination and brightness for a number of lighting fixtures;  $\Phi_{\lambda i}$  - luminous flux of the lamp  $i$ -th row,  $lm$ ;  $N_i$  - the number of luminaires on the same support;  $M$  - the number of rows with lamps..

Calculation carried out for street lighting, organized by CEE-luminaires with LED, induction and sodium light sources, as described in [5], the characteristics of which are summarized in Table 1.

Table 1 - Characteristics of luminaires for street lighting

Параметр	Luminaire with sodium lamp high pressure lamp	Lamp with induction lamp	LED lamp
Appearance			
The light output of the light source, $lm / W$	100-110	80-160	95-140
Service life, hour	15000	60000	50000
Power Kit (lamp + ballast), $W$	150	150	140
Luminous flux lamp, $lm$	14500	12750	15400
The curve of luminous intensity (CIL)			

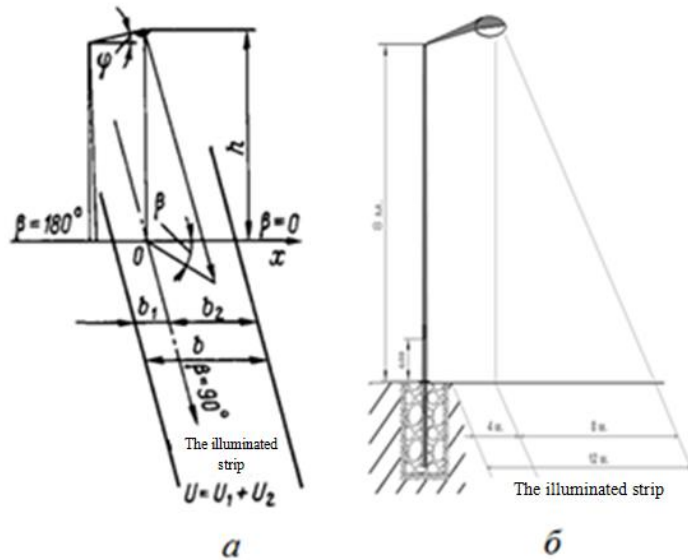


Figure 1 - The calculation of the street lighting systems: a - scheme for the calculation; b - a support with data for calculating

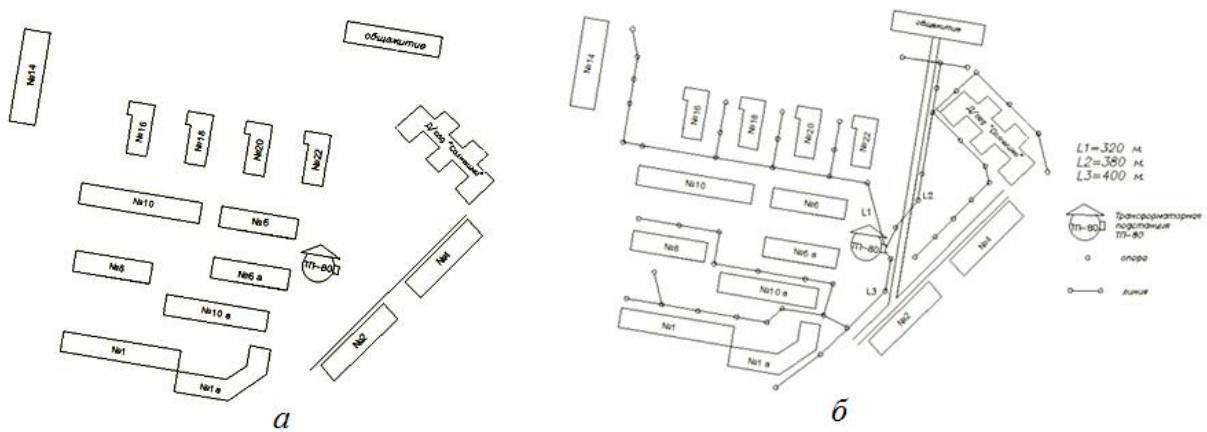


Figure 2 - Street plan: a - without any street lighting system; b - designed street lighting system

Table 2 - Results of calculation of street lighting systems

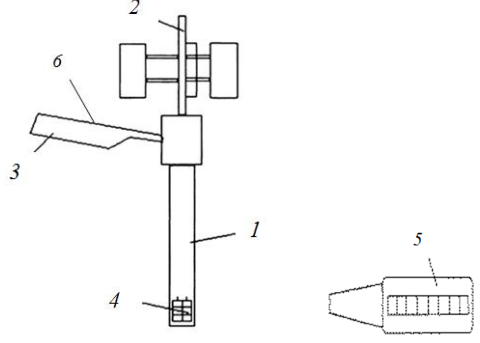
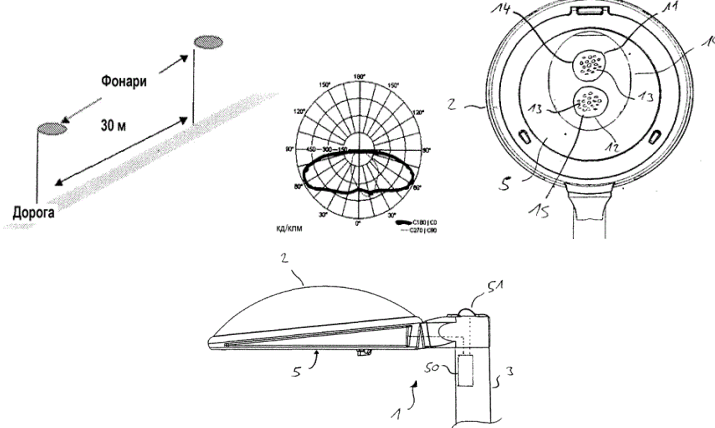
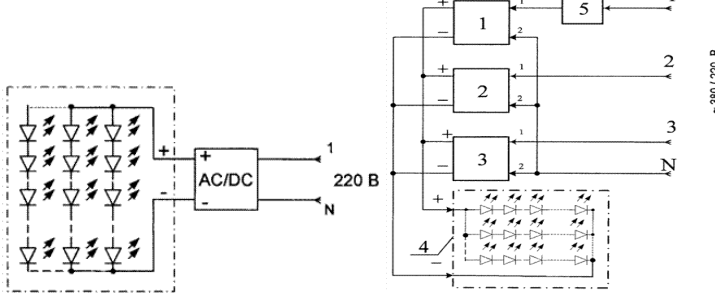
View street lighting system	Number of points of light, ny	Installed power, kW	Annual electricity consumption (3500 hours) kW·h per year
On the basis of luminaires with high pressure sodium lamp	56	8,4	29400
Based on the fixtures with induction lamp	56	8,4	29400
On the basis of LED lamps	56	7,8	27300

As can be seen from Tables 1 and 2, the real effectiveness of street lighting systems can not be obtained from the energy savings, and reduction of the operating system cost. In the case of the organization based systems with lamps and LED lamps induction operational costs can be four times less than the system constructed on the basis of lamps with high pressure sodium lamps. This is four times the difference in service life.

To organize efficient street lighting developed enough methods, devices and equipment [6, 7, 8], which provides an analysis in Table 3.

Table 3 - Analysis of techniques and methods to improve the efficiency of street lighting systems

Title	Picture and description	The essence of the technical solution
-------	-------------------------	---------------------------------------

<p>Stand-alone source of electricity for street lighting [6]</p>	 <p>1 - support pillar; 2 - together with the wind turbine power generator; 3 - light; 4 - battery; 5 - line LED; 6 - solar panel.</p>	<p>The device is aimed at improving the reliability of the lighting systems. Ruler and solar panel at an angle to the horizontal, depending on the location of the illuminator, and is equipped with a wind turbine rotor blade type with a vertical axis of rotation.</p>
<p>The lamp unit and the lamp for lighting of roads and / or streets [7]</p>	 <p>1 - lamp; 2 - Spotlight; 3 - Bearing; 4 - the case; 5 - a plate; 10 - illumination unit; 11.12 - light sources; 13 - LED; 14.15 - lens.</p>	<p>Simplification of the light distribution adjustment by improving the lighting unit and the lamp. To this end, we used light-emitting diode is directed in a particular direction to individually illuminate a certain area around the lamp.</p>
<p>Energy saving outdoor lighting fixtures [8]</p>	 <p>1,2,3 - braking the driver; 4 - LED block; 5 - thermostat.</p>	<p>It provides uniform illumination in the transition of the automated system in the power-saving mode. Three-level regulation of the luminous flux of each lamp by switching each of the three phases of the network from a central node or control points in a three-phase and single phase tripping.</p>

The analysis techniques and methods of organization of street lighting systems revealed three main areas to improve efficiency:

- it is necessary to use energy-efficient light sources with improved performance characteristics;
- the use of control devices in space and time characteristics of the lighting system can provide additional energy savings and extend the functionality;
- the use of autonomous energy sources will increase the reliability and reduce the load on the central power system.

**Bibliography:**

1. Rulebook SP 52.13330.2011. Natural and artificial lighting. Actlysed edition of SNiP 23-05-95. Official publication. JSC "LAC". - M.: 2011. - 75 p.

2. GOST R 55844-2013. Lighting external utilitarian road pedestrian areas. The edition, of the official. Standartinform. M.: 2014 - 8.
3. GOST R 55706-2013. Lighting external utilitarian. Classification and standards. M.: Standartinform, 2014. - 12 p.
4. GM Knorring Handbook for the design of electric lighting / GM Knorring, IM Fadin, VN Sidorov. - 2nd ed. Revised. and ext. - SPb.: Energoatomisdat. St. Petersburg dep-set. 1992. - 448 p.
5. Dolgikh PP On energy saving lighting in urban / PP Dolgikh, VR Zavey-Boroda, MV Samoilo // Energy Efficiency city life support systems: Materials IX All-Russian scientific-practical conference under the general editorship. MS Pronina. Krasnoyarsk: MVTs «Siberia», 2008. S. 53-58
6. Liu Shin Zu DA RF Patent № 109264. MKI7F21S9 / 02. Stand-alone source elektroenergy for street lighting / DA Liu Shin-Zoo, AV Yanchenko. Publ. 10.10.2011. Bull. №28.
7. Rami Jean-Paul. Patent of Russian Federation № 2536179. IPC F21S8 / 00, F21S8 / 08, F21V23 / 04, H05B33 / 08. The lamp unit and the lamp for lighting of roads and / or streets / Rami Jean-Paul, Rocard Florian. Publ. 12/20/2014. Bull. №35.
8. Swan LN Patent of Russian Federation № 2452893. MPKF21S8 / 00. Energy-saving lighting outdoor lighting / LN Swan. Publ. 10.06.2012. Bull. №16.

# THE FEASIBILITY OF ENERGY SAVING LAMPS

**Bulatova Veronika Andreevna**

Vaskina Anna Andreevna

2 students of a course of department of agroengineering  
Achinsk branch of Krasnoyarsk state agricultural university  
Russia, Achinsk

**Kosyrev Nikolay Nikolaevich**

research supervisor

к.ф. - м of N, the associate professor of agroengineering  
Achinsk branch of Krasnoyarsk state agricultural university  
Russia, Krasnoyarsk

**Summary:** In this work experimental comparison of electrotechnical and lighting characteristics of household lamps is carried out. The recommendations concerning replacement of traditional glow lamps are provided

**Keywords:** lighting, glow lamps, luminescent lamps, LED lamps

More than hundred years has passed from the moment of emergence of the first glow lamp and since then the mankind actively uses these lamps for lighting of the houses, cities, workplaces and production rooms. And only for the last several decades alternative illuminants have begun to develop widely. On replacement of threads of an incandescence have suggested to use all the known luminescent lamps, and to replace them already hurry light-emitting diode [1].

However, whether it is worth changing to change all glow lamps for energy saving at once? To give the answer to this question, it is necessary to compare, first, energy consumption of various lamps with identical lighting characteristics (according to the producer): LED lamp, luminescent and traditional glow lamp. Secondly, based on data on energy consumption it is necessary to carry out calculations for payback. In this work we have accepted the average settlement payback period equal to four years. If the payback period exceeds this time interval, then expediency of application of energy saving lamps is absent [2].

In order that it is correct to count payback of a LED lamp, it is necessary to find out the following parameters:

approximate operating time of a lamp per day;

time of no-failure operation of a lamp which is subject to replacement by light-emitting diode;

cost of one kilowatt of energy;

period of work of a LED lamp;

cost of a LED lamp of the power necessary for you.

For research of lighting characteristics of lamps the scheme of tests offered in work [3] has been used.

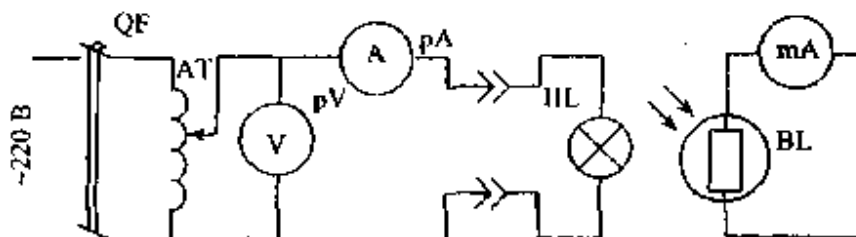


Figure 1 – The electric schematic diagram of installation for research of characteristics of household lamps: QF – the automatic switch, AT – the autotransformer (LATR) – isn't used at test of LED and luminescent lamps; PA – the amperemeter; PV – the voltmeter; HL – the glow lamp; BL – a photo cell; mA - the milliamperemeter

## List of references:

1. <http://indeolight.com/lampy-i-svetilniki/svetodiodnye/tehnicheskie-harakteristiki-svetodiodnyh-lamp.html>
2. <http://www.3dnews.ru/775532>

3. P.P. Dolgikh, Ya.A. Kungs, N. V. Tsuglenok. Laboratory workshop and course design on lighting and radiation. - Krasnoyarsk. – 2002. – 279 pages.



# THE STAND FOR RESEARCH OF CHARACTERISTICS OF LIGHTING LAMPS

**Ivan S. Verner**

**Vasily P. Maltsev**

students 4 courses of department of Agroengineering  
Achinsk branch of Krasnoyarsk state agricultural university  
Russia, city of Achinsk

**Elena I. Zaytseva**

Research supervisor  
master of equipment and technology,  
senior lecturer of department of Agroengineering  
Achinsk branch of Krasnoyarsk state agricultural university  
Russia, city of Achinsk

**Abstract:** In work the possibility of creation of the universal stand for studying of characteristics of sources of lighting is considered.

**Keywords:** lighting, power efficiency, lighting installations, lighting sources, energy saving.

The competent decision of systems of lighting allows to reach big efficiency in a rational expenditure of the electric power. It is very important to apply correctly modern light sources, to organize the general lighting in rooms with adjustable illumination, to maintain its (illumination) at a necessary minimum level with additional local illumination of workplaces and recreation areas. The modern market of the electrotechnical equipment offers the big range of modern table, wall and floor lamps.

To carry out replacement of lamps at the enterprise - not it simple business. It is necessary to change all system of lighting in general, at design of the production room the system of power supply including system of lighting completely pays off. The type of lamps which can be used for the solution of a task is specified in project documentation. And as the majority of production rooms in Russia were projected and under construction during the Soviet period, the majority of modern energy saving lamps simply don't approach in the parameters old networks. Therefore there is a need of replacement of all system of lighting and when replacing old system of lighting on modern, "clever", the economy will be much bigger, than at usual replacement of lamps.

Relevance of the zealous relation to energy resources, their rational use has arisen in connection with continuous increase in tariffs for energy resources against the general increase in consumption.

In modern apartments, educational institutions and offices usual, habitual for us since the glow lamp childhood, have begun to replace with luminescent and energy saving lamps. Despite quite high (in comparison with glow lamps) the cost, these lamps serve several times longer (many producers guarantee 15, and even 25 years of service of the products), and light from them more natural, is similar to day. And here ordinary glow lamps give yellowish light which can often become the sight easing reason.

Teachers and students of Achinsk branch of Krasnoyarsk GAU develop the universal stand for research of electric characteristics of energy saving lamps.

As a result of the carried-out works assembly diagram of the stand has been made, the model basis is made, the arrangement of devices and devices at the stand (fig. 1) is specified.



Figure 1 - The installed devices and devices on the basis of the stand

During implementation of the project have performed electric installation work on assembly of the model and have carried out an inspection of operability of the stand. Now there was an opportunity to investigate power expenses of different sources of lighting and an expense of the electric power. All works on test of lamps are performed at the stand within 45 min.

We unite the received indications in table 1.

Table 1 – Results of tests of lighting lamps

Type of lamps	Power of a lamp [W]	Operating time (hour)	Instrument reading of the accounting of the electric power (kW)	Tariff (rub).	Sum for payment (rub).
luminescent	40	0,75	0,03	1,9	0,057
energy saving	8 (1:5)	0,75	0,006	1,9	0,0114
halogen	35	0,75	0,026	1,9	0,05
incandescence	40	0,75	0,03	1,9	0,057
light-emitting diode	5 (1:8)	0,75	0,00375	1,9	0,007

Trained can determine various parameters and characteristics of lighting lamps by this laboratory stand that allows to carry out the comparative analysis, to understand merits and demerits, thereby it is better to master lecture material.

The comparative analysis of efficiency of light sources when replacing glow lamps by compact luminescent and LED lamps, shows that initial capital expenditure when replacing glow lamps by LED lamps is considerable. However in the long term they pay off through the period slightly more than a year. When replacing glow lamps by compact luminescent lamps benefit is more obvious as the payback period doesn't exceed 70 days.

#### **Bibliografy:**

1. I.S. Verner, V.P. Maltsev. Research of electrotechnical and lighting characteristics of the sources of radiation applied in agrarian and industrial complex. <http://eraofscience.com/Statii/2-28.pdf>

# DEVELOPMENT OF THE PROGRAM COMPLEX FOR REMOTE CONTROL OF THE FREQUENCY ELECTRIC DRIVE

**Globa Maxim Dmitriyevich**

Student 2 courses of department of Agroengineering  
Achinsk branch of Krasnoyarsk state agricultural university  
Russia, Achinsk

**Kosyrev Nikolay Nikolaevich**

Research supervisor  
к.ф. - м of N, the associate professor Agroinzhenerii  
Achinsk branch of Krasnoyarsk state agricultural university  
Russia, Krasnoyarsk

**Summary:** In this work the architecture of a program complex is developed for the remote control of the frequency electric drive including Windows server for contact with the frequency converter Vesper and Android – the client for the operator.

**Keywords:** frequency electric drive, energy saving, architecture client server

Transition from the unregulated electric drive to adjustable is one of the main ways of energy saving in the electric drive and in the technological sphere means of the electric drive.

As a rule, need of regulation of speed or the moment of electric drives of production mechanisms is dictated by requirements of technological process. For example, the speed of giving of a cutter defines purity of processing of a detail on the lathe, reduction of speed of the elevator is necessary for exact positioning of a cabin before a stop, need of regulation of the moment on a shaft of the reeling-up device is dictated by conditions of maintenance of constancy of effort of a tension of the reeled-up material etc.

As frequency of rotation of a magnetic field of the stator

$n_0 = 60f/p$ , that regulation of frequency of rotation of the asynchronous engine it is possible to make change of frequency of the feeding tension [1].

The principle of a frequency method of regulation of speed of the asynchronous engine is that, changing the frequency of the feeding tension, it is possible according to expression at invariable number of couples of poles  $p$  to change the angular speed of  $n_0$  of a magnetic field of the stator. This way provides smooth regulation of speed in the wide range, and mechanical characteristics possess high rigidity.

For receiving high power rates of asynchronous engines (power factors, useful effect, reloading ability) it is necessary to change along with frequency and the brought tension. The law of change of tension depends on character of the moment of loading of  $M_s$ . At the constant moment of loading tension on the stator has to be regulated in proportion to frequency.

Mechanical characteristics HELL are given in fig. 1 at frequency regulation

With reduction of frequency of  $f$  the critical moment decreases in the field of small frequencies of rotation a little. It is explained by increase of influence of active resistance of a winding of the stator at simultaneous decrease in frequency and tension.

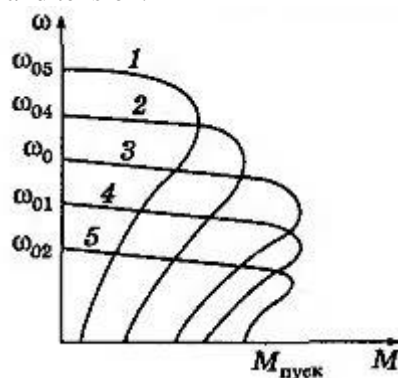


Figure 1 – Mechanical characteristics of the asynchronous engine at frequency regulation

Frequency regulation of speed of the asynchronous engine allows to change rotation frequency in the range (20 - 30): 1. The frequency way is the most perspective for regulation of the asynchronous

engine with a short-circuited rotor. Losses of power at such regulation are small as sliding losses are minimum.

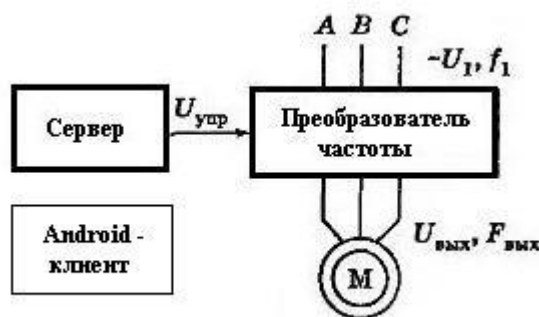
The majority of modern converters of frequency is constructed according to the scheme of double transformation. They consist of the following main parts: link of a direct current (uncontrollable rectifier), power pulse inverter and control system.

The link of a direct current consists of the uncontrollable rectifier and the filter. The alternating voltage of a power line will be transformed in it to tension of a direct current.

The power three-phase pulse inverter contains six transistor keys. Each winding of the electric motor is connected through the corresponding key to positive and negative conclusions of the rectifier. The inverter carries out transformation of the straightened tension to a three-phase alternating voltage of the necessary frequency and amplitude which is put to electric motor stator windings.

In output cascades of the inverter as keys power IGBT transistors are used. In comparison with tiristor they have higher frequency of switching that allows to develop an output signal of a sinusoidal form with the minimum distortions. Regulation of output frequency of the I-st and output tension is carried out due to high-frequency pulse-width modulation.

Within this work the architecture of a program complex is developed for the remote control of the frequency electric drive including Windows server for contact with the frequency converter Vesper [2] and Android – the client for the operator. The block diagram of a hardware and software system is shown in fig. 2



#### List of references:

1. <https://ru.wikipedia.org>
2. Frequency converter Vesper. The operation manual M.:2009 – 34 pages.

# MOBILE COMPLEX FOR RESEARCH OF PHYSICAL PROPERTIES OF THE SOIL

**Zhalimov Ruslan Ravilyevich**

Student 2 courses of department of Agroengineering  
Achinsk branch of Krasnoyarsk state agricultural university  
Russia, Achinsk

**Kosyrev Nikolay Nikolaevich**

Research supervisor  
к.ф. - м of N, the associate professor Agroinzhenerii  
Achinsk branch of Krasnoyarsk state agricultural university  
Russia, Krasnoyarsk

**Summary:** In this work development of a mobile complex for creation of cards of physical properties of the soil is considered.

**Keywords:** soil science, mobile complexes.

Since ancient times all human efforts in production of crops have been concentrated on the main thing - receiving a harvest which, first of all, depends on physical properties of the processed soil. Eventually, with development of agricultural science, the new methods of production of crops new of cars and agrotechnologies have appeared.

With the advent of modern technologies, for example, such as systems of global positioning (GLONASS, GPS), on-board computers and sensors installed on the hinged equipment and also the special software open great opportunities for an assessment of capacity of the processed soils.

One of Basic Elements of resource-saving technologies in agriculture is "exact agriculture" - it is management of efficiency of crops with the accounting of vnutripolny variability of habitat of plants. Conditionally speaking, this optimum control for each square meter of the field [1]. The purpose of such management is receiving the maximum profit on condition of optimization of agricultural production, economy of economic and natural resources. At the same time real opportunities of production of qualitative production and preservation of environment open.

Such approach as St. Petersburg shows the international experience and Agrofizicheskogo's experience by scientific research institute, provides much bigger economic effect and, the most important, allows to increase reproduction of soil fertility and level of ecological purity of agricultural production. For example, the farmer from Germany at introduction of elements of exact agriculture has achieved increase of a harvest for 30% at simultaneous decrease in costs of mineral fertilizers by 30% and on inhibitors by 50%.

Exact agriculture includes a set of elements, but everything them can be broken into three main stages:

- 1) Collection of information about economy, the field, culture, the region;
- 2) Analysis of information and decision-making;
- 3) Implementation of decisions - carrying out agrotechnological operations;

The work brought to your attention is devoted to development of the equipment for realization of the first stage of exact agriculture in educational economy of "Kanonerovskoye", namely to creation of a mobile complex for obtaining information on properties of the field with a binding to GPS (GLONASS) to satellites.

## List of references:

1. [http://agrophys.ru/precision\\_agro](http://agrophys.ru/precision_agro)

# ANALYSIS OF CURRENT TRENDS OF DEVELOPMENT OF CONTROL SYSTEMS OF STREET LIGHTING

**Lev A. Kilyakov**

student of 1 course of department of agroengineering  
Achinsk branch of Krasnoyarsk state agricultural university  
Russia, city of Achinsk

**Elena I. Zaytseva**

research supervisor  
master of equipment and technology  
senior teacher of department of agroengineering  
Achinsk branch of Krasnoyarsk state agricultural university  
Russia, city of Achinsk

**Abstract:** in work the modern automated systems of external lighting, their advantage and shortcomings are considered.

**Keywords:** street lighting, control system, energy efficiency.

Purpose of the integrated control systems of lighting is, first of all, increase in energy efficiency, increase of comfort of housing, improvement of operational characteristics of production buildings. Researches of simple control systems of lighting on the basis of analog sensors have shown that similar systems allow to reduce electricity consumption rather effectively. Advanced technologies of management of lighting give still big economy, have additional potential and have a number of advantages in comparison with simple methods of management.

The main directions of development CSL (control systems of lighting) are: - use of energy saving sources of lighting with high lighting characteristics; - use of intellectual networks of management.

Control systems are divided into two classes: - SAC (system of automatic control) which aren't including the person in a contour of management of process; - ACS (automated control systems) including the person in a contour of management of process.

Advantages of introduction of control systems of lighting in scales of the city are visible at once:  
- decrease in energy consumption due to reduction of power of lighting installations;  
- simplicity of maintenance and diagnostics;  
- reduction of influence of a human factor by system in general that reduces probability of mistakes in management.

The existing control systems can be classified by several signs having the merits and demerits (tables 1 and 2). We will consider a power effective control system of street lighting such system which supports the standard level of illumination of roads and sidewalks at the smallest expenses of the electric power, providing at the same time a qualitative standard of living of people. In this work the way of regulation of power of system isn't considered.

Table 1 – Classification by a way of management of lighting

Way of management of lighting	Advantages	Shortcomings
According to in advance set schedule.	- the possibility of an error of management and false operation is excluded. Conditions of inclusion are rigidly set and don't change eventually; - the simplest in the organization and service system. Feedback, the analysis of any sizes aren't required, the system is customized once at implementation.	- low adaptability to external conditions. Change of the put algorithms is made only manually and takes a long time; - low accuracy of management. Lack of feedback and impossibility of preguessing of all options of a state of environment considerably reduce a regulation optimality.
According to indications of sensors.	- a possibility of expeditious obtaining information on any object in system. Sensors work in real time and at any time can provide necessary information	- rise in price. Primary organization of a control system becomes complicated, more careful study of control algorithms is necessary, and also

	<p>on the state (illumination level, existence of the movement and t of);</p> <ul style="list-style-type: none"> <li>- adaptability. At the correct control the system will adequately react to any external conditions;</li> <li>- flexibility. At sufficient sensitivity of sensors it is possible to receive the most optimum control mode.</li> </ul>	<p>the hardware component and program realization of system become complicated;</p> <ul style="list-style-type: none"> <li>- a possibility of false operations at refusal or malfunction of sensors.</li> </ul>
Intellectual control systems.	<p>Streetlights are equipped with actuation devices (controllers) via which remote inclusion / switching off and multilevel regulation of brightness is carried out. These controllers are united in a network which control is exercised of the adaptive program allowing to measure, analyze and reduce at the same time energy consumption.</p>	

On a way of management of the most perspective intellectual systems are, but they are experimental and don't find broad application yet.

Table 2 – Classification by the number of levels of management in system [1]

The number of levels of management in system	Advantages	Shortcomings
Group management of lighting.	The simplest in the organization and service system. Feedback, the analysis of any sizes aren't required, the system is customized once at implementation. Low cost.	The main lack of such system of her one-orientation and lack of feedback between elements.
Individual management of lighting.	Allows to organize individual control of each lamp.	One-orientation, lack of feedback between elements.
Individual management of lighting with feedback.	Application of feedback between elements of system is possible that does it much more flexible and functional.	- rise in price. Primary organization of a control system becomes complicated, more careful study of control algorithms is necessary, and also the hardware component and program realization of system become complicated.
Control system of lighting without intermediate control centers.	There is no intermediate link of management.	Load of the central control office raises.

Development of systems with feedback as in intellectual control systems of lighting data processing has to be carried out from each object of system (streetlight) is perspective now, and the operating decisions have to be made according to the obtained data and criteria of an optimality.

The analysis of the existing control systems of street lighting has shown that now, significant and actual development of the intellectual control systems allowing to measure, analyze and reduce at the same time consumption of electric energy is priority. Practical realization of control systems has to be based on individual management and regulation of each lamp having without fail feedback with control office.

#### **Bibliografy:**

1. Automated management of street lighting. [Electronic resource]: website / «Energosovet» a portal on energy saving. – Access mode: <http://www.energsovet.ru/stat480.html>.

# FEATURES OF VENTILATION OF LIVESTOCK ROOMS

**Vladislav O. Kozlikin**

student 3 courses of department of Agroengineering  
Achinsk branch of Krasnoyarsk state agricultural university  
Russia, city of Achinsk

**Elena I. Zaytseva**

Research supervisor  
master of equipment and technology,  
senior lecturer of department of Agroengineering  
Achinsk branch of Krasnoyarsk state agricultural university  
Russia, city of Achinsk

**Abstract:** In article questions of natural aeration of livestock rooms are considered.

**Keywords:** microclimate, air exchange, thermal balance.

Basis of high efficiency of any farm – the organization of the correct feeding and creation of an optimum microclimate in rooms where animals contain. Also cowsheds aren't an exception to the rules. As almost all the time animals will see off in stalls, in production rooms temperature and relative humidity of air which can lead not only to decrease in quality indicators of milk increase, but also provoke spread of diseases among animals. To create and support an optimum microclimate, resort to the device of the ventilation replacing the warm, damp, grown poor by oxygen air on pure, dry, fresh and cool.

Ventilation system designation: - ensuring necessary air exchange and cooling of air in cowsheds in case of keeping of animals in the summer on a leash.

Principle of work: the system works in two consecutive stages: cooling — ventilation; cooling is carried out by means of supply of cold water from pump station via pipelines of a high pressure to the room of a cowshed with further dispersion through nozzles over animals with formation of the cooling fog;

at the second stage fans in a cowshed create the air movement, blowing in animals and deleting the warm water vapor emitted by them and excess moisture;

the second stage of the fans inside the barn creates airflow , blowing animal and removing the heat they emit water vapor and excess moisture ;

automatic control of system is exercised of the climate computer on the basis of indications of the sensors installed in a cowshed according to the set parameters of temperature, humidity and working hours of pump station and fans.

Application purpose: increase in efficiency of cows due to reduction of a thermal stress and increase in appetite; reduction of long-term recession of dairy efficiency of cows in the conditions of high temperature in a cowshed.

Equipment of the cooling system:

2-4 lines of special axial fans;

the equipment of system of water supply in a cowshed consisting of pump station with devices of a filtration of water and accessories;

2-4 lines of pipelines of a high pressure, connecting and assembly elements, nozzles of a high pressure;

the control system consisting of the climate computer and sensors of temperature and humidity.

Ventilation is carried out usually in the easiest and available way — a compulsory or natural way. Fans of the different size, ventilating curtains, the light skates are for this purpose used.

At ventilation there are certain requirements, and the basic from them — room thermal insulation. Also requirements for clean air, lack of pollution in air, his filtrations. Installation of the fan usually trusts in the specialized enterprise and doesn't cause problems.

Recent trends in construction of cowsheds show increase in cases of use of light ventilating skates. The skate is an easy design as which material of production steel and aluminum, sometimes alpac which are covered with protective structure from corrosion act. At production polycarbonate, with thickness of walls ten millimeters is applied. Such design allows not only to ventilate the room, but also provides fine natural lighting that excludes costs of installation of lamps.



Ventilating curtains to which positive sides of work it is possible to refer low cost, a scope in work and use are often applied. Curtains can be closed as in the manual mode, and automatically that allows to exclude participation of the person, to make production less labor-consuming.

One more original idea — inflatable curtains. Their design consists of pipes which at inflation close a gleam, and become the closed wall. Adjustment of extent of filling of pipes is also possible in the automatic mode that it strongly simplifies a task of ventilation of livestock rooms.

The last from the considered ways — sliding panels which have such advantages as lightweight, durability, durability. Light transmission degree about hundred percent that is also the positive moment.

To provide optimum values of temperature and humidity in a cowshed, it is necessary to use systems of ventilation which are considered in the table.

Table – Comparative characteristics of devices of natural ventilation

Name of	Advantage	Shortcomings
Light skate	<ul style="list-style-type: none"> <li>- high efficiency,</li> <li>- it is easy-to-work, there is no need of the qualified service,</li> <li>- energy saving properties,</li> <li>ability to work without additional energy resources,</li> <li>- combination in lighting function,</li> <li>- long term of operation</li> </ul>	<ul style="list-style-type: none"> <li>- penetration of an atmospheric precipitation in the room;</li> <li>- if wind (especially in the winter) goes along the building case parallel to cowshed walls, then the probability of his zaduvaniye in an air vent of the skate is very high.</li> </ul>
Ventilating curtains	<ul style="list-style-type: none"> <li>- decrease in a thermal stress of dairy cattle,</li> <li>- improvement of quality of milk yield,</li> <li>- improvement of circulation of air masses.</li> <li>- high crash-worthiness,</li> <li>- possibility of installation of the electric drive,</li> <li>- ease and simplicity in service and leaving,</li> <li>- possibility of aeration and lighting of the room.</li> </ul>	<ul style="list-style-type: none"> <li>- in the summer, in the conditions of heat and high humidity, a curtain in folded form quickly wear out;</li> <li>- complexity of adjustment during the season;</li> <li>- it is operated only with the electric drive</li> </ul>
Inflatable curtains	<ul style="list-style-type: none"> <li>- the closed wall with high heat-insulating characteristics is formed;</li> <li>- high transparency.</li> </ul>	<ul style="list-style-type: none"> <li>- in the summer in folded form they often rot and quickly wear out;</li> <li>- rodents who spoil expensive material like to settle in them, doing it unsuitable for use;</li> <li>- it is operated only with the electric drive.</li> </ul>
Mobile panels	<ul style="list-style-type: none"> <li>- the high heat-insulating qualities;</li> <li>- low heatlosses in the winter and protection against high temperature during the summer period.</li> </ul>	<ul style="list-style-type: none"> <li>- the design doesn't allow additional loading;</li> <li>- violations of thermal insulation are possible;</li> <li>- the microclimate is formed only partially.</li> </ul>

It is correct to choose necessary system of ventilation for animal husbandry the accounting of the following important factors helps:

- 1) cowshed sizes,
- 2) ceiling height,
- 3) average temperature conditions in the region,
- 4) the prevailing direction and wind force.

Ventilation of a cowshed has to be correctly calculated and designed, only in this case it will effectively carry out the functions on providing an optimum microclimate.

#### **Bibliografy:**

1. <http://udm-snab.ru/stroitelstvo/6> (data from 3/15/2016)
2. <http://agro-profi.ru/2013/12/03/> (data from 3/15/2016)

# MULTIANGULAR ELLIPSOMETRIYA – THE PERSPECTIVE METHOD OF RESEARCH OF ENERGY SAVING THIN-FILM COVERINGS

**Mosquitoes Vasily Andreevich**

Graduate student of 1 year of training  
Siberian federal university  
Russia, Krasnoyarsk

**Kosyrev Nikolay Nikolaevich**

Research supervisor  
к.ф. - м of N, the associate professor Agroinzhenerii  
Achinsk branch of Krasnoyarsk state agricultural university  
Russia, Krasnoyarsk

**Summary:** In this work the possibility of application of a multiangular ellipsometriya for quality control of energy saving optical coverings is shown

**Keywords:** low-emissivity glass, polarization of light, thin-film coverings, ellipsometriya

Optical measurements play a key role in the knowledge-intensive production as don't exert impact on the studied sample. For example, a nondestructive and exact optical method - the spectral ellipsometriya (SE) [1] has the wide range of applications, such as measurement of multilayered structures, roughnesses of a surface, composite materials, etc.

On the other hand, magneto-optical effects of Kerr (MOKE) [2] are often applied as a method of studying of superficial magnetism. Thanks to ultrahigh sensitivity (a monolayer share), easy introduction and the local probing character, the MOKE method is applied to various spheres of thin-film magnetism, including magnetic phase transition, magnetic anisotropy, process of magnetic switching and transition of spin reorientation.

The combination of these two methods of research in one installation opens new important experimental opportunities.

The NanoMOKE2 [3] system is developed by the British company Durham Magneto-optics Ltd. also it is based on magneto-optical effect of Kerr measured by means of the reflected light with the micron permission (the spot size from 3 microns in the diameter). Within laboratory for magnetic characterization, this complex offers the highest sensitivity to magnetization of a sample together with microscopic permission.

This installation has great potential opportunities for measurement of various effects of polarization.

In this work the possibility to investigate optical properties of low-emissivity glasses on the NanoMOKE2 installation by method of a multiangular ellipsometriya is considered. Low-emissivity glass is the polished glass on which surface by a dusting it is applied the special, containing free electrons, a covering from semiconductor oxides of metals or non-ferrous metals [4]. At the expense of the phenomena of an interference and electric conductance glass with such covering reflects thermal waves in infrared range that allows to reduce heatlosses of the room significantly. Depending on technology of drawing a covering, its optical properties change and, therefore, its efficiency can be various.

## **List of references:**

1. Fujiwara H. Spectroscopic Ellipsometry. Principles and Application. Wiley, 2007. – 369 p.
2. Bader S.D. Surface magneto-optic Kerr effect//Journal of Magnetism and Magnetic Materials. – 1991. – V.100. – P. 440-454.
3. Durham Magneto Optics Ltd NanoMOKE 2 Specifications – DMO Ltd, 2009
4. <http://www.wikipro.ru>

# NEW ENERGY TECHNOLOGIES

**Lyadovskiy Evgeny Aleksandrovich**

Student 3 course direction "Agroengineering"

Profile "Electrical equipment and electrical technologies in agriculture"

Krasnoyarsk State Agrarian University branch Achinsk

Achinsk, Russia

**Fedorova Irina Alekseevna**

Master of engineering and technology

branch Achinsk Krasnoyarsk State Agrarian University senior lecturer Agroengineering Krasnoyarsk

state agrarian University Achinsk branch of the city

Achinsk, Russia

**Abstract:** The article discusses the use of certain areas of energy-saving technologies, they are disclosed.

**Keywords:** energy, technology, power, power, lighting, frequency converters.

Application of energy-saving technologies relevant today in all spheres of human activity, but in the first place - in the industry. It is to support the production cycles spent eighty percent of the energy. Issues concerning the application of energy saving technologies should be addressed comprehensively, this approach gives the maximum effect and can reduce energy consumption by 20-60%. Energy-saving technologies are a set of measures and actions aimed at reducing the useless energy loss. This is a new approach to production processes, characterized by higher efficiency of fuel and energy resources. According to experts, the share of energy costs in production costs in Russia reaches 30-40%. This is largely due to the use of obsolete equipment in large enterprises, in housing and other areas. For example, on most domestic companies still use electric motors with high power, which are designed for maximum load, although the peak period of work is only 10-15% of the total number of working hours. The solution may be optimization of the equipment through the use of electric drives, automation technology and production processes. Well established variable frequency drives with integrated power optimization. The frequency of rotation is changed depending on the actual load, and is often not necessary to change the standard motors in order to reduce costs for the modernization and saving electricity consumed reaches 30-50%. production modernization. These drives are particularly relevant for the creation of energy-saving mode in the mechanisms that part-time work with low load: PumpMaster is a joint project of the industrial group "Drive Technology" and LS Industrial Systems, and is produced in South Korea advanced automated production lines exclusively for Russia to implement energy-saving technologies. Quality control of each product is checked at all stages of production, from modern methods of non-destructive testing, the quality of metallization and varnishing of printed circuit boards, and ending with the assessment of the quality of the optical soldering method of comparing images and automatic verification. quality production, operating on the principle of "Six Sigma" system provides the highest level of reliability of products, providing energy savings. Thanks to energy-saving technologies of converters efficiently optimized processes. To solve the problems of energy saving should reduce motor rotor speed of the pump unit. PumpMaster installed between the power supply and the motor, to provide feedback to the discharge manifold at the outlet of pump units mounted pressure sensor. Energy-saving technologies based on the minimum water consumption: lower water consumption - the lower the frequency, formed by a frequency converter, and the greater the energy savings. PumpMaster equipped with built-in controller cascade control group of 5 motors, allowing no additional cost to implement control of the pump station, consisting of several pump units, united in the common collector and connect as needed. The introduction of frequency regulation and energy saving technology has become easier! Variable Frequency Drive is an ideal alternative to other methods of capacity control pumps and fans, including through the possibility of organizing their autonomy. The converters PumpMaster first implemented a new control algorithm, which ensures stable characteristics of the frequency converter, 24 hours a day, 365 days a year, and energy-saving technologies help to save life of equipment. Variable Frequency Drive is an ideal alternative to other methods of capacity control pumps and fans, including through the possibility of organizing their autonomy. The converters PumpMaster first implemented a new control algorithm, which ensures stable characteristics of the frequency converter, 24 hours a day, 365 days a year, and energy-saving technologies help to save life of equipment. The main advantages of using a frequency converter PumpMaster: • Energy saving (energy-saving technologies can reduce energy costs up to 50%); • productivity increase; • saving

equipment life; • payback period of an object to introduce PumpMaster converter is a short period (about 1 year). Converters PumpMaster frequency directed to an automatic power savings for pumps and fans. Modern energy-saving technologies can reduce energy costs up to 50%. PumpMaster is an intelligent universal device, contributing to energy saving and does not require any additional control systems. It has two built-in PID controller that can be used to provide feedback control, for example, simultaneously maintaining precise predetermined pressure and temperature. Further provided a smooth transition to the control mode feedback required, usually in the automatic water supply systems, in which pre-filling of the water pipe is required. Example houses, which in the future will allow a person to live in harmony with nature, while at the same time not depriving yourself familiar comfort, are so-called zero-energy houses (zero energy house) or passive houses (passive house), is the general term "energy efficient homes". "Energy Efficiency" will be considered as a house in which a comfortable temperature is maintained without the use of winter heating and summer - without the use of air-conditioning systems. To house was energy efficient in its construction must be done as follows:

1. The application of modern thermal insulation of pipelines of heating and hot water.
2. The individual source of heat and power (individual boiler or co-generation energy source).
3. Heat pumps using ground heat, heat vent air and wastewater heat.
4. Solar collectors in hot water supply system and cooling system in the room.
5. The door-heating system with heat meters and heat with individual control mode space.
6. The system of mechanical ventilation with individually controlled heat recovery and exhaust air.
7. Door-controllers that optimize heat consumption for heating and ventilation of apartments.
8. Protecting designs with increased thermal protection and heat-resistance specified parameters.
9. Utilization of solar heat radiation in the heat balance of the building based on the optimal choice of translucent walling.
10. Devices that use diffuse solar radiation to improve the illumination of premises and reduce energy consumption for lighting.
11. The choice of designs shading devices with the orientation and seasonally irradiance facades.
12. The use of heat return water heating system for the floor heating in the bathrooms.
13. The system of heat and power management, climate premises and building technology based on a mathematical model of the building as a single the heating system.

There are other ways of rational use of energy, not only in manufacturing but also in everyday life. Another view of the efficient use of energy-saving technologies is the use of so-called "smart" lighting. These energy-efficient lighting systems can reduce energy consumption tenfold. Energy-saving effect is achieved by the fact that the light is turned on automatically and only when it is needed. This is achieved by the embedded microphone and the optical sensor reacting to appearance of a person in the room. In the afternoon, with a high level of illumination, lighting is off. When dusk comes microphone activation. If within a radius of 5 m there is noise (for example, steps or the sound of a door opening), the light is automatically switched on and off, while the person is in the room. In addition, the "smart system" automatically adjust the brightness of the lamps, depending on the time of day. Another solution to save energy is to use modern energy-saving lamps. LED lighting can achieve significant energy savings compared with traditional light sources, light bulbs (80%) and fluorescent tubes (over 40%). These lamps can be used in a variety of lighting objects: underground pedestrian crossings and car parking, garden - park lighting, street lighting, in housing, and emergency lighting. There are also different: • energy-efficient technologies in transport • energy-saving technologies in heating • energy-saving technologies in the school • energy saving technologies and equipment • energy-efficient technologies and systems for industrial Energy Saving in Russia has long evolved from the popular slogan in the urgent problem to begin to solve the need to right now. Lack of natural gas and electric power during the onset of cold weather, the global fight against the global emissions of greenhouse gases into the atmosphere dictate the importance and the need to radically change the attitude to solving the problems of energy saving.

#### References:

1. Federal Law N 261-FZ "On energy saving and energy efficiency improvements and on Amendments to Certain Legislative Acts of the Russian Federation", dated November 23, 2009,
2. <http://www.ritsu.ru./sn29-energoberegayuschie-tehnologii.html>
3. Government Resolution "on urgent measures on energy saving in the field of extraction, production, transport and use of oil, gas and petroleum products» (№ 371 of 01.06.92 was)

# MÜLLER – ELLIPSOMETRIYA FOR QUALITY CONTROL OF ENERGY SAVING THIN-FILM COVERINGS

**Maximova Olga Aleksandrovna**

Graduate student 3 years of training

Institute of physics of L.V. Kirensky of the Siberian Branch of the Russian Academy of Science  
Russia, Krasnoyarsk

**Kosyrev Nikolay Nikolaevich**

Research supervisor

к.ф. - м of N, the associate professor Agroinzhenerii  
Achinsk branch of Krasnoyarsk state agricultural university  
Russia, Krasnoyarsk

**Summary:** In this work the possibility of application spectral Müller-ellipsometrii for quality control of energy saving optical coverings is shown

**Keywords:** low-emissivity glass, polarization of light, thin-film coverings, ellipsometriya

Low-emissivity glass is the polished glass on which surface by a dusting it is applied the special, containing free electrons, a covering from semiconductor oxides of metals or non-ferrous metals [1]. At the expense of the phenomena of an interference and electric conductance glass with such covering reflects thermal waves in infrared range that allows to reduce heatlosses of the room significantly. Depending on technology of drawing a covering, its optical properties change and, therefore, its efficiency can be various. It is possible to apply an ellipsometriya method which became very popular in the last several decades as the wide range of various experimental installations is so far developed for the polarizing analysis to quality control of such coverings.

Эллипсометрия - метод, основанный на применении поляризованного света для исследования оптических свойств объемных материалов или тонких пленок [2]. Истоки этого метода можно найти в девятнадцатом веке в пионерской работе П. Друде, который использовал отраженный поляризованный свет для изучения оптических свойств и толщины очень тонких металлических пленок. Из-за высокой чувствительности метод широко применяется как в науке, так и в промышленности.

Классические измерения эллипсометрия требуют, чтобы световой луч остается полностью поляризован в ходе эксперимента. Однако, при работе с реальными объектами (например – оконное стекло), данное условие часто не выполняется. Напомним, что можно говорить о полностью поляризованном световом пучке в том случае, когда относительная фаза между различными компонентами электромагнитного поля вдоль двух ортогональных направлений остается постоянной. Если по какой-то причине, присутствуют относительные фазовые изменения (спектрально, пространственно, и / или временно), свет становится частично поляризованным. В этом случае одиночные эллипсометрические измерения теряют физический смысл. Для измерения и интерпретации физических свойства частично поляризованного света надлежащим образом, необходимо использовать более общий метод, который называется Мюллер-эллипсометрией или поляриметрией [2].

Мюллер-эллипсометрия представляет собой оптический метод, который измеряет матрицу Мюллера 4 x 4 (MM), которая в общем случае имеет ненулевые компоненты. В случае стандартной эллипсометрии MM сводится к матрице, элементы которой линейно зависят от классических эллипсометрических углов  $\psi$  и  $\Delta$ :

$$M = \begin{pmatrix} 1 & -\cos(2\psi) & 0 & 0 \\ -\cos(2\psi) & 1 & 0 & 0 \\ 0 & 0 & \sin(2\psi) \cos \Delta & \sin(2\psi) \sin \Delta \\ 0 & 0 & -\sin(2\psi) \sin \Delta & \sin(2\psi) \cos \Delta \end{pmatrix} \quad (1)$$

In other words, Müller-ellipsometriya – the only method capable to fully characterize a polarizing response of any sample, including energy saving thin-film coverings.

**List of references:**

1. <http://www.wikipro.ru>
2. [1] M. Losurdo and K. Hingerl (eds.), Ellipsometry at the Nanoscale//Springer-Verlag

# COMBINED HEAT ANIMALS

**Medvedeva Victoria Gennadevna**

The student of 1 course of the Department AgroIntel  
Achinsk branch of Krasnoyarsk state agrarian University  
Russia, Achinsk

**Dolgh Pavel Pavlovich**

Supervisor  
Ph. D., associate Professor  
Achinsk branch of Krasnoyarsk state agrarian University  
Russia, Achinsk

**Abstract:** the Study of systems structures of systems of combined heating.

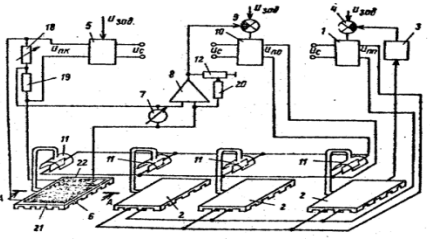
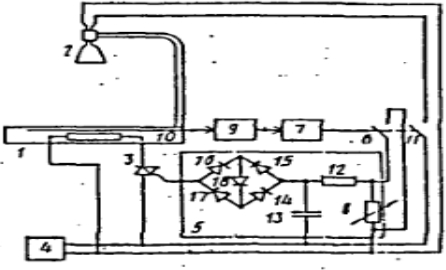
**Keywords:** Irradiation facility, combined heating.

### The relevance of the topic.

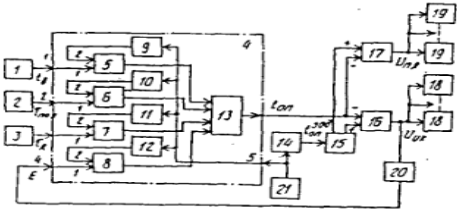
The use of irradiators in livestock buildings contributes to the necessary climate for the combined heating. In farms increased significantly obtaining progeny after the introduction of combined heating, has increased the safety of the young animals (from 72.8% to 97,6%).

The goal is to analyze systems of combined heating[1]

Table – overview of combined heating systems.

Name	A graphic and description	Distinctive features
<p>1.The device of temperature control in combined heating animals[1]</p>	 <p>1-voltage regulator; 2-outdoor electrically heated panels; 3-temperature sensor; 4-block of comparison; 5-regulator; 6-outdoor heater outdoor machine;</p>	<p>Before the appearance of the animal in the area of local heating serves the voltage on electrochemic located in the area locally heated. The device contains a microcomputer with power supply, two temperature sensors, four sensors current matching blocks.[1]</p>
<p>2. Combined-tion heating with capacitive sensor[1]</p>	 <p>1-outdoor obogrevateli; 2-IR emitter; 3 - throttle control element, comprising a heating element with a power source; 4 - power source; 5 - scheme of control management; 6 - pair of normally open contacts; 7 - the relay; 8-the fine resistor;</p>	<p>The control device for local heating with the capacitive sensor, the presence of animal-wow. The sensor probe is installed in halopro-aqueous layer napolino obogrevateli. The output of the presence sensor obogrevateli. The output of animal presence sensor is connected to the control input of the relay[1]</p>



<p>3. The device for implementing the method of heating by means of multichannel measurements of the thermal characteristics of the room[2]</p>	 <p>1-temperature sensor vozdukha; 2-sensor surface temperature of the heated panel(floor area); 3-temperature sensor internal surface of the cladding design-rd; 4-computing unit;</p>	<p>At the expense of mnogokanal-th dimension affecting on the heat transfer modes effect: increased accuracy of heated animals, you can reconfigure the modes of heating Isho-selected on the basis of the characteristics of the room[2]</p>
---	---	---

**Conclusion.**

The most efficient combined heating thermal effects on the animal organism. All the main advantages of the infrared and contact heat. Opportunity to significantly reduce the total thermal background indoors even refuse in some cases from heating of supply air.

**The list of references:**

1. The abstract of the topic: Rationale for parameters of local heaters for young farm animals. Author Rastimesina S. A. 40 S. G. 11.11.1996
2. Patent: Method of combined local energy-saving heating and device for its implementation. EN 2316955 the Authors Bartenev V. G., Chernov M. Y. 11.04.2003.
3. Patent: Device control local heating when the outdoor keeping of animals. EN 2169461 Author(s): Lebedev D. P., Borodin I. F., Samsonov S. I. 27.06.2001.

## DEVELOPMENT OF THE SYSTEM OF INTELLECTUAL STREET LIGHTING IN THE CITY OF ACHINSK

**Nikolay P. Pisany,**

student 3 courses of department of agroengineering  
Achinsk branch of Krasnoyarsk state agricultural university  
Russia, Achinsk

**Elena I. Zaytseva**

research supervisor  
master of equipment and technology  
senior teacher of department of agroengineering  
Achinsk branch of Krasnoyarsk state agricultural university  
Russia, city of Achinsk

**Abstract:** In work the possibility of creation of system of intellectual lighting in the city of Achinsk is considered.

**Keywords:** lighting, power efficiency, lighting installations, lighting sources, energy saving.

Application of architectural and art lighting in evening and night time forms the daily and festive image of the city. It is impossible to imagine the modern city without artificial lighting. The problem of lack of external lighting on streets of Achinsk exists only in the remote areas.

Object of research is reconstruction of external illumination of one of streets of Achinsk.

External lighting can be divided into two types - the main and decorative. The purpose of the main lighting is safety of the movement on city streets. Both pedestrians, and drivers of vehicles need lighting of roads and sidewalks to a night-time. As practice shows, on well lit sites of roads the probability of road accidents considerably decreases. Under similar conditions, it makes about 30% in comparison with unlit sites. And it not only dry words and figures, stands behind it life and human health.

The chief representative of sources of the main street lighting are console street lamps well familiar to us, simply speaking, lamps. Their power should be calculated so that they gave enough light, and at the same time, didn't blind participants of traffic. According to recommendations of experts, brightness of a luminescence of street lamps is chosen depending on intensity of traffic. And the movement is more active, the this site of the road has to be lit more brightly. Much attention at the same time is paid to a question of the correct arrangement of lighting installations. It influences quality of lighting too. It isn't necessary to ignore also such sources of the main street lighting as searchlights. Here only they light, as a rule, not roads, but parkings and some other objects, adjacent to streets, which need protection. The bright directed ray of light allows to see any undesirable movement where it shouldn't be.

Reduction of energy consumption of 30–50% is important not only in the economic plan - it is a real contribution to a solution of the problem of climate change and effective use of resources. The modern megalopolis consumes a huge number of energy. In the city of the average sizes about 40% of the general power consumption it is the share of lighting which besides functional lighting of streets and roads includes also decorative illumination of architectural monuments. The growing prices of energy and ecological factors force Achinsk to look for innovative solutions for use of more power effective street lighting. In the countries of the European Union such projects are supported by the growing number of the environmental standards demanding reduction of application of the products leading to emissions of heavy metals. So, for example, to cut down power consumptions and to reduce, thus, an adverse effect on ecology, in Europe the new legislation ordering application of electronic throttles in systems of street lighting has been developed.

The optimal solution of a problem considering both ecological, and economic factors is use of intellectual systems for management of street lighting: such systems, as, for example, the control systems on the basis of the LonWorks technology allowing to measure, analyze and reduce at the same time energy consumption. The network of management of street lighting on the basis of such technologies represents the open system with a possibility of expansion providing communication between the devices making her irrespective of their producer. Remote technologies allow to check and operate far off now "intellectual" system thanks to what expenses on maintenance are considerably cut, and also time which is required for carrying out repair work (it is possible to calculate the total duration of burning of lamps and to localize, thus, a possibility of an exit of the lamp out of operation) is reduced that isn't less important since. faultlessly operating street lighting will increase safety of residents of Achinsk.



Figure 1 – Software form

Application of the special software (S), for example, of Streetlight.Vision (fig. 1) and the effective network equipment, for example, of the new intelligent i.LON SmartServer server, expands possibilities of an intellectual control system of lighting even more: the software allows to collect and process millions of data arriving from street lamps and other devices and offers the end user a volume service package of Internet programs for performance of various functions of management of street lighting, including the analysis of power consumption, automatic recognition of mistakes, the warning measures for the maintenance of devices in a good shape, and also remote diagnostics and control of street lamps. ON it is also capable to forward collected data, for example, to the city operator center or a geographic information system (GIS). Servers act as controllers of segments of a network. They collect data from street lamps and transfer them to the city center of monitoring applying ON collecting and data recording. The server can differ in fast installation, simple management of a network and high operational reliability even in zones with the increased level of hindrances that is provided with new function of strengthening of a power line. Besides, such servers are supplied with the astronomical clock allowing them to define extent of natural lighting solar or a moonlight and according to it to regulate intensity of light of lamps. It raises service life of devices and cuts the expenses connected with energy consumption. All malfunctions are distinguished and eliminated automatically, it also reduces an idle time of lamps.

In the evening in the city it is necessary to provide the best light conditions. The modern lighting engineering allows to make much in this regard if when performing lighting installations to adhere to the general principles of the device of rational lighting and requirements given below for separate elements of external lighting. Lighting installations on streets can be divided into the following groups: street lighting, special illumination of facades of buildings, illumination of gardens and boulevards, illuminated signs and illumination of show-windows.

All listed groups of external lighting installations have to work in close proximity and interaction with each other. So, for example, on a facade of any building having special illumination light and from lamps of street lighting, and from the advertizing inscriptions and show-windows located opposite, etc. falls. Therefore the special attention has to be paid to mutual coordination of separate parts and unity of architecture and light registration of the residential district. Light registration has to be created always as part of harmonious composition of his evening shape.

Old light sources very ecologically and economically aren't favorable, but these problems can be fixed replacement by LED technologies.

In Achinsk the majority of light sources haven't simply become outdated, and even systematically just don't work.

Street diode lamps give an opportunity to create optimum conditions for external lighting.

Main differences of LED devices of lighting: durability, profitability and resistance to mechanical damages. Positive line of street LED lamps is also the economic indicator. This fact will help already in a couple of years to begin to reduce costs of Achinsk of lighting. This indisputable advantage of use of such lamps to street lighting. The economic party of such lamps is expressed that lamps can replace with power in some 9 W the lamp with the 60 W glow lamp. Therefore diode lamps of street lighting allow to reduce many times expenditure for electricity consumption. By the way, solid-state bulbs many times surpass technical characteristics of traditional devices of lighting.

Depending on scope of application diode lamps can be used in Achinsk for:

1. Lighting of the main roads, large automobile sites;
2. Creations of artificial lighting on minor roads (reflex lamps and lamps of a diffused light);
3. Architectural objects;
4. Walking paths, parks;
5. Covering of objects which have information character.

Street diode lamps became most popular when there was a question of economy of the electric power. It is expedient replacement to lamps with luminescent lamps and glow lamps. It is considered that diode lamps of street lighting can work for 50000 hours. It more than 6 years of continuous work. And in total with compactness, ease of installation and durability these characteristics have made diode lamps for lighting of streets the most popular option.

But simple diodes have no soft uniform light in difference of old glow lamps. For this purpose use polycarbonates, such as LEXAN LUX – Sabic.Podrazdeleniye SABIC Innovative Plastics has presented recently the new range of special polymers and compounds which optimize performance data, service life and esthetic properties of advanced LED lighting.

These materials include the should chlorinated fire-resistant (FR) polycarbonate (PC) Lexan polymer \* and a new special white heat-conducting compound of LNP \* Konduit \* for heat removal from SID which provides both stylish appearance, and excellent dispersion of heat for extension of service life of a lamp.

However, replacement will run into money, but approximately in a year will pay off energy saving. If to take the residential district in Achinsk, then on average it is about 10 sources of lighting. The average price of replacement about one thousand five hundred rubles, and on average comes to the residential district about fifteen thousand.

#### **Bibliografy:**

1. <http://elektrik.info>
2. "Energy saving". – 2008. - No. 1.

# ANALYSIS OF MODERN TRENDS IN THE DEVELOPMENT OF LIGHTING GREENHOUSES

**Pisanny Nikolai Pavlovich**

3rd year student of the Department of Agroengineering  
Achinsk branch of the Krasnoyarsk State Agrarian University  
Russia, the city of Achinsk

**Fedorova Irina Alekseevna**

Supervisor - Master of engineering and technology, a senior lecturer in "Agroengineering"  
Achinsk branch of the Krasnoyarsk State Agrarian University,  
Russia, the city of Achinsk

**Abstract:** In the article the question of analyzing greenhouse lighting of modern trends.

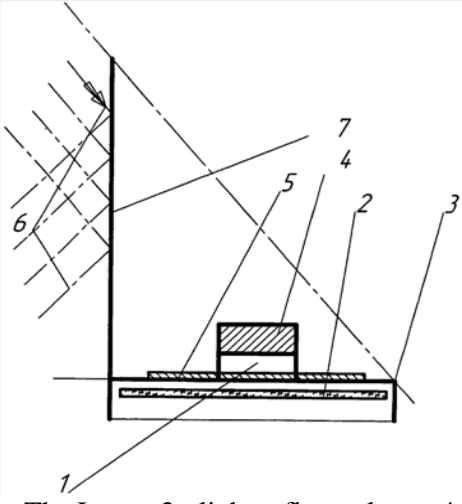
**Keywords:** lighting, greenhouse, trend analysis.

The microclimate in the greenhouse is created by the action of all process equipment systems - heating, ventilation, irrigation, power supply system, fertilizing carbon dioxide, artificial lighting; it also have the effect of climatic factors and phytocenosis (phytocoenosis - plant community characterized by a certain composition and the relationship between plants and the environment).

**GOALS AND OBJECTIVES:**

To conduct a comparative analysis of the methods of lighting the greenhouses in order to identify advantages and disadvantages.

№	Title of the invention	Advantages and disadvantages
1		<p>This model assumes that during the day (24 hours), the light intensity from maximum to minimum values smoothly changes twice, imitating night, sunrise, day, sunset, night again, etc. This contributes to accelerate plant growth, increased vegetative mass, as well as reducing the cost of electricity, it does not cause light "fatigue" plants.</p>
2	<p>1 reflector, 2 adjustable reflector, 3-attachment, 4,5,6,7-light-transparent plate, 8-connection rods and plates, 9- the total thrust.</p>	<p>The device is characterized by the presence of the rotary screen louver made of a translucent plate in the form of plate members. Each of the plates using a separate general thrust associated with the drive.</p>

<p>3</p>	 <p>1 – Light, 2. - The Lamp, 3 - light reflector lamp, 4. - electronic unit, 5. - the heat shield, 6. – sunbeams, 7. - mirror screen</p>	<p>This method of illumination for greenhouses different equipment artificial lighting consisting of innovative lamps Reflector lamp light, an electronic unit, characterized in that the apparatus is located over the lamp at the reflector center to the lamp, and among them there is a heat shield, and by the fall of the direct sunlight is vertical mirror screen for efficient distribution of sunlight.</p>
----------	--	---

CONCLUSION: As a result of the conclusion can be made a comparative analysis of what lighting greenhouses ray just to make combined heating method, and semi-natural light.

**Bibliography:**

1. Pat . 2397636 RF RUA01K1 / 00 , A01G9 / 14 C2. Lighting rasteniy. Tyshkevich EV Shabin SA, Vinogradova NL ( Russian Federation). - 2011143937/13 , 31.10.2011 stated ; publ. 12/20/2013 .
2. Pat . 2032315 Russian RU. Polyakov AV (RU), Pylenok PI (RU) Reported: 2003119943/12 , 04.07.2003 ( 24 ) Published : 04.07.2003 .
3. Pat . 110910 RU Russian Federation Alexander Novosel (RU) , Golodyaev Alexander (RU) application: 07/07/2011 ; patent publication : 10.12.2011 .

## WIRELESS POWER TRANSMISSION AT A DISTANCE

**Alexander Popov**

4th year student of the department «Agroengineering»  
Achinsk branch of the Krasnoyarsk State Agrarian University  
Russia, the city of Achinsk

**Alexander Golubev**

Student 3rd year  
IPBiVM FGBOU IN «Krasnoyarsk State Agrarian University»  
Russia, the city of Krasnoyarsk

**Pavel P. Dolgikh**

scientific adviser  
Ph.D., Associate Professor, Department of Energy Systems  
FGBOU IN «Krasnoyarsk State Agrarian University» Russian city Krasnoyarsk

**Abstract:** This paper discusses ways to transmit electricity over a distance. Outlined the main problems and the application of wireless power transmission.

**Keywords:** Tesla transformer, power transmission, an oscillating circuit.

The relevance of this work lies in the fact that the traditional power transmission circuit exhausted its possibilities. When transmitting on the power line, are substantial energy losses. This leads to high financial costs.

In the near future should be seen wireless energy transfer methods, as an alternative to the traditional schemes.

It is known to transmit electrical energy from power plants to consumers is carried out by the electricity grid. Power lines are metallic conductor through which electric current passes. At present, almost universally used alternating current. These schemes (see. Figure 1) are conventional methods for transmitting energy [1].

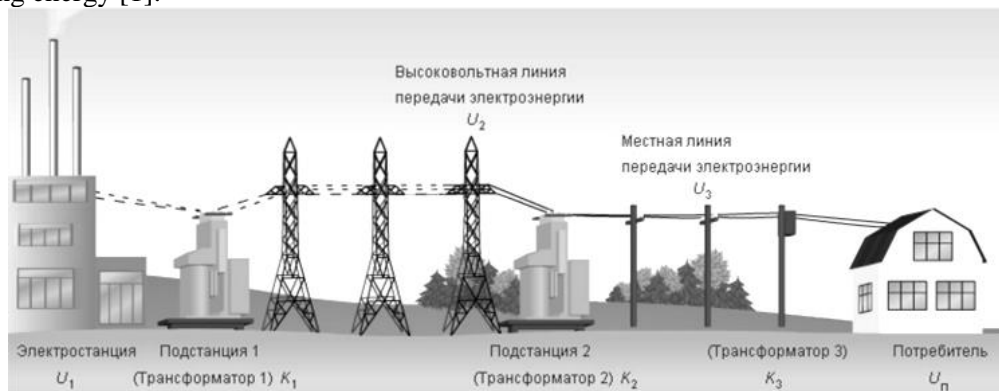


Figure 1 - Diagram of the transmission of electricity at a distance

The main power transmission disadvantages include the energy losses, large metal, significant costs on the carrier elements. Advantages are that the energy flow can be easily controlled.

Unconventional methods include energy transfer wireless energy transfer with the "Tesla coil".

Tesla transformer consists of two coils - primary and secondary, as well arrester condenser toroid. The primary coil usually contains several vit-ing a large diameter wire or a copper pipe, and the secondary windings about 1000, about the smaller diameter water. The primary coil may be flat (horizontal) co-conical or cylindrical (vertical). In contrast to conventional transformers, there is no ferromagnetic core. Thus, the mutual inductance between the two coils is much less than that of a ferrimagnetic core transformers. The primary coil together with a capacitor forms an oscillating circuit, which is included in the non-linear element - gap. A surge in the simplest case of ordinary gas-tion, consists of two massive electrode with adjustable gap. The electrodes must be resistant to high current flows through an electric arc between them and to have a good cooling.

The secondary coil and forms an oscillating circuit, where the role of the capacitor is mainly carried out capacity toroid and private inter-track capacity of the coil itself. The secondary winding is often coated with a varnish or an epoxy resin to prevent electrical breakdown. The terminal may be formed as a disk, spheres or sharpened pin and is designed to produce sparks predictable lengths. Thus, the Tesla transformer consists of two coupled oscillatory circuit that determines its remarkable properties and are etsya its main difference from conventional transformers. For full operation of the transformer, the two oscillating circuit must be tuned to the same frequency reso-nance. Typically, in the process of setting will adapt to the frequency of the primary circuit by changing the secondary condenser capacity and the number of primary turns to obtain the maximum voltage at the output of the transformer [2].

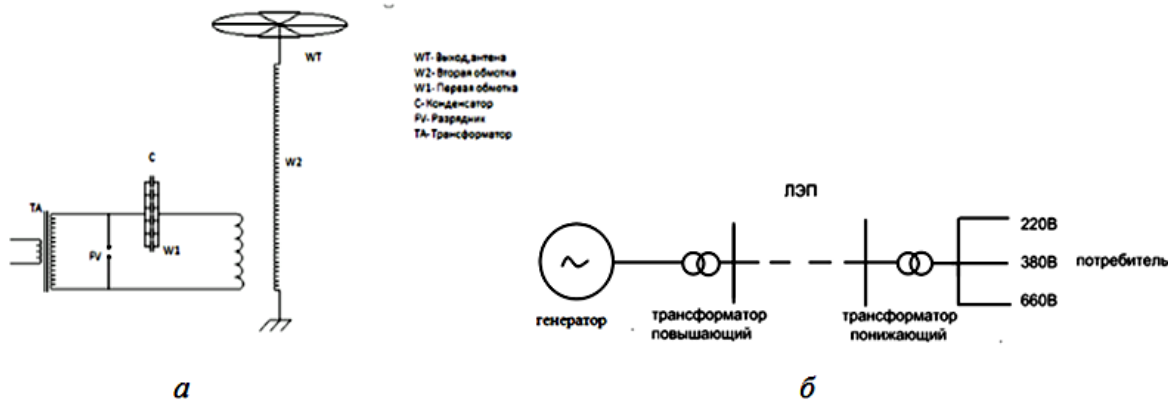


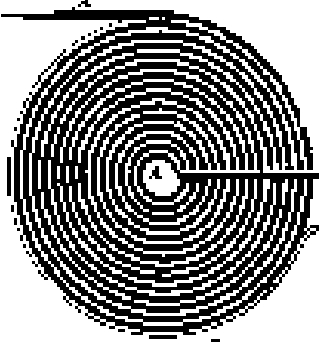
Figure 2 - The electricity transmission schemes: a - Wireless; b - on a pro-waters

The following table provides an overview of the content of patent searches devices for the wireless transmission of electricity at a distance

Table - Elements of schemes of wireless power transmission

Name	Blueprints	Description
Toroid [3]		<p>The toroid has three functions. The first - reduction of the resonant frequency. Second - accumulation of energy, before the formation of a streamer. Third - formirova-of electrostatic field that repels the drive from the secondary winding of the transformer, the torus Tesla.</p>
Secondary winding [4]		<p>The secondary winding of the main part of the Tesla transformer. The primary winding is usually due shall prepare a copper tube for air conditioners. Should on-LADA very small accom-sistance to on it could pass a large current.</p>



Protective ring [5]		<p>The protective ring is designed so that the tape hitting the primary winding is not led from the electronics system. This item is set to Tesla, if the tape is longer than the length of the secondary winding. It is a non-closed coil of copper wire. The protective ring is grounded on common ground with a separate wire.</p>
---------------------	---	---

Currently, there was a completely new power transmission technology of the se-ti in mobile devices. The method consists in using a binding resonant magnetic field receiver and the transmitter. For the name hides a power transmission method without wires with the efficiency of more than 40%. The technology is called «WiTricity». Without trying to understand the intricacies of power transmission technology, can sika show that at distances up to 10 meters in the near future mouth-tron devices wireless transmission of energy will become a reality. It will be possible to watch TV, the use-Call PC and charge mobile devices without having to worry about the presence of cords and ro-zetok.

But we started with transmission problems have tens or hundreds of watts, and more serious capacity. Unfortunately, to date, the best achievement in this direction - a pilot transmission power of 30 kW at a distance up to 2 kilometers (1 mile). This event occurred in the distant 1975 and since then significant progress has not reached, the NLRB. Therefore, in the coming decades, expect a breakthrough in the field of wireless power re-garden should not be expected.

#### **Bibliography:**

1. How does the Tesla transformer on the fingers. Part 1: [electronic resource]. - Access: <http://bsvi.ru/kak-rabotaet-transformator-tesla-na-palcax-chast-1/>. Date Treatment 03.11.2016.
2. Transformer Tesla [electronic resource]. - Access: <https://ru.wikipedia.org>. Date of treatment 03.11.2016.
3. Burdin B.Yu. RF №134848 patent. IPC: H01F19 / 04. Resonant transformer / BJ Burdin. Publ. 10.08.2010. Bull. Number 22.
4. Safarov MA RF Patent № 147038. IPC: H01F19 / 04, H01F27 / 36. Resonant transformer / MA Safarov. Publ. 10/27/2014. Bull. Number 28.
5. Azanov VN Patent of Russian Federation № 2396624. IPC: H01F19 / 04. Resonant transformer / VN Azanov, NB Lykov, AI Demidov. Publ. 10.08.2010. Bull. №22.

# LED FEEDS FOR THE GREENHOUSE TECHNOLOGY

**Mukhammadikbol H. Sanginov**

**Gulmirzo N. Husenov**

graduate students of  
M.S.Osimi Tajik Technical University,  
Tajikistan, city of Dushanbe

**Pavel P. Dolgikh**

scientific adviser

Ph.D., associate professor of «Agroengineering»  
Achinsk branch of the Krasnoyarsk State Agrarian University  
Russia, the city of Achinsk

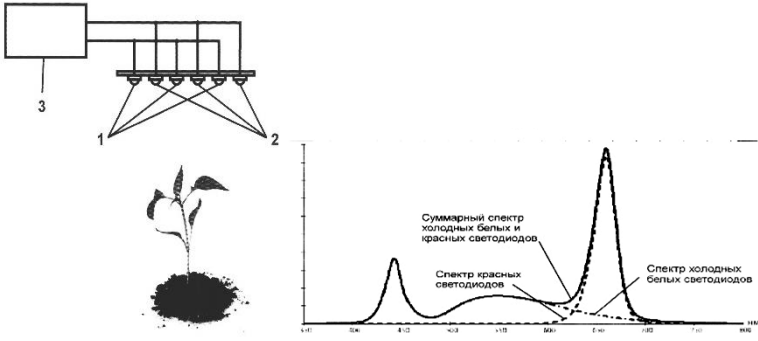
**Abstract:** This paper provides an overview based on patent information looking irradiators designs for greenhouses. It was found that the development of irradiating-tive technology goes in the direction of LED systems, adapted to the physiology of plants.

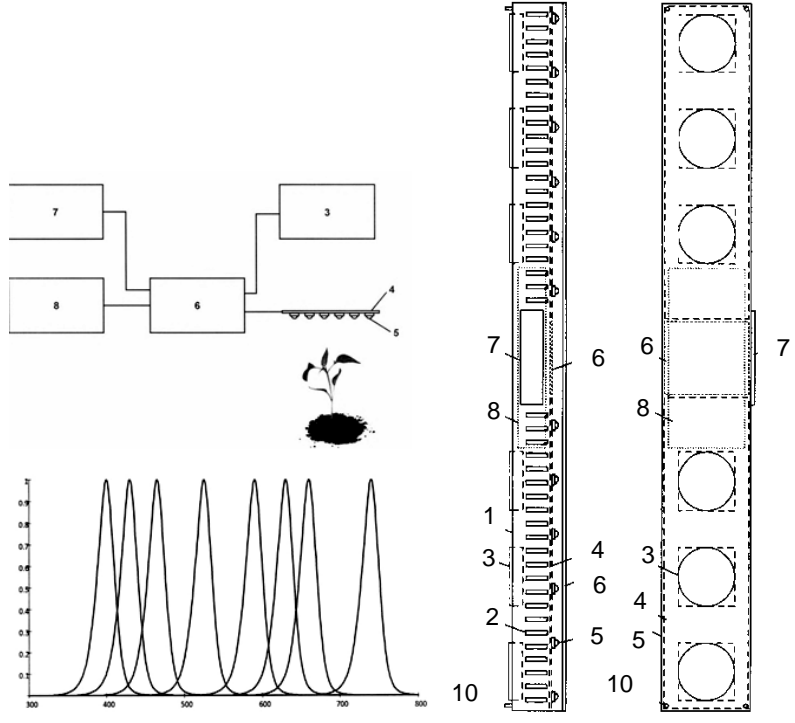
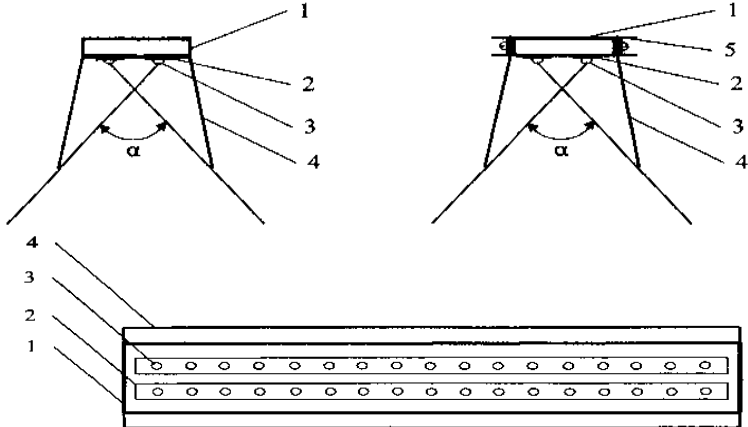
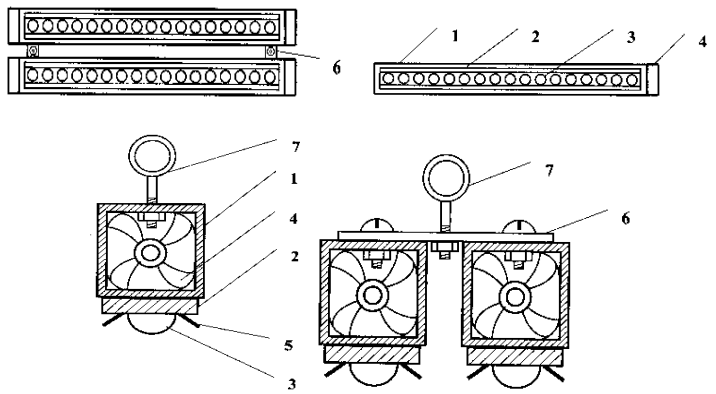
**Keywords:** prospective design of irradiators, greenhouse, led-radiation sources, power efficiency, spectrum management, photosynthesis, devection of plants.

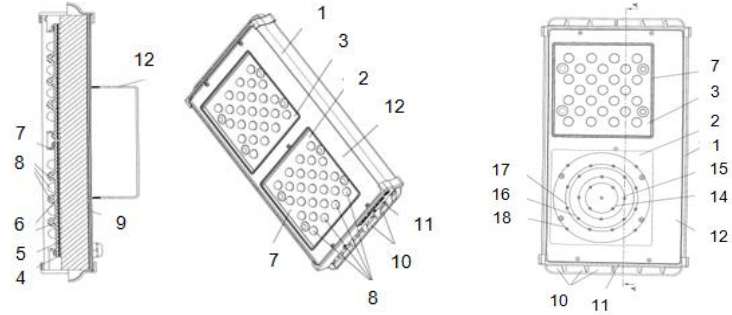
Year-round cultivation of crops in most regions is possible only in conditions of a protected ground under the additional artificial irradiation and heating greenhouses. About 15 - 20% of the consumption of agro-industrial complex of electric power consumption for optical radiation [1]. However, current standards call for a resource-saving energy. [2]. In such a situation, one of the main conditions of agricultural production efficiency and energy savings is to create energy-efficient irradiation facilities. [3]

To identify potential energy savings in the light of technical irradiators analyzed the structures of LED illuminators for greenhouses, presented in the table.

Table - Analysis of promising structures irradiators for greenhouses

Title	Picture or Drawing	Features
LED illuminator for plants [4].	 <p>1 - white LEDs with cool shades; 2 - red LEDs; 3 - power supply and LED control.</p>	Reduced costs supplementary lighting is achieved in that the irradiator contains white and red LEDs in equal proportions with separate regulation.

<p>Laboratory multispectral LED illuminator for plants [5].</p>	 <p>1 - the case; 2 - holes for ventilation; 3 - fans for cooling; 4 fixed on the aluminum base; 5 - light-emitting diodes; 6 - backplane; 7 - the control unit; 8 - power supply; 9 - protective glass; 10 - mounting.</p>	<p>Versatility feed is achieved by the fact that there are eight types of LEDs with different wavelengths, and the ratio of power at peak wavelengths. Thus, it is possible to carry out a regulatory impact Substrate and one irradiators using a control unit.</p>
<p>LED illuminator for crop production [6].</p>	 <p>1 - the case; 2 - the front surface of the housing; 3 - LEDs with different emission spectra; 4 - power supply; 5 - reflector.</p>	<p>Improving the efficiency of feed possible in two ways:  1. The LEDs in the same direction towards the front surface of the housing, the angle of the direct output of the light rays is not more than 90°. 2. The LEDs are configured to regulate the emission angle.</p>
<p>LED illuminator for crop production (options) [7].</p>	 <p>1 - base; 2 - line; 3 - light-emitting diodes; 4 - removing and blowing fans; 5 - reflectors; 6 - ties; 7 - suspension.</p>	<p>Versatility is achieved by two variants in LED emitters are aluminum profiles with LED's located on one of the faces and one end is equipped with a fan and a reflector.</p>

<p>LED illuminator for crop production [8].</p>	 <p>1 - body in the form of a rectangular parallelepiped; 2, 3 - assembly of ribs; 10 - slot; 11 - the end wall; 12 - compartment for the power supply; 13 - the holder; 14 - orange LED; 15 - Blue LED; 16 - white LED; 17 - Red LED; 18 - blue-green LED. modules; 4 - the circuit board; 5 - thermally conductive pad; 6 - LEDs; 7 - transparent panel; 8 - an optical lens; 9 - vertical</p>	<p>The full passage of photosynthesis in plants and increases yields at CNI-zhenii cost of production is achieved in that the irradiator is provided with a printed circuit board with a thermally conductive gasket and mounted thereon LEDs. The LEDs in the form of twenty-five five LEDs color spectrum - blue, orange, white, red and blue-green.</p>
---	--	--

The analysis of lighting irradiation installations for greenhouses showed that promising direction is the creation of installations aimed at improving energy efficiency by adjusting the radiator characteristics, adapted to the physiology of plants.

#### Bibliography:

1. Dolgikh PP Energy irradiation facilities for buildings protected by a behind-the-ground / Dolgikh PP, VR Zavey-Beard, JA Kungs, VD Nikitin, NV Tsuglenok // Textbook. Krasnoyarsk Univ. Krasnoyarsk State Agrarian University, 2006. - 108 p.
2. Federal Law of the Russian Federation of 23.11.2009 № 261-FZ "On energy saving and energy efficiency improvements and on Amendments to Certain Legislative Acts of the Russian Federation" [Electronic resource]. URL: <http://www/rg/ru/2009/1127/energo-dok.html>. (Reference date 03/09/2016).
3. G. Georgiev Evaluation fotosinteznoy radiation efficiency and the development of highly-efficient sources for irradiation of plants / GD Georgiev // Lighting. - 1979. - № 11.
4. RF Patent № 148495. IPC F21S2 / 00. LED illuminator for plant / Lyamtsev AK Valyaev DB, Sorokina IV Publ. 10/12/2014. Bull. Number 34.
5. RF Patent № 148457. IPC F21S2 / 00. Laboratory multispectral LED illuminator for plant / Lyamtsev AK Valyaev DB, Sorokina IV Publ. 10/12/2014. Bull. Number 34.
6. RF Patent № 103704. IPC A01G9 / 26. LED illuminator for crop / Sedov VI Raspopov SS Publ. 27.04.2011. Bull. Number 12.
7. RF Patent № 107449. IPC A01G9 / 20. LED illuminator for crop production (options) / Sedov VI Raspopov SS Publ. 20.08.2011. Bull. Number 23.
8. RF Patent № 136127. IPC F21S13 / 00. LED illuminator for crop / Simonenko NV Galkin AS, Sailors SA, Kharitonov TV Publ. 12/27/2013. Bull. Number 36.

# WELDING MACHINE FOR ELECTRICAL

**Ilya Aleksandrovich Sidoryuk**

3rd year student of direction "Agroengineering"  
profile "Electric and electrotechnology"

Achinsk branch of the Krasnoyarsk State Agrarian University  
Russia, the city of Achinsk

**Fedorova Irina A.**

Supervisor - Master of engineering and technology,  
a senior lecturer in "Agroengineering"

Achinsk branch of the Krasnoyarsk State Agrarian University,  
Russia, the city of Achinsk

**Abstract:** In the article the question of choosing the best welding machine that meets consumer properties of electrical grown.

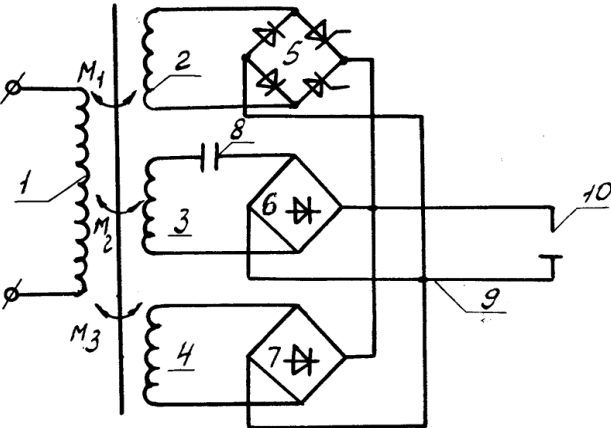
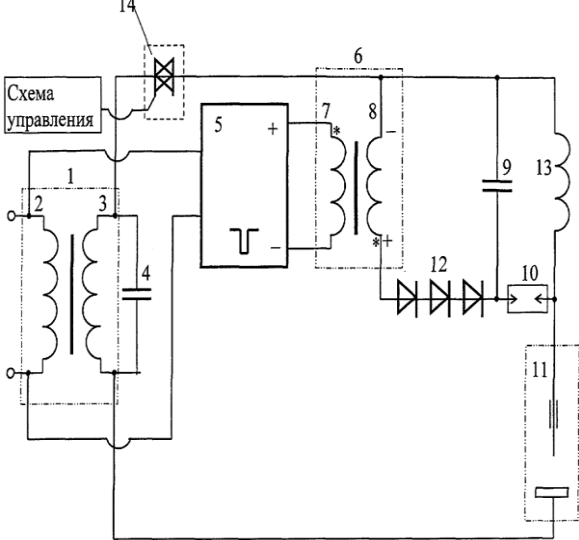
**Keywords:** comparative analysis of the welding machine, the phase

**Introduction:** One of the most essential and commonly used tools in house artisans a welding machine. Electric welding for all time of its existence, has proven itself as a great way to combine a variety of metals. To date, it has found application in manufacturing and construction. Moreover, cheap welding machines are available for home use. Since its inception, the welding machine is constantly improved, undergoing a variety of design changes, as a result of a large and heavy transformer inverter welding machine turned. These changes were made and semi-automatic welding machines, which have also become lighter and more compact. Due to the wide range of models of welding machines, there was a demand in the selection of the optimum welding machine that meets customer requirements.

**Objective:** To compare analizvarochnyh devices and find an alternative option

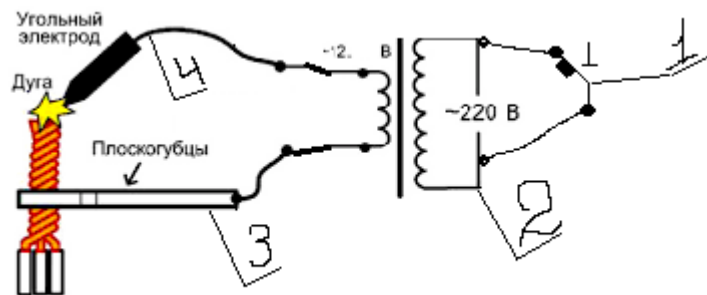
**Actuality:** In the market there are many proposals in this category, so it is important to choose the best option that meets all consumer properties. To compare different variants and identify strengths and weaknesses of existing devices produced patent search and search results tabulated.

№	circuit	description
1	<p style="text-align: center;">1 - variable transformer; 2,3 - a full-wave rectifier; 4 - throttle; 5 - capacitor; 6,7 - thyristors; 8,9 - diodes; 10 - resistor; 11 - Zener; 12 - the output diode.</p>	<p>This welder reduces current drawn from the welding transformer AC during welding, due to the fact that ignition and arc welding is provided by the use of a powerful voltage multiplier circuit.</p>

2	 <p>1 - the primary winding; 2,3,4 - secondary winding; 5,6,7 - bridges; 8 - capacitor; 9 - weight; 10 - electrode.</p>	<p>The feature of this apparatus is that the continuity of the welding current is achieved by summing the currents with different phases. The difference between the current phase is achieved by using phase-shifting elements. By increasing the length of the arc voltage increases the arc. In this arc current is reduced and the current increases discontinuities components ..</p>
3	 <p>1 - transformer; 2 - the primary winding; 3 - the secondary winding; 4 - a protective capacitor; 5 - a pulse generator; 6 - step-up transformer; 7 - the primary winding; 8 - secondary winding; 9 - discharge capacitor; 10 - a spark arrester; 11 - load; 12 - diode; 13 - choke.</p>	<p>The invention enables to increase the magnitude of the discharge gap, improve energy spark discharge without increasing the size and power-up transformer.</p>

**Conclusion:** As a result of the comparative analysis, we can conclude that the presented devices on the market do not meet the consumer because the properties are large size, high price level, the use of inconvenience, high cost of consumable components (electrodes)

**My proposal:** The proposed model is assigned for welding wires of different twists diametra. Vsledstvie comparative analysis me an alternative embodiment of the welding apparatus for electricians was proposed, whose size is much smaller than the options considered in the table. It features the same simplicity and reliability of design, low cost manufacturing.



1-breaker; 2 - transformer; 3 - weight; 4- phase.

**Principle:** The proposed welding machine is in the field of arc welding of metals with non-consumable electrode, namely to devices for arc welding with alternating current. In the transformer 220 through the circuit breaker current is supplied and drops to 12 V. The reduced current is supplied to derzhak and closed through the object on weight. Due to the short circuit melts the metal at the site.

#### **Bibliography:**

- 1 Ofthejournal "WeldingandDiagnostics" №1-2016. Magazine "Welding and Diagnostics" base.Web of Science database, SRO NP "NAKS"
- 2 Pat. 2501209 Russian RU A01K1 / 00, A01G9 / 14 C2. Welding machine IA DC Antufiev, VI Antufevea, MI Alekseev (Russia). - 2011143937/13, 31.10.2011 stated; publ. 12.20.2013, Bull. №5 - 10.
- 3 Pat. 2249497 Russian RU B23K9 / 10 circuit diagrams for arc welding or cutting; protection schemes; remote control. Applying: 2002-01-23 patent publication: 10.01.2004. Shpadi AL, Kazantsev VA  
The patent holder (s): Shpadi Andrey Leonidovich, Kazantsev Vladimir (Russian Federation) for application: 2002-01-23 patent publication: 10.01.2004.
- 4 Pat. 2095212 Russian RU B23K9 / 06 Single-phase welding machine patent holder (s): Bykov Sergey Leonidovich. Submission of application: 07.15.1996 Publication of the patent: 10.11.1997

# DEVELOPMENT TRENDS OF HEAT RECYCLING INSTALLATIONS TO CREATE A MICROCLIMATE IN THE BARN

**Tatiana Frolova**

A student of masters course 1 branch  
Achinsk branch of Krasnoyarsk State Agrarian University  
Russia, Achinsk town

**Bastron Andrey Vladimirovich**

supervisor Ph. d., Associate Professor of Department of agro-engineering  
Russia, Achinsk town  
Achinsk branch of Krasnoyarsk State Agrarian University Russia town

**Abstract:** the article presents the trends of development of teploutilizatsionnyh installations to create a microclimate in the barn, as well as arguments in favour of the introduction of the heat pump installation, describes how her work and made the appropriate conclusion.

**Keywords:** heat pump installation, heating supplies, thermal power equipment for animals.

Since a considerable amount of energy consumed in animal spent on the creation of the optimal parameters of the microclimate, and energy costs are constantly rising, there is a problem to find more cost-effective and energy-efficient way to space heating. One of the most promising directions of energy saving is the use termotransformatornyh plants (or other, heat pumps), which are devoid of drawbacks teploutilizatorov [1].

Consider termotransformatornuyu installation for air conditioning, comprising an evaporator, a condenser and two fans attached to each of them, the first of which on the other hand is connected to the air supply shaft, and the second - to the exhaust duct space, as well as air ducts to the valves and the exhaust shaft [2] shown in Fig. 1.

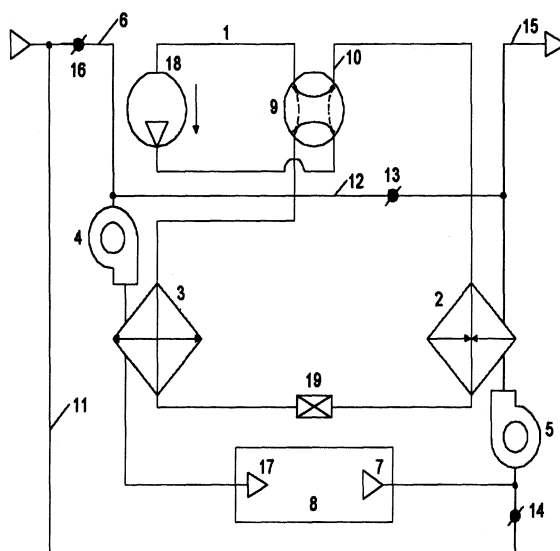


Figure 1 - climate system cowshed

- 1 - gidrotransformatornaya installation; 2 - evaporator; 3 - the condenser;
- 4; 5 - fans; 6 - supply mine; 7 - exhaust duct;
- 8 - room; 9 - elektromagnitny reversing valve;
- 10 - refrigerant piping; eleven; 12 - ducts; 13; 14 - valves;
- 15 - the exhaust shaft; 16 - adjustable valve; 17 - distributing duct; 18 - the compressor; 19 - choke.

This setting is characterized in that it is additionally equipped with a three-way solenoid valve on the refrigerant pipe, and the first air valve connected to the air supply shaft and an exhaust duct space, the second - to push the cuttings through the mine and the mine to the plenum of the point of attachment of the first duct. What makes it possible to drain the fresh air in the spring and autumn periods, as well as to recycle it in the winter.



Consider Energy Saving conditioning system for air conditioning and ventilation systems, which can be used to create a comfortable microclimate conditions in the home, office and industrial buildings [3], including in barns (Fig. 2).

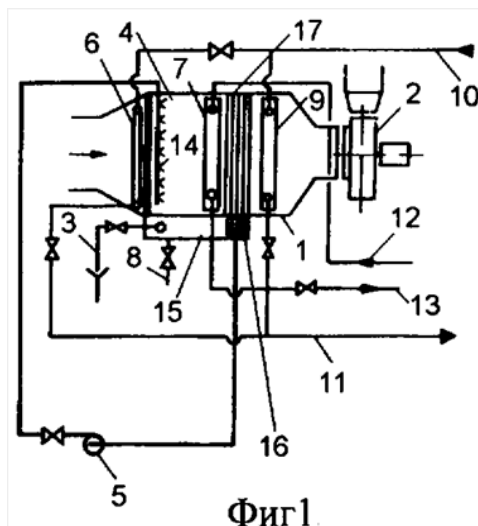


Figure 2 - room ventilation system

- 1 - plenum chamber; 2 - fan; 3; 8 - valves; 4 - irrigation camera;  
 5 - pump; 6 - de-icer; 7; 9 - heat exchanger; 10 - direct heating duct; 11 - reverse heating duct; 12 - shooting line;  
 13 - Water outlet pipe; 14 - collector; 15 - Bath to collect waste water; 16 - Filter; 17- eliminator

The ventilation system characterized in that each injector consists of a housing with an inlet cover, gasket between body and cover, a spring disposed between the cover and the swirler made in the form of an inverted bottom upwards cylindrical cup mounted relative to the housing with an annular gap, and a swirler is satisfied, at least two rows of throttle openings, and each row is satisfied, at least two equally spaced around the annular wall swirler tangential throttle opening and in the lower part of the housing mounted in a conical washer nozzle insert with a calibrated tapered bore coaxial with the cylindrical surface of the swirler, and taper, back taper conical insert washers, thereby reducing the coolant flow for heating the fresh air.

Thus, by the tendencies of development of heat recovery units to create a climate in the barn should include the use of dried and purified recirculated air in the cold season, the use of termotransformatornyh installations osuscheniya fresh air in the spring and autumn seasons, the use of ozone generators and ionizers for cleaning recirculation air from sickness microflora, the air saturated with oxygen, ozone and negative ions, the use of local heating, as well as to optimize the management of thermal power and air supply.

#### References:

1. Petrov A. M. the Application of heat pumps for heating livestock buildings // Bulletin of the Ulyanovsk state agricultural Academy. - July - September 2012 No. 3 (19). P. 122 – 125.
2. Pat. 2131561 Russian Federation, IPC F24F5/00 Thermotransformers installation / Bastron A. V. Tsuglenok N. In., Kulakov N. In., The ITPO I. V., Bastron T. N., Appl. 19.06.1997, publ.10.06.1999.
3. Pat. 2319906 Russian Federation, IPC F24F5/00 energy-saving air-conditioning system / Kochetov, O. S.; Kochetova, M. O. Kochetov, S. S., Kochetov S. S., Appl. 13.10.2006, publ.20.03.2008.

# AUTOMATIC REMOTE LIGHTING

**Tsivanyuk Vladislav Evgenievich**

3rd year student of direction "Agroengineering"

Profile "Electrical equipment and electrical technologies in agriculture" branch Achinsk, Krasnoyarsk  
State Agricultural University  
Achinsk, Russia

**Fedorova Irina Alekseevna**

Master of engineering and technology branch Achinsk  
Krasnoyarsk State Agrarian University senior lecturer Agroengineering Achinsk branch of the  
Krasnoyarsk state agrarian University  
city Achinsk, Russia

**Abstract:** The automatic lighting control system "Lux-AC" allows you to automatically control the brightness of the room, turn on and turn off the light on a predetermined schedule.

**Keywords:** system, lighting, control, operation modes.

According to experts, the share of energy costs in production costs in Russia reaches 30-40%, which is significantly higher than in Western European countries. One of the reasons for this situation are the energy intensity has outdated technology, equipment and instruments. It is obvious that the reduction of these costs can increase business competitiveness.

Auto remote lighting control system performs the following tasks:

- o Automatic on / off light on the fact of the presence / absence of people in the room; timeslots timer off delay illumination of the motion detector can be set by the user during use or comply with the manufacturer's configuration;
- o automatic adjustment of light output lamp, depending on the level of ambient light in the room; the dependence of the lamp luminous flux level of the level of ambient light can be specified by the user during use or comply with the manufacturer's configuration;
- o system configuration settings and remote control of light output as lamps of all premises, as well as each of the lamps separately, using an infrared remote control;
- o Maintaining intellectual power configuration of the system settings in non-volatile memory;
- o stabilization of power supply LED arrays with the required direct voltage drop at each of the LED lamp in the operating range of the supply input voltage 220 networks in 50 Hz.

Table 1 - Composition of the automatic remote control lighting

Number n / n	Part of a system of automatic lighting control	Assignment	Number
1	Intelligent Power Supply (SMPS)	Ensuring stable supply of LED arrays with the required direct voltage drop at each of the lamp LEDs in the operating range of the input voltage supply of 220 V, 50 Hz, and the reception level commands luminous flux luminaire and configuration commands on the	According to the number of lamps in the room

		wire feeder 220 V, 50 Hz	
2	The device convert the infrared signal of the remote control to a radio signal lamps Power System Management (resting)	Conversion of primary user control signals (infrared control channel, the local TCP / IP network) in GPRS radio signals, provides storage of system settings in non-volatile memory	In the room one
3	Unit conversion control radio signal into a signal interface, providing the transmission by wire supply data 220 V, 50 Hz to each room lamps (GPRS)	Conversion control the radio from resting on the interface signal, providing the transmission by wire 220 supply management teams, 50 Hz to each of the appropriate number of spaces	Fixtures phase mains supply 220 V, 50 Hz
4	Infrared remote control (IPDU)	Customer management system automatically control lighting	in the room one

Automatic Lighting Control System "Suite-AC" allows you to automatically control the brightness of the room, turn on and turn off the light on schedule and consists of fluorescent lamps with integral drive up and control gear (ECG-U), which allows you to smoothly change the luminous flux of the lamp, and the device lighting control "Suite-AC", designed for software control modes fixtures.

Features of the system

- switching on and off lighting at a given (programmable) time;
- Provide a smooth increase and decrease in illumination moments on and off the lighting;
- regulate and program the lighting level
- system allows you to control operating modes up to 200 pcs. fixtures.

Advantages of the system

- All the features of the system combined with the high performance energy saving and reliability. Installation of the system can reduce energy consumption by more than 4-fold increase in the maximum luminance 1.5 times.

- Device "Suite-AC" can be programmed for a long period in which it controls the lighting for a variety of programs, automatically switching them.

- The use of automatic control systems for poultry houses lighting simulates "sunrise" and "sunset" that eliminates the negative effects of stress in poultry.

- Optimization of lighting increases egg production and poultry gain and increases the profitability of production. Due to the fact that practically no fluorescent lamps are heated, the reduced costs poultry house ventilation (particularly in summer)

lighting control device "AC-Suite" software is designed for control lights, equipped with electronic controlled start-regulating devices (ECG) that support the following interfaces: 1-10V, DMX DSI, DALI. The apparatus also comprises three auxiliary relay outputs.

The device is multifunctional and can be used to control lighting of residential, industrial, agricultural premises, to automatically turn on and off street lighting. The device "AC-Suite" can be programmed for a long period in which it controls the lighting for different scenarios (programs), automatically switching them. When controlling lighting agricultural facilities it allows you to automatically change the scenario depend on the content of the birds or animals. When controlling street lighting or industrial device can switch the program, depending on the time of year. The device allows you to simulate the natural changes in ambient light with a predetermined period.

If you turn off the power, "Suite-AC" saves all settings and continues to lead the countdown. When power is restored, the device restores all control parameters. To ensure the energy independence of hours used lithium CR2032 battery with 3V mounted inside the enclosure.

The service life of a battery - at least 10 years.

Technical characteristics of the device.

- Power supply: 220 V, 50 - 60 Hz;
- Power consumption 10 W;
- The number of electronic ballasts that can be connected to the outputs: 1-10 200 DMX without repeaters up to 32 DSI / DALI 100
- The maximum current for the relay outputs 1.0 A;
- The number of output channels to 64;
- The number of scenarios and the number of pixels in an arbitrary channels, the total volume of no more than 2000 pixels;
- 4 light sensor.

#### **Bibliography:**

1. "Systems of automated external lighting control," Guriev AV Primer EA, Nizhny Novgorod State Technical University, the information of the company "NPO" Mir "
2. Automated external lighting control systems. The experience of Moscow, 2 (15) 2011 g "Energosovet" magazine
3. Automated lighting control system - is today the most promising energy-saving tool, 2 (15), 2011 "Energosovet" magazine
4. Automated control system of outdoor lighting on the example of the architectural and tunnel lighting, 1 (6) 2010 magazine "Energosovet"

# FUTURE DEVELOPMENTS EXTERIOR LIGHTING SYSTEMS

**Vladislav D. Shaluhin**

4th year student of the Department of Agricultural Engineers  
Achinsk branch of the Krasnoyarsk State Agrarian University  
Russia, the city of Achinsk

**Pavel P. Dolgikh**

scientific adviser

Ph.D., associate professor of «Agroengineering»  
Achinsk branch of the Krasnoyarsk State Agrarian University  
Russia, the city of Achinsk

**Abstract:** The analysis of the promising developments of designs and assembly of lighting installations for exterior lighting devices. Increased efficiency is possible both by improving the designs of fixtures, and by expanding the functionality of supports and installation equipment.

**Keywords:** Outdoor lighting, lamps, lighting, props, efficiency.

Современный населённый пункт потребляет большое количество энергии. В городе средних размеров около 40 % общего расхода энергии приходится на освещение, которое помимо функционального освещения улиц и автострад включает в себя также декоративное освещение архитектурных памятников. Растущие цены на энергию и экологические факторы вынуждают города искать инновационные решения для использования более энергоэффективного уличного освещения [1].

Ниже приведен обзор и анализ перспективных разработок конструкций осветительных установок и устройств монтажа для систем наружного освещения.

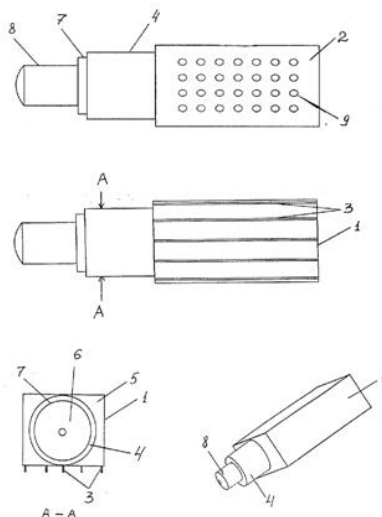


Рисунок 1 – Сменный светодиодный осветительный блок для уличного освещения [2]: 1 – корпус; 2 – крышка; 3 – теплоотвод; 4 – втулка; 5 – торец; 6 – отверстие; 7 – переходник; 8 – цоколь; 9 – отверстие.

Заявляемый осветительный блок позволяет по сравнению с известным устройством:

- снизить материальные затраты на освещение, т.к. заменяется не весь светильник, а только осветительный блок;
- снизить материальные затраты на эксплуатацию, вследствие простоты замены вышедшего из строя унифицированного блока;
- повысить надежность работы блока благодаря его конструктивным особенностям.

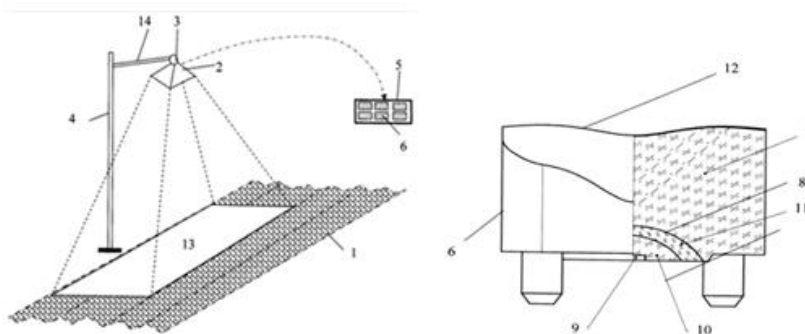


Рисунок 2 – Уличный светодиодный светильник для освещения дорожного полотна [3]: 1 – дорожное полотно; 2 – корпус; 3 – крепление; 4 – дорожная опора; 5 – лицевая поверхность; 6 – светодиодный модуль; 7 – линза; 8 – выемка; 9 – светодиодный кристалл; 10 – линза; 11 – слой геля; 12 – асферическая поверхность; 13 – дублирующее поле; 14 – гусак.

Обеспечивает повышение равномерности распределения светового потока в прямоугольном секторе рассеивания светодиодного излучения и решение поставленной задачи по повышению равномерности освещенности дорожного полотна.

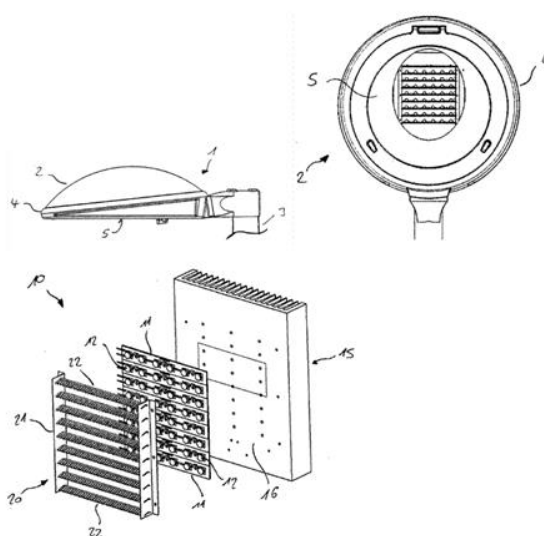


Рисунок 3 – Блок освещения и фонарь для освещения дороги и/или улицы [4]: 1 – фонарь; 2 – прожектор; 3 столб; 4 – корпус; 5 – пластина; 10 – блок освещения; 11 – печатная плата; 12 – источник света; 15 – охлаждающий элемент; 16 – передняя поверхность; 20 – отражатель; 21 – боковая часть; 22 – элемент отражателя.

Блок освещения делает возможным компактное расположение источников света и блока отражателя с одновременным достижением желаемого распределения света. Если блок освещения по данному изобретению используется в фонаре для освещения дороги и/или улицы, нет необходимости в использовании прожекторов со специальными или увеличенными корпусами для того, чтобы поместить блок освещения. Кроме того, данное изобретение делает возможным то, что прожектор фонаря проходит горизонтально или относительно горизонтальной поверхности под малым острым углом в интервале между  $0^\circ$  и  $15^\circ$ .

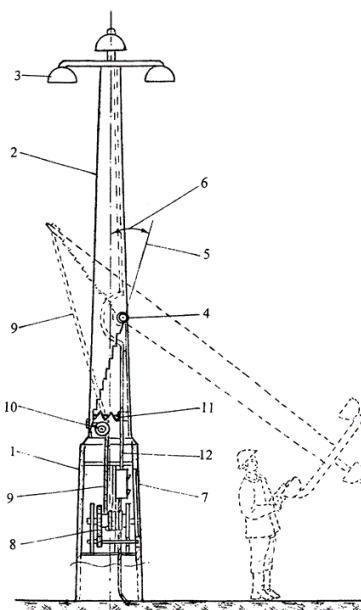


Рисунок 4 – Мачта для уличного освещения [5]: 1 – основание; 2 – верхняя часть; 3 – осветительное устройство; 4 – шарнир; 5 – линия разъёма; 6 – острый угол; 7 – ниша; 8 – механизм (ручная лебёдка); 9 – тяговый канат; 10 – блок; 11 – пружина; 12 – кабель.

Главным достоинством данного изобретения является лёгкий доступ к светильникам опоры, а также отпадает необходимость в использовании подъёмных машин.

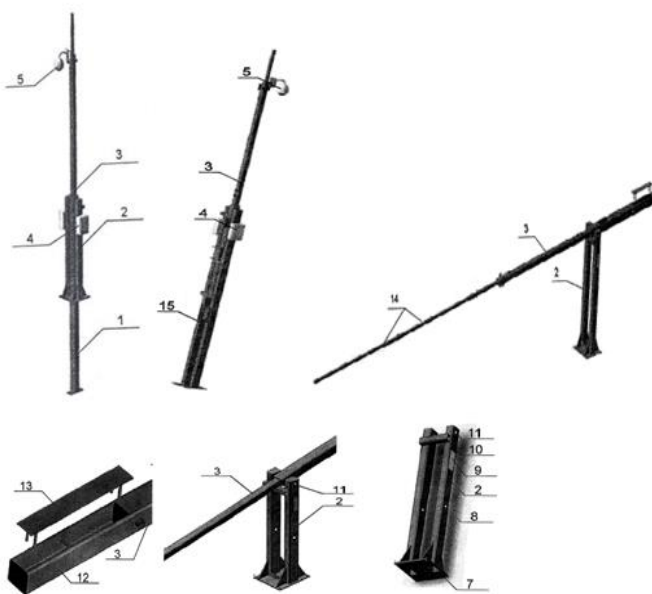


Рисунок 5 – Опора для систем наружного освещения и наблюдения [6]: 1 – основание; 2 – стойка; 3 – подвижная часть; 4, 5 – электрооборудование; 7 – фланец; 8 – отверстие; 10 – горизонтальный ограничитель; 11 – ось; 12 – противовес; 13 – крышка; 14 – удлинитель; 15 – стойка.

Преимуществами при использовании установки являются:

- упрощение конструкции за счет объединения основания и стойки;
- удешевление опоры за счет упрощения ее конструкции;
- сокращение времени монтажа за счет уменьшения операций (отсутствует необходимость соединять основание и стойку).

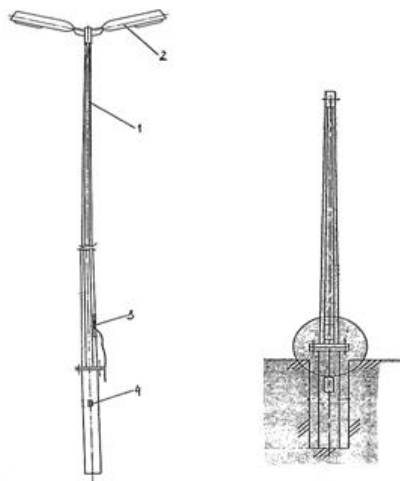


Рисунок 6 – Опора уличного освещения [7]: 1 – стойка; 2 – кронштейн; 3 – провод; 4 – шина заземления.

Увеличенный срок службы опоры, за счёт уменьшения плотности тока утечки, посредством суммарного поперечного сечения проводящей части опоры в направлении заземлителя.

Проведенный анализ перспективных разработок конструкций осветительных установок и устройств монтажа для систем наружного освещения показал, что повышение их эффективности возможно как путем усовершенствования конструкций светильников, так и путем расширения функциональных возможностей опор и монтажных установок.

Modern locality consumes large amounts of energy. In a medium-sized town about 40% of total energy consumption accounted for lighting, which in addition to functional lighting of streets and highways also includes decorative lighting landmarks. Rising energy prices and environmental factors forcing the city to search for innovative solutions for the use of more energy-efficient street lighting [1].

Below is an overview and analysis of the promising developments of designs illuminator-governmental facilities and installation of devices for outdoor lighting systems.

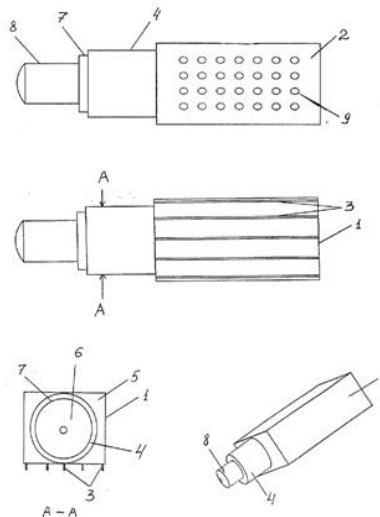


Figure 1 - Replacement LED illumination unit for street lighting [2]: 1 - the case; 2 - a cover; 3 - heat; 4 - the plug; 5 - end; 6 - hole; 7 - adapter; 8 - base; 9 - hole.

The inventive lighting unit enables as compared with the known device:

- Reduce material costs for lighting, as not replaced with the whole lamp, and only the lighting unit;
- Reduce the material costs of the operation, due to easy replacement of faulty unified block;
- Increase unit operating reliability thanks to its design features.



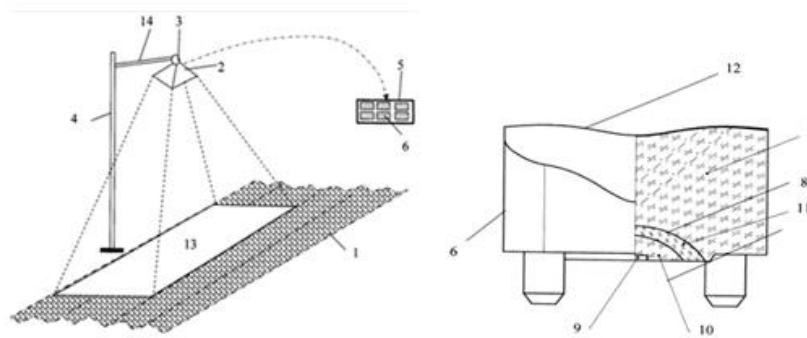


Figure 2 - LED Street Lamp lighting roadway [3]: 1 - roadbed; 2 - the case; 3 - fastening; 4 - pillar road; 5 - in front surface; 6 - LED module; 7 - lens; 8 - recess; 9 - LED chip; 10 - lens; 11 - gel layer; 12 - aspheric surface; 13 - redundant field; 14 - gander.

Provides increase uniformity of the distribution of the light flux in the right-coal sector dispersion of the LED light and the solution of the problem to improve the uniformity of illumination of the roadway.

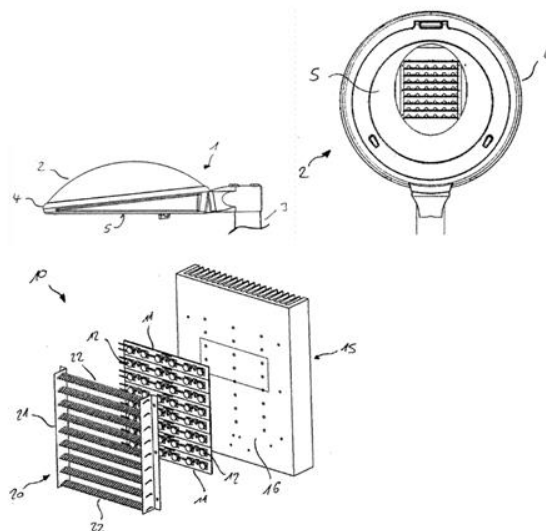


Figure 3 - Block the lighting and lantern to illuminate the road and / or street [4]: 1 - lamp and; 2 - Spotlight; 3 pole; 4 - housing; 5 - plate; 10 - Lighting unit; 11 - ne-chutney board; 12 - light source; 15 - the cooling element; 16 - on top of the front-of; 20 - mirror; 21 - lateral; 22 - element of the reflector.

Lighting unit allows a compact arrangement of light sources and a reflector unit while achieving the desired light distribution. If the lighting unit of the present invention is used in the lamp for lighting the road and / or street, there is no need to use projectors with special housings or enlarged in order to place the lighting unit. Furthermore, the present invention makes it possible for the spotlight lantern extends horizontally relative to the horizontal surface or at a small acute angle between  $0^\circ$  and  $15^\circ$ .

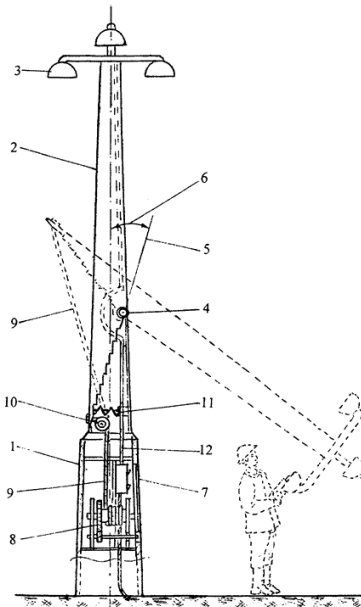


Figure 4 - The mast street lighting [5]: 1 – base; 2 - the top part; 3 - lighting device; 4 – Joint; 5 - connector line; 6 - an acute angle; 7 - a niche; 8 - gear (hand winch); 9 - the traction rope; 10 – unit; 11 – spring; 12 - cable.

The main advantage of this invention is to provide easy access to fixtures Cams support, and no need to use lift trucks.



Figure 5 - Support for external lighting and surveillance systems [6]: 1 - base-set; 2 – rack; 3 - the movable part; 4, 5 – electric; 7 – flange; 8 - by-hole; 10 - horizontal limiter; 11 – axle; 12 - opposed to; 13 – cover; 14 – Extension; 15 - Front.

The advantages of using the apparatus are:

- Simplification of the structure by combining the base and the stand;
- Reduction in price support by simplifying its structure;
- Reduction by reducing installation time operation (no req-sary to connect the base and the rack).

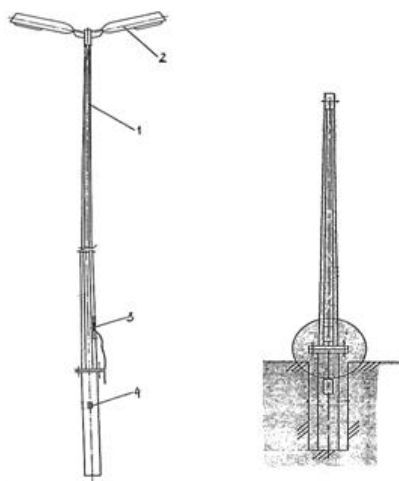


Figure 6 - The support of street lighting [7]: 1 – Front; 2 – Bracket; 3 – wire; 4 - ground bus.

Longer bearing life, by reducing the leakage current density in the total cross-sectional area means the conductive part of the support in the direction of the-earth lead.

The analysis of promising developments lighting designs mouth-Nowok and installation for outdoor lighting devices showed that the increase of their efficiency is possible both by improving the designs of fixtures, and by expanding the functionality of supports and installation equipment.

#### **Bibliography:**

1. Dolgikh PP On energy saving lighting in urban / PP Dolgikh PP, VR Zavey-Boroda, MV Samoilov // Energy Efficiency city life support systems: Proceedings of the IX All-Russian scientific-practical conference under the general editorship. MS Pronin. Krasnoyarsk: MVTS "Siberia", 2008. S. 53-58
2. RF Patent number 87597 MKI7 H05B37 / 00. Replacement LED illumination unit for street lighting / AS Korostelev. Publ. 10.10.2009. Bull. №28.
3. RF Patent number 124,366 MKI7 F21V5 / 04. LED Street Light to illuminate-of roadway / AP Anikin, DP Anikin, VG Callus, VV Kuznetsov, DA Kostjukov, PP Anikin. Publ. 20.01.2013. Bull. №2.
4. French patent number 2,513,865 MKI7 F21S8 / 08. Lighting unit and a lantern to illuminate the road and / or street / Rami Jean-Paul, Rocard Florian. Publ. 04/20/2014. Bull. №11.
5. RF Patent number 2350723 MKI7 E04H12 / 00. Mast for street lighting / DA Irkha, PD Irkha, GA Sultanov. Publ. 27.03.2009. Bull. №9.
6. RF Patent number 111613 MKI7 F21V21 / 00. Support for external lighting systems and on-compliance / KA Grigoriev, SA Gruzdev, IA Kozhevnikov, AA Pronin. Publ. 10.07.2011. Bull. №19.
7. RF Patent number 25198 MKI7 E04H12 / 08, E04C3 / 32. Reliance street lighting / YI Soluyanov, ST Vasyura, GS Naurskiy, Y. Kutuev. Publ. 20.09.2002. Bull. №26.

## *Section №5*

# Modern problems of formation and development of agricultural sciences

### PROBLEMS OF IMPROVEMENT OF QUALITY OF LIFE AND THEIR DECISION IN DOCUMENTS OF TERRITORIAL PLANNING

**Arnautova Ekaterina Sergeyevna**

The undergraduate of 1 course in the Law direction  
Achinsk branch of the state agricultural university  
Russia, city of Achinsk

**Kozar Elena**

Research supervisor

Candidate of Biology, associate professor of department of the Landed right and organization of the use of land

Achinsk branch of the Krasnoyarsk State Agrarian University  
Russia, the city of Achinsk

**Abstract:** Article is devoted to problems of quality of life of the population, creation and preservation of favorable environment. The indicators influencing quality of life, and also the offer on the solution of problems when developing documents of territorial planning are considered.

**Keywords:** Quality of life, population, documents of territorial planning.

Now, in the conditions of active development and growth of the large cities, the greatest attention is paid to such problems as improvement of quality of life of the population, creation of favorable environment and her preservation for future generations. The solution of the above-stated problems can be reached by means of territorial planning which is the effective instrument of management of development of the territory of territorial subjects of the Russian Federation, cities and municipalities.

Activities for creation of documents of territorial planning are based on definition of such strategy of development of the territory which provides creation of favorable environment and provide an optimum ratio of economic, social ecological interests. Therefore, the complex of the events held within development of documents of territorial planning is directed by the most part to the solution of problems of improvement of quality of life. The main objective of this work consists in identification of criteria of quality of life and definition of a method of development of the relevant decisions in documents of territorial planning.

For definition of criteria of quality of life it is necessary to address the analysis of conceptual terms framework and its transformation in temporary aspect.

Initially quality of life was meant as only material well-being of the population in a separation from cultural and cultural values, quality of environment, health system, etc. Quality of life was represented as the social and economic phenomenon reflecting a standard of living of the population and depending on welfare and the level of social security. In the years of industrialization in connection with large-scale development of industrial production, increase in population, an urbanization such problems as protection of the population against negative influence of environment, and also improvement of a state of health of the population have appeared. Further the concept has again undergone transformation in connection with a humanization of economic science. More attention began to be paid to the person, his health, individual experiences, safety, etc. As a result the social and psychological component – education, the civil rights, moral health of the population, a possibility of self-sufficiency and self-realization, etc. [1 also was added to earlier existing elements of quality of life with. 247-251].

Evolution of the category "quality of life" has led to generalization and integration of the elements which were gradually a part of this concept. As a result today quality of life represents the integrated social and economic category which includes material well-being, consumption level, health care, education, a

state of environment, a moral and psychological state of the person, an opportunity for self-realization, etc. Quality of life includes sections of knowledge from a set of scientific spheres – geography, medicine, psychology, sociology, economy, ethnology.

Thus, quality of life is difficult system with the elements making her. At the same time this system should be estimated as in total, and on separate elements at their interrelations and interconditionality. However it isn't necessary to consider separate elements of quality of life independently as quality of life is difficult many-sided category which represents difficult structure of interrelations of her components. It is impossible to allow autonomous development of each of subsystems pursuing only the interests. It can lead to violation of functioning of system therefore it is necessary to expect the boomerang effect exerting negative impact on development of favorable environment. [2].

For the characteristic of quality of life in the concrete territory and its subsequent optimization for a start it is necessary to allocate indicators which characterize category generally, covering only the most important and essential aspects of activity of the person. Then for more detailed analysis it is necessary to characterize quality of life on separate components which, in turn, are described by a number of quantitative indices.

Such approach is most rational for territorial planning as it contains concrete numerical indicators on which it is possible to judge a state and forecast development of separate components of quality of life. At an assessment of components by means of numerical indicators it is necessary to compare them to certain reference values. The standards developed by public authorities can act as such reference values. By comparison of reference values with existing, and also with expected values on demographic, social, economic indicators it is possible to calculate concrete values for development of documents of territorial planning (for example, the necessary number of preschool educational institutions and their design capacity in 10-15 years taking into account demographic changes).

Indicators of quality of life can be divided into three large groups.

The first group of indicators characterizes demographic and natural systems which are included in turn by such subsystems as a demographic situation, a state of health of the population, impurity of environment. This group is characterized by such indicators as the level of birth rate, mortality, life expectancy, a natural and migratory increase, emissions of harmful substances, determination of the maximum concentration limit admissible level of the polluting substances, etc.

The second group characterizes the social and economic system including the level of the income of the population, work condition, a level of development of health sector and education, transport, social and engineering infrastructure, security with housing and living conditions, an employment rate, etc. The group is characterized by such indicators as number of educational and medical institutions, unemployment rate, the monetary income of the population, the size of pensions and grants, a share of a hazardous dwelling, a condition of a street road network, security with material benefits and services, etc.

The third group estimates the spiritual sphere of life of society and social stability. This group includes such subsystems as health and safety, legal and social security, the organization of vacation spots and leisure of the population, a level of development of mass media, esthetic perception of a surrounding landscape. To the indicators characterizing subsystems the number of green plantings, parks, squares, cultural institutions and sport, libraries, number of crimes, accidents, etc. are.

It should be noted that for territorial units of different taxonomical level set of criteria of quality of life characterizes the separate phenomenon in various degree. It is caused by the fact that certain climatic, demographic features, unevenness of social and economic development are inherent in the concrete territory. For this reason development of standards in the form of a set of indicators about which it was told earlier has to be carried out at the federal level for establishment of the general legal framework, and also at the regional and local level as the concrete territory a certain set of the conditions, features and problems not peculiar to other territory can be characteristic. Unevenness of development of natural and economic processes causes need of carrying out policy at the regional level. [3].

For the solution of problems of improvement of quality of life in documents of territorial planning the following sequence of tasks directed to their elimination can be offered:

- consideration of quality of life in the form of a set of the indicators characterizing him on separate components;
- development of methods of an assessment of the integrated indicator characterizing qualities of life on the basis of indicators on separate components;
- the accounting of the factors providing quality of life and capable to influence his change in the future (for settlement term);
- more detailed approach to the analysis, planning and forecasting of social and economic processes in the region;

- elaboration of system approach to the analysis of elements of quality of life, to statement of the purposes and problems of development, and also methods of their realization;
- development of documents of territorial planning, taking into account acting in the territory of the state or regional target programs.

The development of strategy of development of the territory aimed at improvement of quality of life of the population taking into account specific features of the territory has to become result of carrying out the above-stated actions.

Thus, when developing documents of territorial planning concerning such difficult category as quality of life is necessary carrying out the system analysis of all components of subsystems, use of the methods considering all range of social and economic processes in the region and factors capable to influence change of quality of life in the future.

#### **Bibliography:**

1. Chistobayev A.I., Semenova Z.A. Evolution of scientific ideas of quality of life of the population//Society. Wednesday. Development. SPb: Asterion, 2013. No. 3. Page 247-251.
2. Level and quality of life: concepts, indicators, current state of Russia//Russian economic magazine. - 2014. - No. 14.
3. [http://human\\_ecology.academic.ru/1668/](http://human_ecology.academic.ru/1668/) (date of the address: 3/1/2016)

# DEFICIENCY OF FRESH WATER AS ONE OF GLOBAL PROBLEMS OF MANKIND

**Arnautova Ekaterina Sergeevna**

The undergraduate of 1 course in the Law direction  
Achinsk branch of the state agricultural university  
Russia, city of Achinsk

**Sibirina T. F.**

Research supervisor

Candidate of Biology, associate professor of department of the Landed right and organization of the use of land

Achinsk branch of the Krasnoyarsk State Agrarian University  
Russia, the city of Achinsk

**Abstract:** In the present article the global environmental problem as exhaustion of fresh water is considered. The factors promoting deficiency of fresh water. Various approaches and ways of a solution in the countries of the world. Lake Baikal as natural "tank" of fresh water in Russia.

**Keywords:** fresh water, deficiency of fresh water, climatic features

Today the mankind sharply began to feel all past and present mistakes connected with maloperation with the nature. It is connected with the fact that on our century one of global environmental problems — sharp insufficiency of fresh water has dropped out. Fresh water — water which in the minimum quantity contains salt. From all mass of the hydrosphere, and it is about 98%, only 2% fall to the share fresh. From these 2%, for the person well approximately, 0,66%. Other amount of fresh water falls to the share of glaciers of the Arctic and Antarctica, to snow tops of mountains [1, page 4].

Fresh water – a life source for the person. By means of fresh water farmlands are irrigated. Farmlands, in turn are the power supply for the person. Without water of people can live only 3 — 4 days (depends on an organism). The person is arranged in such a way that it for 80 — 85% consists of water. And therefore, water for the person — one of life sources. The main source of fresh water is the World Ocean. Natural desalting of water happens in the course of a water cycle on the earth, water from the ocean evaporates under the influence of temperature and evaporates, rising up, and salt remains in the ocean as salt is heavier than steam. After such circulation, water arrives on the earth of already desalinated.

Exhaustion of fresh water, I became a global environmental problem as she has mentioned the whole world. Also she began to be felt stronger and stronger with a population explosion. Since population grows in a geometrical progression. And, respectively, the nature doesn't cope with such number of people.

Deficiency of fresh water is one of the main problems which the mankind in the XXI century had faced [2, page 45].

Deficiency of fresh water is promoted by both natural, and anthropogenous factors. Treats natural — global climate change that leads to desertification and decrease in water security [3]. The major anthropogenous factor is growth of population of Earth [2]. A burning issue is growth of need of people, and respectively, demand for water since with growth of industrial production also impact on all natural resources including water increases increases.

Now the water pollution problem is very actual. Industrial emissions, sewage, washout of fertilizers and pesticides from fields, all this significantly reduces reserves of fresh water.

The lack of fresh water leads to various diseases, hunger and armed conflicts. Therefore to avoid such deplorable consequences, the authorities of all countries have to formulate and realize concrete plans for realization of political, economic and technological measures for providing the population with water in the present and future [3].

Concerning exhaustion of fresh water it is possible to carry to scientific versions:

1. irrigation of the farmland;
2. use of water at the different enterprises (ferrous and nonferrous metallurgy, pulp and paper mill, the NPP, combined heat and power plant, etc.);
3. household expenses of water.

The lack of fresh water is already felt worldwide. However, there are such places on Earth where such environmental problem as deficiency of fresh water, is not new. It is connected with climatic features,

i.e. with the smallest loss of rainfall. In category of droughty regions carry where the annual sum of rainfall less than 400 mm.

Deficiency of fresh water is the main problem for the countries of Africa (Egypt, Saudi Arabia, Yemen, etc.). In these countries the problem of shortage of fresh water has natural character. As, these areas belong to very droughty areas, i.e. the annual sum of rainfall doesn't exceed 100 mm. In Russia to the area having deficiency of fresh water carry Kalmykia. And to neighboring countries — Kazakhstan, Uzbekistan, Turkmenistan.

The mankind tries to deal with this problem in the different ways. In the different countries of the world there are the approaches and ways of a solution caused first of all by the water and resource capacity of each country. First, it is export of water to the needing countries, i.e. between certain countries the arrangement consists. The contract for a certain term, for the purpose of delivery to this country of fresh water for a certain payment is formed. Secondly, sea water or salty water from underground sources is freshened. Thirdly, economy of a consumption of water. Fourthly, creation of artificial reservoirs [1]. In the long term many countries think of towing of glaciers to the territories with further melting of ice for receiving fresh water.

We will consider a problem on exhaustion of fresh water on the example of our country.

Our country is the most provided water resources, and main "tank" of fresh water is Lake Baikal experiencing huge anthropogenous pressure. Lake Baikal — the deepest lake on the planet. Its depth — 1642 m. Extent of this lake — 620 km. Baikal is the lake of a tectonic origin. Lake Baikal in the center of Asia, on border of the Irkutsk region and the Republic of Buryatia is located. The main property of water in Lake Baikal is that in it few dissolved and weighed mineral substances. Also very small amount of organic impurity are a lot of oxygen.

Baikal — a unique, richest reserve of fresh water. In him about 20% of all mass of fresh water are concentrated on the planet. In a word, Property of the country and world in general. But, unfortunately, and this unique natural object is subject to danger. Unreasonable use of the person of natural riches leads to such deplorable consequences. For example, emissions in the atmosphere, sewage, placement on the bank of the lake of the different industrial enterprises as the Baikal Pulp and Paper Mill (BPPM), the Selenginsky pulp and board mill, the route of federal importance, all this negatively affects an ecosystem of Lake Baikal. And this lake is unique not only the fact that in it such amount of fresh water, but also that the lake is concentrated by saturated unique flora and fauna.

The government takes measures for protection of water resources today, but so far the mankind doesn't realize all gravity of this problem, exhaustion and pollution of fresh waters will proceed, remaining a serious global problem.

Duty of all mankind is careful attitude to environment. A problem of present generation is development and deployment of new ways of managing in relation to surrounding environment. It is in that not only there was no negative influence on the nature, but also that the person helped it. It would be desirable that each person has been brought correctly ecologically up. If each country begins to minimize negative influence on surrounding environment, then the risk on environmental disaster of the world will be reduced.

#### **Bibliography:**

1. Report of the UN on a condition of water resources of the world. Review (Program of an assessment of water resources of the world) of M., 2013.
2. Danilov-Danilyan V. I. Global problem of deficiency of fresh water.//A century of globalization — No. 1 — 2012. — Page 45 — 56.
3. Internet source: [An electronic resource] — the access Mode. — URL: <http://spkurdyumov.narod.ru/voda.pdf> (date of the address 2/15/2016)



## "ACID RAINS" AS ONE OF GLOBAL ENVIRONMENTAL PROBLEMS. THE CONSEQUENCES AND SOME SOLUTIONS

**Arnautova Ekaterina Sergeevna**

The undergraduate of 1 course in the Law direction  
Achinsk branch of the state agricultural university  
Russia, city of Achinsk

**Sibirina T. F.**

Research supervisor

Candidate of Biology, associate professor of department of the Landed right and organization of the use of land

Achinsk branch of the Krasnoyarsk State Agrarian University  
Russia, the city of Achinsk

**Abstract:** This article describes the main causes of loss of acid precipitation, as well as some implications and solutions to this problem.

**Keywords:** Acid rain, acid rain, ecological crisis, environmental problems.

Deterioration in a condition of surrounding environment is, unfortunately, usual process now. Process which happens in many respects because of negligent, i.e. maloperation of the person to environment. The person can use natural values only for satisfaction of the human wants, without thinking of those negative consequences which he leaves after the intervention in the nature.

Our planet experiences to some extent "ecological crisis" now - it is such stage of interaction of human society with environment at which contradictions between economic activity of the person and ecology in general become aggravated.

In character, ecological crisis can be, both natural, and social. In the first case, the natural part of ecological crisis bears in itself information on the forthcoming destruction of surrounding environment, on her degradation. And the second part, i.e. social, is that the state and society in general, aren't capable to stop degradation of environment. Also aren't capable to revitalize the nature in general.

Proceeding from above stated, it is possible to tell safely that presently "environmental problems" have accurately expressed character. That is, it is already possible to meet such ecoproblems as increase of global sea level; exhaustion of reserves of fresh water; desertification; destruction of the ozone screen, etc.

One of such environmental problems which takes not the last place in an ecological rating of problems are "acid rainfall" or "acid rains".

Acid rains are a result of acts of man in industrialization. Irrational use of resources of the planet, a large number combustion of fuel, ecologically unacceptable technologies – all this signs of development of the industry which are followed by chemical air pollution, waters and soils. The term "acid rain" has been for the first time entered in 1872 by the English scientist Robert Smith in the book "Air and a rain: beginning of chemical climatology". Dealing with pollution issues Manchester, R. Smith has proved that the smog contains substances which cause changes in a chemical composition of a rain. Investigating this problem, he has also proved that changes in structure of rainfall, it is possible to notice not only near a source of their allocation, but also at a great distance from him. That is, by cross-border transfer, the "infected" rainfall drops out also in other territories where don't exist source of pollution per se of natural components at all (air, water, the soil). He has also found out that acid rains lead to negative consequences as: decolouration of fabrics, corrosion of metal surfaces, destruction of construction materials and death of vegetation.

Despite R. Smith's conclusions about acid rains, scientists of that time have completely rejected the version about their existence on Earth. But, unfortunately, today, nobody doubts that acid rains exist, and that they are a cause of death of the woods, agricultural harvests, vegetation. Also acid rains are a cause of destruction of monuments of culture, buildings, pipelines. Level of fertility of the soil goes down, also acid rains lead to infiltration of toxic metals in water-bearing layers of earth.

The main responsible for this negative phenomenon has recognized oxide of sulfur and nitrogen oxide. The area of negative impact of sour rainfall is rather wide. Many ecosystems have already seriously suffered from them, but the greatest harm is done to plants. Therefore, the mankind can face mass death of fitotsenoz.

Exists as well negative impact of an acid rain on reservoirs: lakes, ponds, rivers. An acid rain, increasing acidity in these reservoirs to a maximum point, promotes to mass death of flora and fauna. It is accepted to allocate three stages of impact of acid rainfall for reservoirs [3]:

- At increase of acidity of water (pH <7), the phytomass of a reservoir begins to perish, depriving thereby of food for other inhabitants of this ecosystem. The amount of oxygen in water decreases – promotes development of blue-green seaweed. Respectively, first stage characterizes bogging of a reservoir, i.e. there is a process of an eutrofication.

- The second stage is characterized by increase of acidity of water to pH-5,5. At such acidity ground bacteria which are "hospital attendants" of this reservoir begin to perish – they decompose organic garbage. Without participation of these bacteria, fossils collect at the bottom. Behind their death, also the death of plankton – an animal of the tiny sizes who eats the substances which are formed at decomposition by bacteria of organic substances follows. Plankton makes a basis of a food chain of a reservoir.

- Acidity is reached to pH-4,5 that promotes death practically of all living inhabitants of this reservoir.

At the first two stages it is possible to stop process of degradation of a reservoir if to stop impact of acid rains on him.

Prompt loss of acid rainfall on our planet, says that requirements of mankind increase many times. Proceeding from it, all "the industry of the world" tries to make a necessary product in large numbers, without thinking of negative consequences.

If to carry out the analysis on the Environmental Problems of the World card, for identification of depressive areas on a problem "acid rainfall", then it is possible to count not one ten such centers. The country – the leader in this environmental problem is the USA. Today this country with the population less than 6% of world consumes a half of energy resources of the planet and makes nearly a half of garbage and 63% of world emissions of greenhouse gases [1]. In the territory of the country there are numerous power plants: nuclear, thermal, hydroelectric power stations. Consequences of loss of acid rainfall it is observed also in the European countries – Germany, the Czech Republic, Slovakia, France, Italy etc. Unfortunately, and our country – Russia not an exception. The territory of the Russian Federation, in particular, the western part of the country, is most strongly subject to such problem as loss of acid rains.

In the conclusion there is a wish to tell that last century, expressions "acid rains" or "acid rainfall" were known only to persons who directly specialized in this field of science – to ecologists. For the last decades these terms became daily, causing concern in many countries of the world. The problem of acid rainfall has already developed into an environmental problem of global scale. For elimination or reduction of emissions of the polluting substances in the atmosphere which also cause further a problem of "acid rainfall" there is a number of ways:

- input of new ecologically safe technologies;
- installation of filters at the enterprises;
- use slabozagryaznyayushchikh of power sources;
- rigid control of all states having in the territory of the polluting atmosphere sources.

Any state won't agree to accept such ways of the solution of this problem. Any country won't want to reduce energy consumption scales. Input of new technologies and installation of the filtering equipment – will affect economic part of the state. But, nevertheless, if not to come to such methods of the solution of this problem, then so it also will remain a problem of global scale.

### **Bibliography:**

1. Golubev Gennady Nikolaevich. About 62. Geocology: The textbook for students of higher education institutions / G. N. Golubev. – 2 e prod. ispr. and additional – M.: Aspect Press, 2011. – 288 with.
2. Gorelov A.A. Ecology: Manual. – M.: Center, 2010. – 240 pages.
3. <http://yourlib.net/content/view/12298/145/>. (date of the address 2/8/2016)

# FOREST ECOSYSTEMS

**Danilyuk Karina**

2nd year students of the Department  
Achinsk Branch of State Agrarian University  
Russia, the city of Achinsk

**Arnautova Ekaterina Sergeyevna**

Research supervisor

St.prepodavatel' of department of the Landed right and organization of the use of land  
Achinsk branch of the Krasnoyarsk State Agrarian University  
Russia, the city of Achinsk

**Abstract:** The article reveals the essence, methods of violations of forest ecosystems and their impact on the environment. The same attention is paid to the methods of protection and proper use of forest resources.

**Keywords:** Forest ecosystem Violations in forest ecosystems, methods of conservation and protection of forest resources.

Forest ecosystems occupy almost 40% of the planet, hence forest ecosystems are very important for the life of the biosphere. Their nature and utility to the environment is that they are:

- Air enriched with oxygen and carbon dioxide level is maintained,
- Play an important role in the water cycle,
- Forest soils filtered water and purified them from many harmful impurities,
- Forest ecosystems moisture evaporated into the atmosphere and affect the climate by raising the humidity.

Therefore it is necessary to study, protect and make rational use of the forest, but there are so-called violations. The main of them and to methods of preventing and correcting them are:

- Exceeding the allowable cut. Wood is harvested mainly in the areas close to transport hubs. In these areas, the annual allowable cut of rocks are often exceeded. As a result, cutting overgrown with birch and other species of little value.

- Forest fires. Forest fires destroy tens of thousands of hectares of forest annually. Most fires start because of careless handling with fire, man. For the prevention of fires is prohibited cultivation in the dry season in the forest fires.

- Reduction of the water protection role of forests. At full or partial reduction of the forests of the first and second groups of springs and wells dry up, the water content of the rivers and falls violated the uniformity of flow. Currently, works are carried out to restore the forest along the river. In some countries (including in the Russian) increases the proportion of the second group of forests.

- Effects on Forest dust and poisonous gases. Negatively affect emissions of toxic gases and dust by industry and transport. To reduce the number of industrial emissions building treatment plants and introducing new low-waste technologies.

- Grazing. When grazing die young trees that cattle devour and trample down, deteriorating conditions for the growth of mature trees, the birds disappear and massively multiply pests. The forests on the slopes of the mountain grazing causes soil erosion (erosion). To correct the situation, grazing in the forest stop.

- Impact of water reservoirs. Forests can die in the construction of reservoirs and major roads, underground drainage violate groundwater.

- Depletion of secondary forest resources. When excessive harvesting of forest: mushrooms, berries, medicinal plants and non-normalized shooting of game forest resources are being depleted. The billet plant raw materials and hunting in the forests organize so as not to undermine the ability of populations to the renewal, ie not to exceed the maximum allowable share of crop seizures.

- The depletion of the species composition of forests by using chemicals. In modern forestry use chemical means to combat pests. In the year of using pesticides suppress pests, but with them destroy many "enemies of our enemies" - predatory insects (ants, wasps) and birds. The following year, a massive pest populations can recover quickly again, and controlling their density less numerous species disappear altogether.

- Cluttering forests. Great damage to forest ecosystems causes cluttering forest wood residues during harvesting or household waste.

Thus, it can be concluded that the human factor plays an important role not enough in these methods breach. And some of them are the result of safety and protection of forest resources.

With regard to the protection and conservation of forest resources, the forestry workers manufactured various kinds of cleaning: Sanitary cleaning, cutting maintenance of forests, cutting connected with the reconstruction of derivatives stands, reforestation cuttings in the tree states and other large effort to combat fires, but this problem can not be completely prevented.

Thus, summing up, we can conclude that to improve the state of forests and forest lands requires the use of such technologies, methods, techniques that would preserve the livelihoods and forest productivity. These measures should be aimed at improving soil fertility (preventing water erosion, salinization and other processes worsening condition of soil), effective care of forest cultures, protection from pests and diseases.

#### **Bibliography:**

1. OS Shimova, NK Sokolovsky "Fundamentals of Ecology and Environmental Economics" Minsk Belarusian State Economic University in 2001.
2. Overall, social, applied ecology "textbook NA Voronkov, str.242, 247-255, M.: Rendezvous AM AGAR 1999
3. Ecology of Russia "textbook BM Mirkin, LG Naumova, pp. 90-94, M.: JSC IBC, Eunice, 1995
4. <http://ib.komisc.ru/add/old/t/ru/ir/vt/99-18/02.html> (reference date 03/09/2016)
5. <http://www.forest.ru/rus/publications/list1> (reference date 03/09/2016)

# CHRONIC TOXICITY HERBICIDES IN SUGAR BEET PLANTS AND SOIL

**Zoran Zivkovic**

3 course Agricultural Institute  
Pristina University

**Abstract:** sugar beet is of great importance for the economy of Serbia. To improve the quality and quantity of beets and the methodology developed.

**Keywords:** herbicides as chemical compounds, sorniki, sugar beet, soil.

Along with the destruction of weeds, herbicides as chemical compounds of high biological efficiency have an impact on the environment. Some of the negative effects of herbicides are linked to their toxicity to humans, plants and animals that are sensitive to them. No less urgent problem - the accumulation of residual quantities in the soil and agricultural products.

An important role in the processes of accumulation and circulation of herbicides in the environment belongs to SMOs Island. The active ingredients of herbicides will eventually fall into the soil, where the impact on its effectiveness-tive fertility, can leach out and contaminate water sources, as well as cultivated plants absorbed and accumulate in the crop. Detoxification of herbicides in soil occurs in re-result of physical and chemical absorption, the enzymatic processes and biological destruction you-diffuseness, volatilization.

The degree of adsorption agents soil, their decomposition rate and the penetration depth depends on the properties of products and on the characteristics of the soil and weather conditions. It was found that light-textured soils, the depth of penetration of herbicides more than heavier. On soils containing more than 3% of humus, the danger adsorption herbicides organic soil particles.

According to domestic and foreign scientists using tank mixtures is almost no influence of sharing another herbicide [1; 2]. They found that only 1% of the total volume of pesticides used reaches the intended organism, and the rest is lost through air and water, accumulate in various units of the food chain. According to researchers, the most intense destruction of pesticides occurs within 7-14 days after treatment and lasts up to 60 days and then slows down.

The studies were conducted on the beet sowings, the triply-treated tank mixture recommended practice to the use of herbicides in 2014-2015 LLC «Agrotechnologies» Nikiforovskii paradise-one of the Tambov region. herbicide content in the soil and the product was determined by thin layer chromatography (MUK -01-4.1.1395-03 01.04.1125). The results showed that all the studied pre-formulations do not possess the property to accumulate in the doses used in the plow layer of soil, and of output above the maximum allowable concentrations and maximum allowable level. It SET-Leno that applied herbicide tank mixes completely decomposed at the end of the growing season, even if the fractional double and triple their application.

In recent years, research is being conducted to identify factors herbicides detoxification. Under the influence of soil microorganisms eat-they decompose and become available compounds used in the future as a source of power or energy.

In 2008-2010, we were laid field experiment to study the effect of multiplicity of row and gerbitsidnyh treatments on the biogenesis of the soil is determined by the intensity of decomposition of soil micro-organisms-linen. As a control option has been provided with an option of three-Application-tion row cultivation.

The results showed that increased from 22.4 to 26.2% in June to 68,6-79,4% by the end of the growing season in the control variant percentage decomposition of linen-term soil microflora in the topsoil. It was also established that in the deeper layers of the soil activity of soil microflora was slightly lower than in the upper horizon. Reduction of the biological activity of the soil microflora because with increasing depth decreases access of atmospheric oxygen into the underlying layers of soil.

In 2010, the percentage decomposition of linen was the lowest and amounted on options for the experience of 20,6-21,75 in July to 37,7-38,9% by the end of the growing season. Research has established that in a very disadvantageous conditions VMC-2015 a noticeable difference between the options of experience in the degree of degradation TCA-linen or have been identified. If in June, there was a difference between the options of experience (increasing multiplicity herbicide treatments resulted in the inhibition of soil microorganisms from 23.3 to 19.5%), then from July at a sufficiently high temperature (up to 460S) and low humidity until ubor- ki percentage decomposition linen fell sharply and practically does not depend on the number of proxy-apply the herbicide treatments.

In the embodiment with three herbicide treatments initial substantial reduction of an asset, offset by a significant increase in soil microflora (18,3-19,1%) this indicator to the end of the growing season (77,3-78,9%), which is associated with the active detoxification of the herbicide soil mikroorganiz-Mami to the end of the season.

When using a single inter-row and two herbicide treatments when first registered in June observational elk some inhibition of the development of soil microorganisms (19,5-20,2% vs. 22,4-25,6% in con-controlling versions).

After repeated treatments of these tank mixtures of vegetating weeds sharp-Chii differs from the control options have been identified. Apparently, this fact is due to ADAP-tatsiey soil microorganisms to systematic spraying the same herbicide.

When using two of row one and herbicidal treatments also observed first elements-ing suppression of microflora (21,6-22,8% vs. 22,4-25,6% in the control variants). Vposled-tion of soil microbiota adapted to the used drugs. By September, the activity of soil micro-organisms, did not differ from controls.

Stimulating the development of soil microorganisms can be explained as a rearrangement of the relations-between their various kinds as a result of the death of antagonists, and direct stimulation of Ost-the exact amount of herbicide. The soil is enriched with micro-organisms that have adapted to co-sponding herbicide decomposition and re-introduced the same herbicide occurs without adverse effects on soil biology. By the end of the growing season in these embodiments, the activity of the soil microflora nezna-significantly different from the control, ie the soil biogenic restored to normal.

Thus, as a result of the research found that the use of the studied Herbie-cides and tank mixtures does not lead to their accumulation in the topsoil and products by the end of the growing season on the agro-ecological and ecotoxicological indicators.

### **Bibliography:**

1. MargrietSamwel, . Organic Agricultur. 115

# PROBLEMS OF RURAL AREAS

**Kretsul Ekaterina Petrovna**

**Sening Elena Sergeevna**

Studentki 2 courses Law

Achinsk branch of the state agricultural university

**Arnautova Ekaterina**

scientific adviser

Art. Lecturer, Department of Land and land rights

Achinsk branch of the Krasnoyarsk State Agrarian University

Russia, the city of Achinsk

**Summary:** In article the theoretical aspect of a problem of rural areas is investigated. The author, has paid special attention of this problem and ways of her solution are proposed. In work a certain conclusion is formulated.

**Keywords:** rural areas, agriculture, country people.

The village the - historically developed, specific, social and territorial settlement community which has arisen owing to separation of craft from agriculture, one of the first forms of moving of the people occupied with mainly agricultural work, different from the city small concentration and small population within a certain territory. The social and economic space of the village includes:

- production and municipal structures;
- educational and cultural complex;
- reproduction of a manpower;
- self-sufficiency by production from personal homestead economy;
- development of rural cooperation, etc.

Set of these welfare and productive and economic conditions at direct influence of a personal factor forms the specific rural environment. The village represents not only the territory of producers of agricultural production, but also acts as rather difficult social and economic structure functioning according to certain regularities, rules and traditions, and also peculiar conditions of activity of people.

Considerable time country people was a supplier of low-skill labor for implementation of plans of socialist construction in the country. Scientists define two such waves in 28-30 years for ensuring industrialization of the country and in 50-60 years for development and development of new Siberian and northern territories. If the ratio of country and urban population in the 20th years was 70% for 30%, then by the end of the 60th this ratio became opposite 30% for 70%. In recent years this ratio was stabilized.

It is possible to draw the following conclusions:

- creation and development of large agrohholdings will lead to integration of a row as the inhabited rural points and the regional centers due to concentration of agricultural production and processing and to their transformation into the centers of development of the area, at reduction of population in other small rural settlements;

- migration of country people will continue in an explicit form, and the negative balance of migration will increase in general;

- the youth aged till 30 years, with average education and her most active part will migrate generally that will lead to loss of human potential in rural areas;

- growth of labor productivity in large-scale enterprises, development of new technologies will lead to reduction of number of the workers occupied in agriculture and will put a problem of employment of villagers for preservation of traditions, habitats, way and original culture.

For the solution of the created problems it is necessary to realize a number of anticipatory measures. Including:

In the field of strategy of development of agriculture and rural settlements:

- to subjects of the Russian Federation as a part of strategic development plans for the region to provide the separate section strategy of development of agrarian sector, having included in him construction plans of roads with hard coatings to perspective rural settlements, a gazofikation, stimulations of individual construction;

- to consider experiment of Republic of Belarus on construction of agrotowns.

- to consider the possibility of stimulation of migration of country people from unpromising settlements to larger rural settlements;
- to develop schemes of providing country people of sparsely populated settlements with social services, medical care, an education system;

In the field of employment of the population:

- to accelerate development of small business in the village and system recovery of Potrebkooperation, first of all stimulating creation of small enterprises on processing of agricultural products, wild-growing mushrooms and berries, medicative herbs;
- support of national crafts and production of traditional products, agricultural tourism;

In the field of stimulation of individual construction:

- to develop a set of standard projects of low construction, together with flow charts for rural areas with use of a wide range of construction materials (a tree, a brick, sand and slag stones, etc.);
- to develop standard projects of the rural houses allowing to attach subsequently to them the new areas.

Development of rural areas of our country once again proves need of studying of properties of the territory and their account at adoption of administrative decisions. It is impossible to operate rural areas from any center - the country, the republic, area, the area - without territorial distinctions: that well in the south, harmfully in the north that is necessary in the suburbs, useless in the remote place. And also it is impossible to operate any one component of rural areas, whether it be land grounds, the population, technical equipment, without difficult interrelations between her components.

#### **List of references:**

1. Shingarev A.I. Endangered village.//Sotsis, - 2002, - No. 2.
2. N. V. Chepurnykh, A.L. Novoselov, A.V. Merzlov. Regional development. Rural areas. Publishing house: Science, 2006.
3. Sociology: The textbook / Under the editorship of the prof. Yu.G. Volkov. – Prod. the 2nd, испр. and additional / M.: Gardarika, 2003.
4. "Social and economic and environmental problems of development of rural areas" / Materials of the international scientific conference on October 2-5, 2000 - Saransk, 2000. - P.1.
5. Bondarenko L. Assessment of level of social development of the village//agrarian and industrial complex 1997, No. 6



## PROBLEMS OF RURAL AREAS

**Melnikov Aleksey Viktorovich**

2nd year students of the Department Legal  
Achinsk branch of the Krasnoyarsk State Agrarian University  
Russia, the city of Achinsk

**Strelkov Sergey Sergeevich**

2nd year students of the Department Legal  
Achinsk branch of the Krasnoyarsk State Agrarian University  
Russia, the city of Achinsk

**Sibirina T. F.**

Research supervisor

Candidate of Biology, associate professor of department of the Landed right and organization of the use  
of land

Achinsk branch of the Krasnoyarsk State Agrarian University  
Russia, the city of Achinsk

**Abstract:** The village - a historically constituted, specific, social and territorial settlement community, which arose as a result of separation of handicrafts from agriculture, one of the first forms of human settlement, mainly engaged in agricultural work, characterized by a low concentration of the city and a small population within a certain territory. Considerable time the rural population is a provider of low-skilled labor force for the realization of socialist construction plans in the country.

**Keywords:** village, rural, countryside.

The village - a historically constituted, specific, social and territorial settlement community, which arose as a result of separation of handicrafts from agriculture, one of the first forms of human settlement, mainly engaged in agricultural work, characterized by a low concentration of the city and a small population within a certain territory. Socio-economic space of the village includes:

- Industrial and municipal structures;
- Educational and cultural sector;
- The reproduction of the labor force;
- Self-production with personal subsistence farming;
- Development of rural cooperatives, and others.

The combination of these socio-cultural and economic conditions of production and the direct impact of personal factors forms the specific rural environment. The village is not only the territory of agricultural products, but also acts as a rather difficult socio-economic structure, functioning in accordance with certain laws, rules and traditions, as well as the specific conditions of living.

This peculiarity manifests itself in the lifestyle of villagers, characterized by greater influence of customs and traditions, simple forms of communication between people, which is personified, less autonomy of life, the presence of peculiar forms of social control over the behavior of the person, a significant role and influence of local authorities, a significant influence public opinion behaviors of the individual. Life and production in rural settings are combined in a single territorial space, do not have a strict time frame, form the specific priorities and social needs of the rural population.

Considerable time the rural population is a provider of low-skilled labor force for the realization of socialist construction plans in the country. Scientists identify two such waves in the 28-30 years to ensure the country's industrialization and 50-60 years for the development and exploration of new Siberian and northern territories. If the ratio of rural and urban population in 20 years was 70% to 30% by the end of the 60s, this ratio was the opposite of 30% to 70%. In recent years, the ratio is stabilized.

However, this stabilization occurs against the backdrop of a significant reduction in the total population of Russia, and thus reduce the rural population in absolute numbers. The proportion of the rural population is supported mainly at the expense of the administrative reform of urban-type settlements in rural areas. So, in 2009, due to changes in the administrative-territorial structure of the urban population of Russia decreased by 113 thousand people (in 2008 - 87 thousand people.). If in 1989 there were 3230 urban settlements, but today - this 2394. Pri Rosstat lives in Russia the youth aged 15 to 24 years - 23.7 million people and pensioners - 38, 8 million.. in 1989, the average age of the country was 34 years, in 2008 - 38.7 years. Accordingly, in the near future will be a reduction of the working-age population.

These processes are affected by the villagers, and for various reasons, will take place even more intensively. It is obvious that as a result of further development of cities there is a need in the medium and low-skill labor. In the early 2000s, according to calculations HSE need for such work was 8.4 million people. Here are 5 million people -.. Migrants external and 3-3.5 million domestic workers. Internal migrants can be divided into two groups - the official workers - ie those who change and residence and place of registration and give in statuchetu and informal - who live in the cities and not temporarily change the place of permanent residence. Only an expert can be estimated by similar flows, but the fact that the scale of their large can be represented in terms of a daily or weekly migration of rural residents of Moscow and the surrounding areas to work in Moscow, in a radius of about 80-100 km. At present, the potential of rural-urban migration is almost exhausted and the substantial growth of the urban population at the expense of this source is not possible. An analysis of the demographics of agriculture and the rural population in developed countries show a similar pattern of trends. Thus, in developed countries, the rural population does not exceed 11.7% of the population. At the same time, for example in the United States, agriculture is no longer a major source of income for the villagers.

Performance of Agriculture from 1948 to 1999, grew rapidly - on average 1.9% per year. The rapid growth of productivity led to a reduction in labor requirements. If in 1970 54% of farmers have sources of income outside agriculture, there were already 93% in 2002.

It is not hard to notice that a similar situation in Russia. In Russia in 2006 it was 16.9 thousand. Large and medium-sized farms. The largest and most efficient farms, which account for 1.8% of the total number of farms were included in the so-called club "Agro-300". It includes all branches of the economy (36% poultry, 28% of cereals, meat and dairy 9%, 8% hog, vegetable-growing 6%, fruit and berry 1%, other 10%), but is dominated by poultry and cereals.

With only 3.2% of agricultural land in 2004-2006. they gave 28.8% of commercial agricultural production in Russia, 67.9% of the profits.

The cost of commercial products based on the average worker in the farms Club is 3 times higher than in other agricultural enterprises. For the years 2004-2006. agricultural enterprises in the country have reduced the number of employees by 24.7%, while the reduction of the members of the Club almost was not. During those same years, the members of the Club "Agro-300" area of farmland increased by 7.5%, 12.9% of crops, and the rest of the economy have reduced the area of farmland by 18.9% and the area under cultivation of 11.9%.

To sum up the above said, we can draw the following conclusions:

- The establishment and development of large agricultural holdings will lead to a consolidation of a number of communities in rural settlements and regional centers due to the concentration of agricultural production and processing and turning them into centers for the development of their region, while reducing the population in other small rural communities;

- The migration of the rural population in an explicit form will continue, and migration in general deficit will increase;

- Will migrate mainly young people under the age of 30 years, with secondary education and its most active part, which will lead to a loss of human potential in rural areas;

- Labour productivity growth in the major economies, the development of new technologies will lead to a reduction in the number of workers employed in agriculture and put the issue of employment of rural people in order to preserve the traditions, habitat, lifestyle and indigenous culture.

### **Bibliography:**

1. Shingaryov AI Dying village. // Sotsis, - 2002, - number 2.
2. VG Bocharov Professional social work: a student-centered approach. M., 1999.
3. NV Chepurnykh, AL Novoselov AV Merzlov. Regional development. Countryside. Publisher: Nauka, 2006.
4. Sociology: Textbook / Ed. prof. SOUTH. Volkova.- Ed. 2nd, rev. and ext. / M.: Gardariki 2003.
5. "The population of Russia 1998"., Center for Demography and Human Ecology, 1999.

# PLASTIC GARBAGE AS SECONDARY RAW MATERIALS FOR PRODUCTION OF ENERGY RESOURCES

**Muratova Olga Andreevna**

The student 4 courses in the Land management direction  
Achinsk branch of the state agricultural university  
Russia, city of Achinsk

**Kozar Elena**

Research supervisor

Candidate of Biology, associate professor of department of the Landed right and organization of the use of land

Achinsk branch of the Krasnoyarsk State Agrarian University  
Russia, the city of Achinsk

**Abstract:** In the present article the possibility of receiving "energy resources" from plastic waste is considered. Processing of plastic garbage. And also solutions of global problems of the plastic waste connected with utilization.

**Keywords:** Plastic garbage, processing, production, secondary raw materials.

The plastic garbage is a resource, for production of alternative fuel and not only, these most available raw materials for processing industry. And at the same time, it is one of the sets facing mankind of the problems demanding immediate in the relation, permissions. Especially, in the light of globalization, with growth of number the population of Earth, also requirements grow, at the same time, and the quantity of waste on dumps, so, sharpness of this problem everything increases, in bigger and bigger degree. And, in this regard, many countries are seriously concerned about a problem, utilization or processings of this waste.

For some countries, the musoropererabotka became multi-billion business which in all or in the most part is used by them, in particular, it is Germany, Japan, China, Sweden, Great Britain and the USA, and the last two countries, exports huge volumes of the waste to China which processes them and uses as secondary raw materials.

Russia processes only 3 — 5%, waste while some other countries, on average, more than 50%, Sweden even has begun to buy municipal solid waste (further — MSW), at neighboring countries. And the annual turnover of waste-processing branch of Germany is estimated at billions of euros.

Plastic, in the majority, consists of a tereftalat of polyethylene on which production the huge amount of oil leaves, and potentially, being a product of the petrochemical industry, made, mainly from "oil", stores in itself the huge volume of energy which so far, literally goes to junk. Plastic waste which we regularly send to a dump (bottles and packings from different drinks, oils, canned food etc.) are "resource" for further use, in particular, for production of alternative types of fuel.

Decomposition of a plastic bag or plastic bottle, under natural conditions will require from 500 to 1000 years [3]. And therefore, some countries have refused use of a plastic container. But every year the problem of the treatment of MSW only becomes aggravated since, similar waste, is still taken out on dumps, and only insignificant quantity it is processed.

More than 2,5 thousand hectares of the earth are engaged in Russia with dumps, 12% are farmlands, 7,5% of the earth of forest fund, more than 46% of dumps are in settlements [1].

From 1965 to 2010 consumption of oil in the world has increased by 2,8 times [9] therefore also oil production increases. Today annual oil production makes 47 billion barrels in a year [5], 8% from which it is spent for production of plastic products [6]. Annually 29,6 million barrels of oil go to the USA on plastic bottles and packages, such amount of fuel will be enough for operation of engines three million cars during the whole year [2].

With increase in prices for oil, recently, also the prices of polyair (food plastic) grow, however, their use only grows in the world, and every year for several percent. In particular, it can

be connected with their qualitative characteristic — resistance to external influences that allows to use them as a protective or insulating layer, for metal products, thereby, expanding a circle of their use.

The city garbage contains up to 24% of plastic waste [6] which in the nature, practically don't decay, and when burning emit toxic substances (phthalates, cadmium, lead, dioxine, etc.) which collect and aren't brought out of an organism.

Production of "energy resources" from plastic waste, one may say, unprecedentedly is one of the most acceptable options of their use. For receiving even megatons of the raw materials which aren't demanding multimillion investments on geological investigation of fields, development of deep mines or drilling of wells. Really, it is cheap and available option of receiving energy resources from plastic waste, and the decision, an ever-increasing problem of their utilization.

According to the program of processing of household waste (plasticity, etc.) in electricity and energy for heating, Sweden gains such steam (providing 20% of a central heating and about a quarter of one million houses with electricity) that only 4% of such garbage go to dumps of the country (whereas on average across Europe about 38%). The rest or is processed, or, goes to waste incineration furnaces [7]. This option is not the best as burning of garbage leads to emissions in the atmosphere of the dioxine posing threat for environment.

Processing of plastic garbage in synthetic oil, is a real opportunity to get rid of huge volumes, the accumulated plastic garbage, receiving from her, high-quality synthetic oil of easy or average fractions. In this direction works with many companies and one of them were carried out by Envion which has made the generator (Envion Oil Generator) capable to process plastic into liquid fuel.

The generator (Envion Oil Generator) developed by the Envion company, is capable to process 10 000 t of plastic garbage annually, giving at the same time up to 50 000 barrels of synthetic oil. This method allows to process up to 82% of plastic into liquid fuel, and processing cost in synthetic fuel makes, about, \$17 for t. Introduction of such installation across the nation the USA, taking into account the plastic garbage which is dug in to the earth there, her would allow to make more than 150 000 000 barrels of synthetic oil annually. [7]

Therefore the plastic garbage which we have got used to throw out on garbage dumps has to be processed and be used again. With the "bottle in a bottle" technology as it call, Pat plastic (food plastic) which we have got used to see in the form of a bottle from under water or in the form of disposable tableware, it can be processed, practically, with invariable preservation of technological features, that is, the bottle can return to us again.

The cost of secondary raw materials in the Russian market about 25 — 35 rubles, and more while primary is twice more, and from 1 kg of plastic waste, it is possible to receive 0,8 kg of secondary raw materials [8] which can be reused. Also it is necessary to consider the fact that processing plastic waste, we not only reduce quantity of waste on dumps, but also we reduce need for oil production. It is possible to receive from 6 000 to 13 000 rub for 1 t of plastic waste, and in the processed look, its cost is estimated by from 25 000 to 35 000 rub, and more.

Proceeding from it, one may say, that dumping 20 t of plastic waste, approximately so much, annually, makes the city with the population 100 000 people, on dumps, on average, there are 200 000 rub. If to process it, then it is possible to save more than by 1,5 times and if to sell, then on average, we will receive 700 000 rub (35 rub/kg). How many the cities of millionaires throw out plastic waste, and don't process it? Moscow, with the population of 12 million people, one may say, throws out at least 84 000 000 rub on dumps, in the form of plastic garbage, annually, in Russia (the population of 143 million people [4]), these data it turns out, 1 001 000 000 rub are equal, and only within 10% of plastic it is processed.

We often forget that it we in the answer, for that how pure, convenient and safe will be our existence on this Earth, depends it, and how we will use MSW — to take out on dumps or the enterprises for processing.

### **Bibliography:**

1. Dulenkov A.V of Russia will be counted by all illegal dumps — the Russian newspaper. [An electronic resource] — the access Mode. — URL: [www.rg.ru/2011/10/20/svalki.html](http://www.rg.ru/2011/10/20/svalki.html) (date of the address 3/10/2016)

2. Where oil leaves? 27.04.08 [An electronic resource] — the access Mode. — URL: <http://www.priroda.su/item/284> (date of the address 3/10/2016)
3. The garbage on dumps will lie thousands of years. 21.05.08 [An electronic resource] — the access Mode. — URL: <http://www.priroda.su/item/333> (date of the address 3/10/2016)
4. The population of Russia on 1/1/2013 [An electronic resource] — the access Mode. — URL: <http://ru.m.wikipedia.org> (date of the address 3/10/2016)
5. Oil. 11/8/2013 [An electronic resource] — the access Mode. — URL: <http://ru.wikipedia.org/wiki/> (date of the address 3/10/2016)
6. Romanchenko V. "IT baizes: About oil from plastic bottles" 12/20/2009 [An electronic resource] — the access Mode. — URL: <http://www.3dnews.ru/584545/> (date of the address 3/10/2016)
7. Rudy Yu. "At Sweden own garbage" 11/1/2012 [An electronic resource] — the access Mode has ended. — URL: <http://www.vesti.ru> (date of the address 3/10/2016)
8. [An electronic resource] — the access Mode. — URL: [http://cleandex.ru/articles/2010/05/24/plastic\\_wastek\\_prices](http://cleandex.ru/articles/2010/05/24/plastic_wastek_prices) (date of the address 3/10/2016)
9. [An electronic resource] — the access Mode. — URL: "fuchs\_prognoz\_tsen\_na\_neft\_i\_neftegazovih\_dohodov\_rf\_2012" <http://movikom.ru> (date of the address 3/10/2016)

# DEVELOPMENT PLAN SETTLEMENTS CHAPLINSKAJA OF THE VILLAGE COUNCIL OF NAZAROVSKY DISTRICT IN KRASNOYARSK KRAI

**Naumova Anastasia S**

Usol'tseva Sophia Albertovna

students of the 4th course of the Department of inventory built-up areas and ISM

Krasnoyarsk state agrarian University

Russia, Krasnoyarsk

**Mikhalev, Yuri Akimovich**

supervisor

candidate of agricultural Sciences, associate Professor of the Department of inventory built-up areas and ISM

Krasnoyarsk state agrarian University

Russia, city of Krasnoyarsk

**Abstract:** In the article on the basis of analysis of the current state of human settlements Chaplinskaja village Council defined the concept of development of rural municipalities and illustrates the specific activities in the development of residential, social, business and recreational areas. The development plan is aimed at ensuring favourable conditions to attract young qualified specialists.

**Keywords:** the problems of rural areas, the existing population, projected population, employment balance method.

Rural development has reached a critical level. Village and rural populations currently facing not the best times. The negative effects of socio-economic transformation of recent decades has plunged the rural areas in a state of prolonged crisis. Economically sustainable and socially underdeveloped rural areas - the guarantor of stability, independence and food security of the state, so the vector of their development should be a top national priority.

The object of the research is the territory of the village Council Chaplinskaja Nazarovo.

The aim is to develop proposals for the integrated development of industrial, residential and public and business zone Chaplinskaja village Council which will attract educated young professionals and to limit the outflow of young people.

The objectives of the research are:

- to examine the current status of the research object;
- to consider the prospects of development of industrial zones;
- to develop a proposal for the development of residential, public and business areas and to allocate land plots.

Nazarovsky district is relatively small – 4309 km<sup>2</sup> (including city of Nazarovo – 79 km<sup>2</sup>) in the Western part of the Krasnoyarsk region. The district is characterized by a relatively high degree of economic assimilation in the past. The region has a population of 78.8 thousand people including the city Nazarovo. The rural population of 23,9 thousand people and settled in 60 towns, the rural population density of 5.7 people per 1 km<sup>2</sup> [3].

Nazarovsky district is one of the main agricultural areas of the region. On production it ranks first in the province. Climatic conditions allow to develop the agricultural sector and to produce sufficient products to meet the needs of the district and export it.

The district includes 11 agricultural enterprises and 8297 private households. The direction of production of agricultural enterprises — dairy-meat with well-developed crop that provides a stable fodder base for animal husbandry [5].

Chaplinsky the village Council has the status of a rural settlement and is located in the southern part of the district. It consists of 5 settlements such as village Sakhapta (the administrative centre), Dmitry Kanash, D. Robin, D. Sereul, D. Hill. The population as of 01.01.2015 is 1449[4].

So, to solve the problems, we propose the following solutions.

First, to develop plans for the development of higher and secondary professional education in the agricultural sector. This will do it well enough to reduce the outflow of young people to larger cities, as it

is for this reason and there is a reduction in the number of young people. In addition, it will allow young people from villages to pursue higher education without leaving the area.

Secondly, it is necessary to organize agricultural enterprises with conditions such as climatic and soil fertility. For example, JSC "Chaplynske ", which focuses mainly on growing of grain and leguminous crops. After all, the main reason for the "death" of the village is the lack of work because unemployment people are willing not only to leave their homes in search of work, but ready to go long distances, destroying thereby the probability of returning to their homes and to give the possibility to exist of the settlement.

Thirdly, it is necessary to develop a project plan parts of the settlements.

Project the population of municipalities is calculated according to the method of the employment balance will be 1658 people, the Income of the population is expected to 209 persons[2].

To ensure the design strength of housing available in 2 localities (D. Robin and D. Kanash) of the municipality to accommodate residential settlements corresponding to modern requirements. Based on the project of domesticity coefficient equal to 2.5, for the purpose of education household land plots for placement of houses requires land plot with a total area of 20.1 ha. To ensure the design of the people with objects of social and business areas (kindergarten, school, hospital) required land area of 2.1 hectares[1]. For the development of recreational zone is proposed in the settlements you want to place the Park on an area of 1 ha. Therefore, the purpose of the development plan settlements required the land plot with a total area of 23.2 ha. of Land for development in Malinovka is proposed to be located on the area with the southern part of the settlement and the second settlement D. Kanash from the Eastern side.

The development plan of localities Malinovka and D. Kanash is aimed at ensuring favorable conditions for work, living and recreation. The project plan is the basis for the creation of projects of land survey and urban development plans of the municipality Chaplinskaja of the village Council.

### **Bibliography**

1. "The town-planning code of the Russian Federation" from 29.12.2004 N of 190-FZ (as amended on 30.12.2015) (from CH. and EXT., Preface. effective 10.01.2016) / <https://www.consultant.ru> (date of treatment 11.03.2016 G.)
2. The set of rules SP 42.13330.2011 "SNIp 2.07.01-89\*. The urban development. The planning and development of urban and rural settlements". / <http://base.garant.ru> (date of treatment 11.03.2016 G.)
3. Explanatory note to the General plan of the city of Nazarovo, - 2007 г. – С. 20-23.
4. <http://www.krskstate.ru> (date of treatment 12.03.2016 G.)
5. <http://www.webeconomy.ru> (date of treatment 11.03.2016 G.)

# SUSTAINABLE AGRICULTURE

**Podlesnov Alexei Valerevich**

2nd year students of the Department Legal  
Achinsk branch of the Krasnoyarsk State Agrarian University  
Russia, the city of Achinsk

**Fadeev Kirill Valerevich**

2nd year students of the Department Legal  
Achinsk branch of the Krasnoyarsk State Agrarian University  
Russia, the city of Achinsk

**Arnautova Ekaterina Sergeevna**

Research supervisor

St.prepodavatel' of department of the Landed right and organization of the use of land  
Achinsk branch of the Krasnoyarsk State Agrarian University  
Russia, the city of Achinsk

**Annotation:** with the transition to market economy country's agriculture was proving in very unstable social, demographic, environmental and economic conditions. The article are considered the possibilities of increasing the controllability of agricultural production by combining crop and animal production through the introduction of a binderblock «ground», which will increase the sustainability of agriculture in the perspective. The measures of state regulation in this case should be aimed at improving the rural economy, improving the quality of life of the rural population, conservation of the environment, and in particular, aimed to the conservation of soil fertility for future generations.

**Keywords:** agriculture, sustainability, development, market equilibrium, damage the natural environment, state regulation.

In order to achieve sustainable development of the world community and it was given to agriculture is given special me-sto - it must be in conjunction with the mid-expanding sector of every service mean kompensirovat domination industry and to ensure social and economic development and environmental protection [1, p. 38]. Thus the special role of agriculture is primarily due to the fact that agriculture in comparison with dru-gimi spheres of human activity closest to nature, it neposred-stvenno use of natural resources, particularly fertile (organic) layer of the land surface on the formation of which went millennium. Thus, agriculture has a major impact on the environment, including in rural areas. And this influence throughout the history of mankind has been extremely negative that svyaza-no, first of all, with the intensification of agricultural production in the desire to fully satisfy human food and potrebnostey in pursuit of continuous improvement of quality food - its composition and structure. This model of agriculture has resulted:

- To soil erosion and deposition of sediments washed out plodorod-nogo layer on the bottom of lakes and rivers, salinization and zabolachi-vaniyu land, depletion of groundwater, etc.
- Poisoning of the natural environment remains mine-ralnyh fertilizers and pesticides, which in turn has created a threat to human health neposred-stvennuyu suschestvova-niyu and other plant and animal species;
- To increase the number of cancers and vrozhdennyh defects;
- A violation of the natural biological balance meha-nizmov.

Thus was destroyed the centuries-old ecosystem's ability to heal itself [2], mankind became udovletvo-ryat present their vital needs by future generations. Thus, modern agriculture has come to represent, along with other areas of human activity, a serious threat to the achievement of the objectives of the international community of the global program.

The intensification of agricultural production, expressed in the transition from natural to artificial fertilizers, replacement of horse traction machines, mechanization technology for the processing of agricultural products, etc., in the XX century has led to an increase in the average yield of grain crops in the developed countries is about three times. This positive development is known to many, but on the negative effects of intensification, that energy consumption per tonne of wheat at the same time increased by almost a hundred times [3, p. 121], probably few know. It so happens that, not deciding to provide food for the world population problem (there is a tendency to increase the protein deficiency in the diets of billions of people in Asia, Africa, Latin America), the world community was faced with an even more daunting challenge - the accelerated depletion of non-renewable Earth resources (it is literally for the next



three or four decades), producing at the same time increasing the amount of waste for disposal which nature would take time, comparable in duration with the time of the geological reconstruction of the planet. Furthermore, humanity is beginning to experience a shortage and renewable resources such as fresh water.

As noted in the documents of the FAO (Food and Agriculture Organization of the United Nations), in relation to the development of a peasant economy involves, first of all, conservation and preservation of soil fertility, rational use and protection of water resources, preservation and appropriate capacity of plant and animal genetic potential. This objective is the sustainable production of high quality, safe products, the achievement of which is possible only if a priority multilateral support of under-regulating natural factors operating in ecosystems.

The definition of "sustainable agriculture" is not to be supposed by many authors, that "development" and "sustainable agriculture", there is the concept of synonyms. To show the differences in these terms, it is necessary to clarify the essence of the concept of "development".

The definition of "development" adopted in the scientific literature suggests as a prerequisite - a gradual and monotonic variation in time of spatial developing state of the system (eg, agriculture). At some point in time state of the system changes abruptly (step catastrophe) and the system switches to a new level. Then it repeats again, but at a new qualitative level. In other words, the development process is presented as a sequence of cycles of gradual changes in the spatial system state and disasters, the transition to the next level and start a new cycle of development of a qualitatively new system.

System transition from one state to another space is influenced by many external influences on parameters current state of the system, the so-called input variables, and represents a change in the characteristics that define the internal state of the system. The behavior of the system under the influence of input variables is expressed through a set of output values (variables). The values of these quantities characterize the management objective, which allow to assess the compliance of traffic system optimal calculated trajectory.

In contrast to the abrupt transition from one level to another, "sustainable agriculture" involves, ultimately, to maintain balance between the mutually associated subsystems - economy, social sphere and the environment, that is, the preservation of sustainable agro-ecosystems. The latter, in turn, must ensure the food supply, not only production, but the population is not engaged in agricultural production, as well as obtaining the average profit and income agricultural producers. In this understanding of sustainable agriculture is nothing but a stable functioning dynamic system, which is only possible when saving or reproduction of natural resources, especially soil fertility.

It follows from the foregoing that agriculture as a subsystem of the whole (the national economy) is a non-equilibrium, unstable (oscillating ranging) system, therefore "in any of your state requires a supply of energy and resources, that is, the impact from the outside" [4, p. 314]. The need for "external impact" on the country's agriculture means that the State should make some effort or energy in order to minimize the impact of external forces and disrupt the movement of direct agriculture towards the maximum order. In other words, the result of conversion of the energy coming from the outside community should be agriculture, less prone to crises and disasters and capable of sustainable (optimal) development.

The development is considered to be unstable if it is not integral to the historical and temporal aspects. This means that there are strong variations and jumps (catastrophe) in the long-term trajectory of the system. Here we have the conditions "development", but not the conditions of "sustainable development", that is not excluded recurring phase of gradual changes in the variables that characterize the spatial state of the system and its abrupt (catastrophic) transition to a different qualitative state (the next level).

Thus, a necessary condition for sustained (positive) development of rural households as a dynamic system, is its stability, which is one of the most important features of its behavior and is an important concept in management. This means that the system (ie agriculture) should function properly, be relatively insensitive to the inevitable disturbing influence of various kinds, that is, to work steadily, despite the impact of, for example, climatic conditions. This important characteristic of agro-ecosystem sustainability will resist disruptions in the annual production of final products and trends to an increase in production costs caused by the replacement of labor and material means of natural resources such as fertile soil or fresh water reserves [5], that is, signs of instability system, including in the social sphere.

Thus, under the sustainable agriculture as a complex agro-ecosystems, including the population, production and social spheres, as well as natural resources, we will be referring to agriculture, capable of sustainable reproduction of all its potential - the environment, means of production, as well as households, throughout their occupied territories and indefinitely long time.

In other words, sustainable agriculture involves finding and functioning of agriculture (systems) within a certain allowable values of the variables that characterize the state of the system for an extended (for human civilization - is practically infinite) period of time. And it is not enough only to processes of self-organization on the part of economic entities, for example, by selecting the structure of agricultural production, the most appropriate soil and climatic conditions of the area (minimizing damage to the environment), increasing the productivity of fields and farms, zapasov regulation, insurance funds.

**References:**

1. The concept of long-term sustainable development // Economics of Agriculture of Russia, 2005. - № 10. - S. 37-38.
2. Kolinko A. Sustainable agriculture - from theory to practice // International Agricultural magazine, 1999. - № 3. - S. 8.
3. NN Moiseev human eyes Ecology Mathematics: (Man, Nature and the Future of Civilization). - M. : Mol. Guard, 1988. - 254 p.
4. Nusratullin VK Non-equilibrium economics. - 2nd ed. - M. : Sputnik + Company, 2006. - 482 p.
5. Andryushchenko SA Economic mechanism of sustainable development of regional agricultural systems // International Agricultural magazine, 1997. - № 4. - S. 18-20.

## REPRODUCTION GREEN CUTTINGS GRAPES WITH CLOSED ROOT SYSTEM IN CONDITIONS OF SOUTHERN FOREST-STEPPE OF WESTERN SIBERIA

**Anastasia P. Ryzhikh**

undergraduate course 2 Department of Horticulture, Forestry and Protection  
FGBOU plants in Omsk State Agrarian University.

Stolypin Russia, Omsk

**Marina V. Usova**

Research supervisor

Cand. of agricultural Sci, associate professor of gardening, forestry and protection of plants  
Omsky of the state agricultural university of P. A. Stolypin

Russia, the city of Omsk

**Abstract:** The article analyzes the impact of climate on the callus and rooting of cuttings of green grapes. Studies have shown that callus formation begins on the 5th day after the landing, and ends on the 10th day, rooting starts on 15th day and ends on 25th day.

**Keywords:** grapes, closed root system, climate, green cuttings, a substrate, callus, roots, yield annual plants.

Grapes are one of the oldest plants on earth, its age is estimated at about one hundred million years. In Russia, the first vineyard was founded in 1613 in Astrakhan [1]. Grapes in Siberia - a relatively new culture. The advantages of culture are high yields of fruit with good taste, in addition, the grapes in Siberia only slightly affected by diseases and pests. This among gardeners - fans there is a big demand for planting grapes. For many years the culture of grapes in Siberia was considered unpromising. The need for planting grape material is increasing every year, recently greatly increased the demand for seedlings with closed root system. Growing seedlings with MCS allows them to plant in the garden without rearing, which allows shorten the cultivation of planting material for the year [1-4].

Under natural conditions, the grapes propagated by seeds and vegetatively. In industrial practice viticulture its cultivated varieties are propagated only vegetatively - conventional and grafted cuttings, less layering, as well as plants grown from apical meristem growth cone. Green cuttings - an artificial method of vegetative propagation, which is based on the regeneration process, ie, the ability to separate from the mother plant parts to restore lost organs [1-4].

**The purpose of research** - the study of the regenerative capacity of the different grape varieties take root and grow in the substrate with a closed root system in the conditions of artificial fog.

**The objects** of the study were 6 varieties of early ripening of grapes: Memory Dombkovskoy, currants Russian, Aleshenkin (K), Cosmonaut, the average period of ripening varieties: Kara uzyum, Rizamat. These varieties are new to the Omsk region, characterized by high frost resistance, and good taste. For control taken Aleshenkin table grape early ripening, 110-118 days. Experiments for the Study of the regenerative capacity of green cuttings of grapes carried on a small experimental field OmGAU in mobile greenhouses with artificial fog technology-based green grafting fruit crops developed in OmGAU (1990) and TAA (1991) [3.4]. Cuttings carried out June 16, 2015 before the flowering vine in the transition stage from herbaceous to woody state that is considered the best grafting period. Green cuttings before planting were treated for 16 hours with aqueous acid i-IBA (50mg / l). The cuttings were planted in plastic containers with a capacity of 0.5 liters, filled with sand + substrate vermiculite (1: 1 by volume). planting scheme, based on container size 10x10 cm. Every 5 days after planting was carried out monitoring of the formation of callus and roots by prodergivaniya return to the place. Repeated experiments 3-fold. At 9:00,

15:00, 21:00 measured temperature and relative humidity of the air aspiration psychrometer, temperature of the substrate - soil thermometer.

**Research results:** Humidity substrate and film into a mobile greenhouse during the rooting of cuttings depended on the work of installation of artificial fog, the air temperature in the open ground, airing frequency during hardening (late August - September) - held by irrigation. The process of rooting cuttings in green, as a rule, preceded by the formation of callus. Callus isolates places wounding and these cuttings gives greater resistance to adverse environmental factors and disease-causing microbes, making it easier to care for cuttings and a positive effect on their establishment.

In the initial period of callus formation (5-10 days after planting) plays an important role substrate temperature. In the first 5 days it ranged from 28.1 to + 29,5oS. On day 15 after planting, when planted cuttings are most intense internal rooting processes, the substrate temperature was + 21,2 °S, at an air temperature of 23.8 °S, with relative humidity in a greenhouse the rooting period (15 - 25 days after planting ) is in the range 94 - 97%. In general climate was favorable for rooting cuttings. The process of callus formation (Figure 1) starts 5-10 days after planting in all grades, aided by the high temperature of the substrate (29.5 °S). More intensive callus formation process goes from grapes Memory Dombkovskoy, currants Russian, Kara uzyum, Rizamat and Aleshenkin, from 70 to 100%, the lowest 65% in grade Cosmonaut, which is 30% less than in the control group.

Root formation begins on the 10th day. After landing, after the formation of callus, but the rate of formation of roots at different grades. Fastest root formation ended at grade Memory Dombkovskoy 15 days. 100%, the lowest rate in the litter Rizamat 75% (Fig. 2).

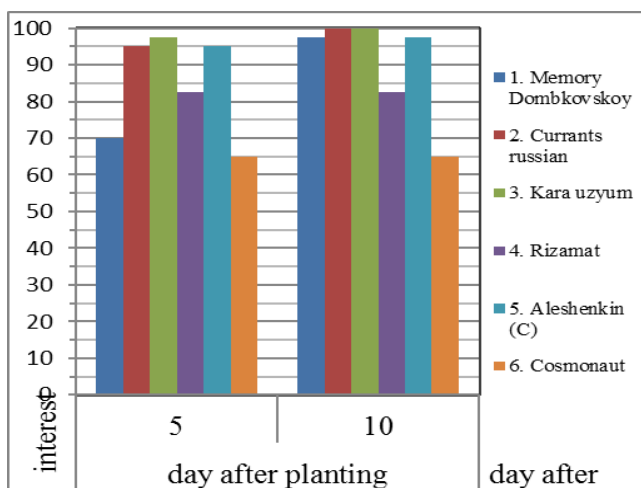


Fig. 1. Dynamics of the formation of callus in cuttings of green grapes (teaching experimental field OmGAU 2015)

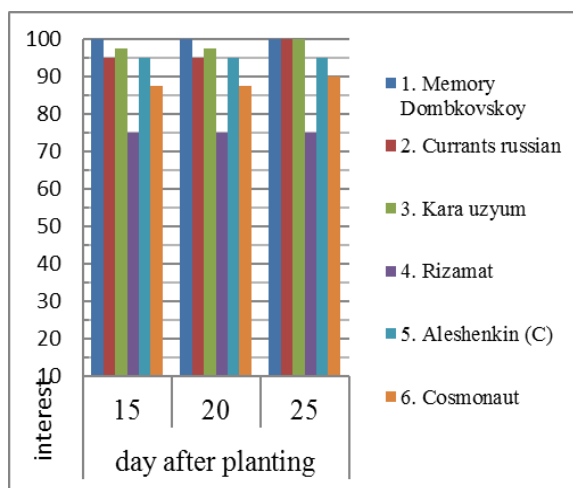


Fig.2. Dynamics of formation of roots at the cuttings of green grapes (teaching experimental field OmGAU 2015)

As can be seen from Table 1, the percentage of rooting cuttings of green grapes ranged from 75% grade Aleshenkin (K) to 90-100% in grades Kosmonoavt, Kara uzyum, Memory Dombkovskoy, currants Russian and Rizamat. Out of annual plants, depending on variety and climate conditions ranged from 75% (K) Aleshenkin to 100% Memory Dombkovskoy, currants and Russian Rizamat as mathematical treatment showed a significant difference in the rooting of cuttings of annuals and the output is observed only in the control variety Aleshenkin.

Table 1

Output annuals grape varieties obtained from green cuttings (educational-experimental field OmGAU 2015)

grade	rooted cuttings, %	Out yearling		retreat, %	In Vol. H. With shoots, % of same age
		%	pcs. / m <sup>2</sup>		
Memory Dombkovskoy	100.0	96.8	96.8	3.2	100
currants Russian	100.0	100.0	100.0	0.0	100

Kara uzyum	95.0	93.8	93.8	1.2	100
Rizamat	100.0	100.0	100.0	0.0	100
Aleshenkin (K)	75.0	75.0	75.0	0.0	100
Cosmonaut	90.0	87.5	87.5	2.5	100
NDS <sub>0,5</sub>	12.2	13.6			

Minimum withdrawal annual plants ranged from 1.2% in grade Kara uzyum and to 2.5% in the variety Cosmonaut, the maximum deviation is observed in memory Dombkovskoy grade - 3.2%, due to the decay of the cuttings with increasing substrate temperature and humidity.

Of great importance to the output of standard seedlings is growth of annual shoots. Buds sprouted all cuttings. The growth of shoots began on the 15th day. (31 July). The maximum growth of shoots was observed in July 3decade -1 August. The growth of shoots in with. Russian currants on the final period was 67.2 cm., Such varieties as the Memory Dombkovskoy, Rizamat, Aleshenkin (K) and Kara uzyum given the weak growth of 6.8 cm to 65.6 cm.

By the end of the growing season annuals have a well-developed aerial and part of the root system. The height of the aerial part depending on the variety ranges from 60.5 (p. Aleshenkin) to 74 cm. (P. Currants Russian). The least number of roots of the 1st order is observed in patients with. Memory Dombkovskoy 15 pcs., The maximum number of 26 pieces. at p. Cosmonaut, the total length of the roots ranged from 150 patients with. Astronaut to 220 cm. At p. Memory Dombkovskoy.

**Conclusion:** Under the conditions of southern forest-steppe of Western Siberia in greenhouses with artificial fog creates favorable conditions for rooting green cuttings of the studied grape varieties with closed root system, when the air temperature 23,8-25,5 ° C, the substrate 21,2-29,5 ° C and relative humidity of 94 - 97%.

Of all studied varieties have a high regenerative sposobnostyuzelenyh cuttings, the percentage of rooting green cuttings of grapes ranged from 75% grade Aleshenkin (K) and up to 100% in grades Memory Dombkovskoy, currants Russian and Rizamat, the output of annuals grape plants varies from 75 to 100 pcs. / m<sup>2</sup>. Respectively.

#### ***Bibliography:***

1. Viticulture / KV Smirnov, TI Kalmykov, G. Morozov; Ed. KV Smirnova. - M.: Agropromizdat, 1987. - 367 p.: silt. - (Textbooks and learning benefits for students of higher educational institutions...).
2. Loginova, SN / rooting cuttings of green grapes in containers on various substrates under the South-steppe of Omsk Region / Loginov SN, SG Suchocka, Kumpan VN / Herald. - 2010. - number 6 (68) - p.
3. Suchocka. SG Reproduction of softwood cuttings of fruit crops in Western Siberia: Lecture / SG Suchocka - Omsk. 1990. - 24 p.
4. Tarasenko. TM Green cuttings horticultural and forest crops / TM Tarasenko. - M.: Publishing House of the ICCA. 1991. - 272 p.

# EFFECT ON ROOTING SUBSTRATES GREEN CUTTINGS HONEYSUCKLE-STI UNDER SOUTHERN FOREST OMSK REGION

**Roman A. Sakharilenko**

2th year courses undergraduate

departments of gardening, forestry and protection of plants

Omsky of the state agricultural university of P. A. Stolypin

Russia, the city of Omsk

**Marina V. Usova**

Research supervisor

Cand. of agricultural Sci, associate professor of gardening, forestry and protection of plants

Omsky of the state agricultural university of P. A. Stolypin

Russia, the city of Omsk

**Summary:** In article the analysis of influence of a microclimate and substrata on a korneobrazovaniye of green shanks of a honeysuckle is given. Researches have shown that rooting of green shanks begins for the 10th days after landing, and comes to an end for the 30th days. An exit of coevals depending on a substratum has on average made from 66.6 (sand) to 72.8% (sand - vermiculite).

**Keywords:** microclimate , green shanks , substrata , roots , exit of saplings , honeysuckle.

Currently Honeysuckle is known as a promising, non-traditional berry crops have: early ripening, winter hardiness and zamorozkoustoychivostyu flowers, unpretentious in the care; resistance to diseases and pests; longevity to 20 - 25 years. Honeysuckle is highly regarded for the annual fruiting, the original taste of berries, rich biochemical composition, including a high content of phosphorus-active compounds, the universal use of fruit, suitable for use in therapeutic and prophylactic purposes [1].

Honeysuckle is propagated by seeds, green and woody cuttings, burn-tal layering and division of a bush. Suckers honeysuckle does not give any in nature or in culture. Green cuttings is the most effective and the result-tion method of artificial reproduction allows honeysuckle grow in pain-Chaume number of genetically uniform planting material, in which the transmitted varietal characteristics. In our country experiments on rooting green cuttings under artificial fog were held in 1959 in the TAA, in Siberia - in 1962 in the Altai and in our Omsk Region - 1975 in OmSKHI (OmGAU) [1,3,4].

**Objective:** to study the influence of the substrate on the growth and reproduction of honeysuckle green cuttings and identify the most effective and cheap substrate in conditions of artificial fog.

**Research objectives:** - Identify the impact of climate and substrates on translational regenerative processes in green honeysuckle cuttings in mobile greenhouses with artificial fog;

**Methodology experience:** Experiments on the effect of high-quality features and sub-strata in the process of rooting green cuttings were carried out in triplicate for 50 cuttings. Cuttings carried out in 2014 g.- 9 June in 2015 - on 15 June. Green cuttings before planting were treated for 16 hours with an aqueous solution of b-IBA acid (50mg / l). The scheme of planting green cuttings 7x4 cm or 357 pcs. / Sq.m. The cuttings were planted in the substrates: peat, sand (1: 1) (a), sand, vermiculite (1: 1), sand. Every 5 days after planting was carried out monitoring of the formation of callus and roots by prodergivaniya return to the place. Repeated experiments 3-fold. 9<sup>00</sup>, 15<sup>00</sup>, 21<sup>00</sup> hours measured temperature and relative humidity of the air aspiration psychrometer, temperature of the substrate - soil thermometer. Just performed accounting of annual, biennial and overwintered plants.

**Objects of research:** Quality of honeysuckle - Kamchadalka. Average height, poluras-Kidist bush with shoots light green. Berries are large (0.8 oz.), elongated almost black, with a touch of blue, sweet and sour, very good taste with the aroma. Late ripening. Winter-hardy, resistant to pests and diseases. Mature fruits are not crumble, peel the fruit is difficult. The average yield is 31 quintals / ha. Bush conical shape, up to 1.5 m tall. High-yielding varieties of Siberian breeding (SRI MA Lisavenko gardening Siberia them., Barnaul), selected from Kamchatka's population [2].

To determine the optimal conditions for rooting green cuttings us the following components for the preparation of substrates were chosen:

-sand – is widely available and inexpensive materials, components with very high thermal conductivity, low moisture capacity and porosity, good water and breathable, relatively sterile, usually has a slightly alkaline or neutral reaction ;

-peat – substrate with sufficient density, high porosity and you sokoy-moisture capacity (85-90%) consists of partially decomposed plant residues-ing and their degradation products.

-vermikulite – a mineral formed under hydrolyzing mica. This substrate with high water-holding capacity, water capacity and sufficient density. It contains significant reserves Si, Mg, Al, Ca, Fe, and other micronutrients [3,4].

**Research results:** In our experiments, the humidity and the substrate in the heat-face during the rooting of cuttings depended on the work of installation of artificial fog-on, the air temperature in the open ground, the frequency of windings; during zakaliva-tion (late August - September) - held by irrigation, as well as the humidity in the open field. At the initial stage of rooting (10 - 15 days after planting) plays a significant role substrate temperature, which depends on the air temperature. In 2014, in the first 5 days after planting, it was + 28.6°S, in the same period of 2015 + 29.5°S. On the 10th day after planting, when planted cuttings are most intensely rooting internal processes, the substrate temperature was 2014 + godu 25,2°S that 3,9°S lower compared to the 2015 year. In 2014 - 2015, involving the air humidity in the greenhouse during the rooting (20 - 25 days after planting) is in the range 91 - 97%. In general climate in 2014 and 2015 it was favorable for rooting cuttings.

In the process of rooting cuttings to a great extent influenced by the air temperature and substrate. Observations on the formation of callus in the varieties of honeysuckle showed that the visible manifestations of the formation of callus in cuttings honeysuckle on all substrates during the study were observed. Regeneration processes in this culture of the early-lis with longitudinal cracking bark, roots from which emerged later.

The microclimate conditions in 2014 on the substrate peat + sand roots began to emerge subsequent to the 10th day after planting. Slower other rooting process occurred on the substrate sand for 15 days. It amounted to 33.3%. In 2015, at the high temperatures of the substrate during the rooting it was the most short on sand substrates (26.5-30.7°S) and sand + peat (27.8-32.2°S) - 20 days, on the substrate sand + vermiculite (25.5-28.7°S) root-formation was delayed up to 30 days. On all substrates rooting period in 2014 and 2015 amounted to about 30 days. By the fall is not all rooted cuttings are stored, in this annual plant output was below the rooting percent (Table 1).

As can be seen from Table 1, the highest yield of annual plants in the substrate sand was 93.2% in 2014, the lowest on the substrate (sand + vermiculite) 89.2%, and the waste was from 6.8 to 10.8%, respectively . In 2015, the high substrate temperature (-29.5 to 30.7°S ) influenced the decrease in the number of rooted cuttings up to 80% (sand) and 90% (sand + vermiculite) and the output of annual plants and 40 (sand) and 56% ( ne-juice + vermiculite). At the same time waste while rooting ranged from 33.7-52.0% due to the decay of the cuttings with an increase in air temperature, substrate and relative humidity (Table 1).

Table 1

Yield of annual and biennial plants from green cuttings honeysuckle varieties Kamchadalka, a percentage of the planted in 2014, 2015.

Substratum	The number of rooted cuttings, %	Annuals, %		Biennial plants		
		Exit	departure at rooting cuttings	Exit		Departure for growing, %
				%	pcs. / m <sup>2</sup>	
experience tab 2014						
Песок	100.0	93.2	6.8	71.7	264	22.1
Песок+торф (κ)	100.0	90.4	9.6	51.3	183	48.7
Песок +вермикулит	100.0	89.2	10.8	83.9	299	5.3
experience tab 2015						
Sand	80.0	40.0	40.0			
Sand + peat (κ)	100.0	48.0	52.0			
Sand + vermiculite	90.0	56.3	33.7			
On average. for two years						
Sand	90.0	66.6	23.4	71.7	264	22.1
Sand + peat (κ)	100.0	69.2	30.8	51.3	183	48.7
Sand + vermiculite	95.0	72.8	22.2	83.9	299	5.3
HCP <sub>05</sub>		8.9		14.6		

On average for the number of years of research rooted cuttings ranged from 90-100%. the yield of annual plants from 66.6% (sand) to 72.8% (sand + vermiculite), which is within the experimental error. For

growing cuttings left on the ground rooting for another year. Take into account the fall of the output of two-year plant with the largest output in 2014 was observed in the substrate sand + vermiculite 83.9% (299 pcs. / m<sup>2</sup>). In the control (peat+ juice) observed a lower yield of biennial plants 51.3% (183 pcs. / m<sup>2</sup>) and NAI-more waste when grown 48.7%, due to high moisture capacity of peat and low substrate temperature. Out of biennial plants in laying the experience in 2015 will be taken into account in the autumn of 2016 yield of standard seedlings was about 60% in 2015. Thus, by selection of the substrate can increase the output of honeysuckle seedlings to an average of 264 - 299 pcs. / m<sup>2</sup> (see Table 1).

**Conclusions:** For the rooting of cuttings of green honeysuckle favorable climate conditions are at moderate temperatures of the substrate in the first days after the in cages (to 26.6°S) above air temperature by 2.0 - 2.2°S and relative humidity - 91 - 97%.

The appearance of roots in cuttings of green honeysuckle notes on the 10th day after planting, rooting process ends in a climate in 2014 - 2015 in 20-30 days after planting. Rooting rate of cuttings in green honeysuckle vary depending on the substrate and on the year of studies.

The most favorable for rooting green cuttings are substrata: sand, sand + vermiculite, peat and sand, in which rooting is from 90 to 100%, the yield of biennial seedlings range from 264. 299 and 183 units / m<sup>2</sup>. respectively. but..

### **Bibliography:**

1. Gidzyuk. IK Sineplodnaya garden honeysuckle / IK Gidzyuk. -Tomsk. 1978. - 162 p. 2.Sortoved.ru [electronic resource]. Access .: <http://sortoved.ru/zhimolost/sort-zhimolosti-kamchadalka.html>
3. Suchocka. SG Reproduction of softwood cuttings of fruit crops in West Sibi-ri: Lecture / SG Suchocka - Omsk. 1990. - 24 p.
4. Tarasenko. TM Green cuttings horticultural and forest crops / TM Tarasenko. - M .: Publishing House of the ICCA. 1991. - 272 p.



# SOURCES OF FINANCIAL RESOURCES FOR AGROBUSINESS

**Ilya Tarasov E.**

Student 2nd year Law

Achinsk branch of the Krasnoyarsk State Agrarian University  
Russia, the city of Achinsk

**Chukanova Kseniya Vitalevna**

2nd year student of Law

Achinsk Branch of State Agrarian University  
Russia, the city of Achinsk

**Arnautova Ekaterina**

scientific adviser

Art. Lecturer, Department of Land and land rights  
Achinsk branch of the Krasnoyarsk State Agrarian University  
Russia, the city of Achinsk

**Key words:** agrobusiness, financial resources, state insurance, taxation, tax privileges, land reform.

**Abstract:** the article considers possibility for replenishing financial resources for agrobusiness at the expense of the markets of state insurance for crops, the earth, long-term credits and rent, preferential taxation etc. The need for state intervention in the sphere of agrarian economics is proven with a view of effective work of agrobusiness.

Agrobiznes- sector of the market economy, the associated process of agricultural production, storage, distribution and handling of its products. Vstruktornom against agribusiness basically equivalent to the agro-industrial complex.

Financial resources in the agricultural sector formed by the agricultural and non-agricultural activities and are the basis for the well-being and social and economic life of any subject, be it an individual, a family, a team, or society as a whole. Historical experience shows that when all of this state is the guarantor of stability in all areas of human activity.

Agricultural insurance with state support has a number of significant shortcomings that impedes the development of insurance business in the country. So, imperfection of the existing regulatory framework leads to various abuses in obtaining grants. Under the current agribusiness insurance system for damages must pay the insurance premium in the amount of 100%. However, compensation for half the prize, according to the old law, agricultural producers should receive only 3-6 months. It places a heavy burden on the financial condition of agricultural producers during the period of seasonal work.[3]

It must be said that insurance payments are required to cover the cost of the insurance indemnity, the cost of doing business and generate profit insurer. Thus, insurance premiums and compensations balance provides growers a high rate of return. This provides, as before, 50% state participation in insurance premiums. New is that if earlier the policyholder fully paid for an insurance policy, and then received compensation in the amount of 50% of the insurance premium, with the adoption of the new law it will directly pay only 50% of the fee, and the remaining 50% to the account of the insurance company to pay the authorized organ. There is no provision for compulsory insurance for agricultural producers to receive state support in the form of grants and other financial assistance. It is also the position of innovation that the insured event occurs when killed 40% of the crop. This law is aimed at protecting the interests of agricultural producers, as well as removal from the market of agricultural insurance fraud insurance companies.[2]

Due to the weak development of the agricultural insurance market in agricultural settlements have limited financial resources. To compensate for damages from natural disasters, rural settlements have to ask for help from higher authorities. As you know, own revenues of more than half of the municipalities do not exceed 30% in the structure of their budget. According to statistics from 2010, in 8009 out of 18954 rural settlements of their own income ranged from 10 to 30% of budget revenues, in 3150 - less than 10%. quality exercise their authority very difficult With these resources, if not impossible. Therefore, the majority of rural administrations forced to transfer to the district level the functions that they are unable to fulfill themselves. This includes questions covering losses caused by natural elements, as well as land-use permit for the construction of protected areas and other problems that should be solved at the level of local

government, which is close to the villagers. In this situation, to resolve the problem, in our opinion, it is necessary to build a well-worn on the financing of the scheme: region, district and village. It should be specific criteria for financial assistance to agriculture.[4]

In the absence of financial assistance at the district level, as well as rural settlement must be provided to a significant portion of the proceeds from the tax on personal income remained on the ground. Of course, this question is complex, but the situation requires that municipalities are moving in this direction. Thus, according to the government's decision on the level of municipal districts transferred the bulk of financial revenues from patents to individual entrepreneurs. In turn, the municipal districts must transfer deductions from this income in favor of the settlements.

An essential complement to finance agro-business is an extension of tax incentives for agricultural producers. Extending benefits to the zero income tax, as well as the extension of privileges for the release of agricultural producers from the payment of VAT on importation of productive, breeding stock will be carried out until 2020. All these measures will further increase the financial resources of economic entities.

Assist in the completion of financial resources in the rural areas is the implementation of the special federal program for beginning farmers in 2012 in accordance with the specified program for everyone who wants to start a business in rural areas will have the opportunity to receive a grant from the state to establish its own economy and favorable investment loan, as well as one-time assistance for home appliance. In addition, the financial framework for the implementation of the development of family farming programs will be expanded. Extensive development will also receive agricultural and consumer cooperatives, enterprise network storage, processing and sales.[2]

Actively should involve all regions to strengthen the financial position of the country's agribusiness areas and business entities themselves. Because of their budgets they have to co-finance joint projects aimed at the modernization of the agrarian economy.

A significant source of growth in financial resources is land reform. A new stage of large-scale land reform began with the July 1, 2011 The purpose of its citizens are becoming full-fledged masters of their land and that they receive and rural settlements the right to dispose of land and additional income. To do this, the country changed the law on turnover of agricultural land. In accordance with it simplifies the process of registration of land shares borders and settlements authorities should help citizens to secure for them the right to land ownership.[3]

It must be said about the citizens who have three or more minor children, who have the right to receive free of charge to the ownership of land without a tender and without bidding. This also applies to federal lands, which the state will transfer to municipalities for these purposes.

Everything that is done in the agricultural sector, is subject to one major goal: the village has to be self-sufficient, attractive and comfortable. At the All-Russian agrarian forum (March, 2012), which brought together the heads of a number of regions, heads of agricultural agencies and scientists, Russian President VV Putin assured the villagers that support the agricultural sector in financial terms will continue. In 2012, the development of agriculture in the federal budget laid down 170 billion rubles. In addition, the largest banks with state participation (Sberbank and Rosselkhozbank) will provide more loans in the amount of not less than 150 billion rubles. The funding of the federal target program "Social development of village" in 2012 will be increased to 4.5 billion rubles. 7 billion, while in 2013 this figure is projected to reach 9 billion rubles. [1]

Thus, the development of the domestic agribusiness becomes an objective factor of financial and economic stability of the Russian economy as a whole, improving the lives and welfare of millions of people.

#### **Literature:**

1. Introduction V. Putin at the plenary session of the II National Forum of Rural Settlements [Electronic resource] // Chairman of the Russian Government website. URL: <http://premier.gov.ru/events/news/15547/>.
2. Kuznetsova EG Forms of management in the food security of the country. Cheboksary: Perfectum, 2011. P. 41-50.
3. Agriculture Chuvash Republic 2011: The stat. Sat. / Chuvashstat. Cheboksary, 2011. 110 p.
4. Fisher OV The modern concept of state regulation of social and economic development - harmonization of tax functions // Kazan science. 2012. № 1. S. 151-154.

# A METHOD FOR REMOVING SAND FROM NETS IN CATTLE

**Cihan TTyulyu je**

3 course Agricultural Institute  
Ankara University

**Abstract:** The removal of sand from the retina of cattle is of great importance for the health and quality of livestock. It is important to remove the sand during their retina.

**Starting the words:** large foreign objects, mesh, cattle, rumenotomiya.

When rumenotomii - opening the rumen in cattle in addition to the typical grid foreign bodies - nails, pieces of wire, glass, ropes often in old animals show a sand geosediment [1, 3, 4, 5, 6]. Last necessarily be removed, as in the future the patient may penetrate WHO complications, bedsores, ulcers, necrosis of the mucous membrane and the mesh, as a consequence, the violation Moto Rica and evacuation function of the proventriculus, which poses a threat to the health and life of the animal. However, during this manipulation arise known technical difficulties associated with the fact that removing the sand with one hand is very inconvenient, and part of it still remains in the grid. This means that in the distant period after surgery is not excluded a relapse of the disease, and the animal will need to re-hirurgich-mechanical interference.

In his clinical work at the opening of the rumen of cattle (for various reasons) is in mesh sand does not remove his hand and plasticine (certificate number 12 on the efficiency suggestion you-this Miron NI Gorno-Altai State University 19.04.1997 Mr. ). To do this, take the kids plasticine-sky, warmed to 25-30oC temperature and rolled up into a ball the size of 10 x 10 cm.

Equipment removal of sand from the grid. The patient is fixed in an upright position. After wiring abdominal anesthesia Bashkirov do laparotomy for Magda - . Parakostalny length 18-20 cm incision scar fixation is carried out by the method of Miron [5].

Then, in the cavity of the grid are introduced first hand and extract large foreign bodies. To remove sand plasticine ball repeatedly pressed against the mucosa of the bottom grid, whereby the sand is completely immersed in clay.

Finally, check the oesophageal palpation chute entrance to the book and the scar - whether there inorod-governmental bodies. Then sew up the scar sero-muscular sutures - "Christmas tree" and Plakhotina, and slit-term bryush wall impose continuous seams on Reverdenu: the first on the peritoneum, the transverse fascia and the muscle-pepper, the second - on the oblique abdominal muscles. Knotted suture connects the skin with a hypodermic klet-Kamchatka and the surface of the abdominal fascia. Postoperative treatment is symptomatic. Sutures are removed after two weeks.

Removal of sand from the grid when rumenotomii using plasticine conducted at 2 and 8 bulls cow s-Talskaya and black-motley breeds, aged from 5 to 10 years. No complications were observed. wound healing occurs per primam intentionem. In all cases recovered.

We believe that the removal of sand from the grid at the opening of the rumen of cattle with the help of Plast-ling is very simple, safe and effective. We hope that the proposed innovation will not remain without attention of veterinary surgeons working in a production environment.

## **References:**

1. H. H. Haaff . Dehorning cattle, castration of bulls, cattle sheds, 56

# PROJECT BESSOSHNIKOVOY PLANTER FOR FOREST NURSERIES TO A TRACTOR T-25A

**Julia V. Frantsuzenko**

4th year student of the institute of land management, cadasters and environmental engineering  
Krasnoyarsk State Agrarian University  
Russia, the city of Krasnoyarsk

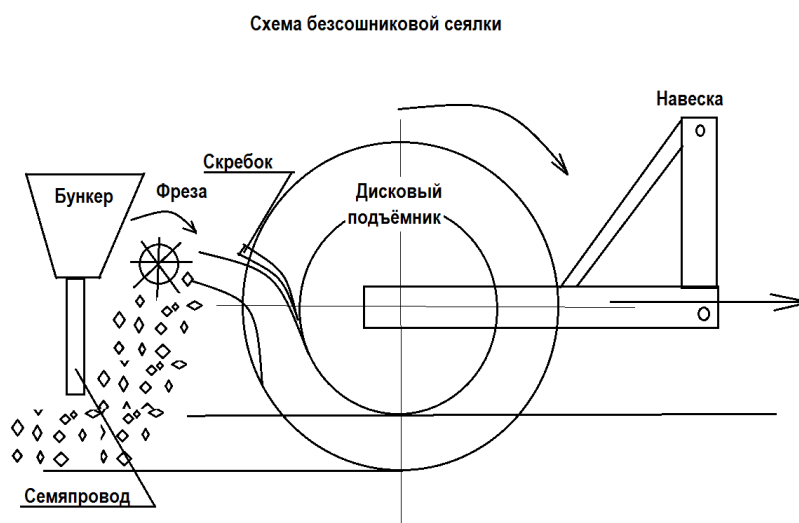
**Sergey N. Orlovskiy**

Research supervisor  
Cand. of Tech.Sci., associate professor of the department of Life safety  
Krasnoyarsk State Agrarian University  
Russia, the city of Krasnoyarsk

**Abstract:** All kinds of tillage are built on the principle of undercutting and lifting it with a wedge. It is the most simple form of a working body for the formation of soil separation from bed in the extraction, as it is made using the same time clipping, chipping and lifting formation. But there are other possible solutions to this problem, a more appropriate nature of the soil, as the material for processing.

**Keywords:** drill, disks break, soil wedge gun.

The process of soil recovery discs is divorced and raising soil, clamped between two discs, which cut the soil (Figure 1).



**Figure 1- Scheme drills**

Wheels sit on a common shaft at a certain distance of each other and are driven by the PTO of the tractor. disk translational movement occurs so that the center of each disc velocity vector lies in its plane. Thus, the rotational movement of wheels soil cut along planes perpendicular to its surface. Soil, sandwiched between the discs, torn up and is interested in where the scraper is removed outside the drive. Thus the particles of soil located at the periphery of the disc will not deform, and other particles will be exposed to the greater the compression the closer they are to the outer surface of the soil. If we take the radius  $R1$  of the leading wheels of the tractor, the gear ratio  $n1$  transmission, it is necessary to transfer the number  $n$  of the tractor engine to disks expressed by the formula:

The aim of this work is to create tools, in which the process of soil treatment process instead of cutting replaced separation layer, which reduces the power consumption of 4 - 6 times. The particles of soil, squeezed between the disks, creating thanks to its array of additional time, inhibiting their rotation and leads to additional consumption of power to drive tools. Power costs climb to the height of the soil scraper arrangement is determined by the expression

$$N_I = (\gamma \cdot h \cdot n \cdot a) \cdot H \cdot V, \quad (1)$$

where  $V$  - speed, m / s;  $\gamma$  - Specific weight of soil;  $h$  - depth of cut;  $a$  - the width of cut.

Full power expended disc lift, consists of three elements:

- the power expended on the rise of the soil;
- The power consumed when gripping discs of soil;
- The power to remove the soil from the drive.

Calculation of the power costs for crushing the soil at a predetermined chopper gun moving speed of 1.3 m / s, at the ends of the cutter blades diameter of 250 mm and a free character cutting Browse minimum energy consumption made by elements of the process. The purpose of calculation - determining the optimum cutting conditions and the geometry of the cutting tools at the design stage of analytical methods and the design on the basis of the working body of data.

The balance of the costs of specific work on the fragmentation of the soil layer cutter is determined by the expression:

$$e_{\Sigma} = e_{\text{ynp}\Sigma} + e_{\lambda_2} + e_{\text{om}\hat{\sigma}p} + e_{mp}, \quad (2)$$

where  $e_2$  - work to overcome the resistance of the elastic forces of cutting soil, J / m<sup>3</sup>;

$e_{\lambda_2}$  - work on overcoming resistance viscoplastic flow of cut product, J / m<sup>3</sup>;

$e_{\text{om}\hat{\sigma}p}$  - work on the kinetic energy of Post products cutting, J / m<sup>3</sup>;

$e_{mp}$  - work to overcome friction in the working body of the drive transmission implements, J / m<sup>3</sup>.

Calculations are performed in the computer program «Freza\_n» [1]. Cutters Performance Soil crushing is determined by the expression

$$P = V \times B \times H \quad (3)$$

Hence, the power costs drive a cutter section make

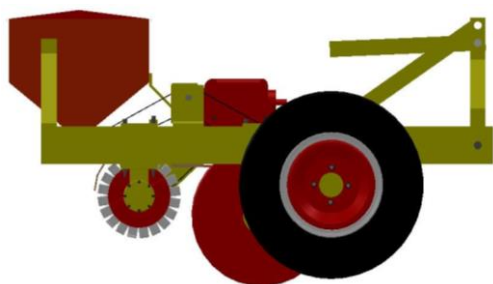
$$N = P \cdot E = 0.04005 \cdot 10533 = 421,847 \text{ watts}$$

The cutter is made up of 10 sections, the overall cost of power to drive it will make  $421,847 \cdot 10 = 4218.47 \text{ W}$  or 4.22 kW.

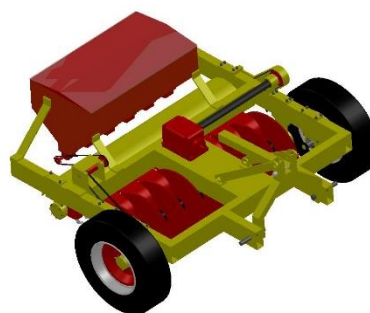
For the project of the unit with active working bodies working on the PTO shaft as well as the implementation of the draft resistance tools engine load is 0.8.

The planned drill consists of consists of a frame on which are mounted support wheels, gearbox, disc lift, scrapers, rotary grinder and hopper for seed sowing apparatus. Drive gearbox PTO (PTO) of the tractor. From him the rotation is transmitted to the chain transmission disk lifts and rotary chopper. Linear speed drives edges corresponds to the speed of movement of the

tractor on the first transfer of 1.78 m / s. Cutting speed grinder 4 m / s. Drive seed hopper device - right from the wheels through a chain of transmission. General view of the drills - Figure 2.



A - Drill Side view



B - close-up view

**Figure 2 - Total view drills**

The frame is made from rectangular tube, to her spherical bearings mounted disk lift and rotary shredder, construction of which is shown in the figure. Hubs kolēs- on double ball bearing. Regulation mezhryadnogo planting distance and depth - change seed hoses on the boom position. Step changes planting replacement asterisks on the intermediate shaft.

To work on the cultivation of the rotor is turned off when running on third gear to ensure equal speeds with a tractor on the disks of the drive sprocket is changed to increase from 14 teeth.

Technical - economic calculation showed the feasibility of the planned drill. The cost of its operation compared with the drill "Lithuania-25" on the NL-16 and cultivator KPN-4 on the T-40 has decreased by increasing the load, lower the cost of depreciation and maintenance, lower fuel consumption. Reduced unit costs of operation of the unit makes it possible to get the cost savings of 23 thousand. Rub. in year. The payback period of the project implements 4 years.

#### **Bibliographic list:**

1. "Calculation of energy consumption cut forest soil with litter end mills and cutting power costs and the implementation process." Certificate of official registration of the computer number 2007610363, Application № 2006613951. Registered in Computer Program Register on 19.01 2007. The authors - Orlovsky SN Komissarov SV Karnaukhov AI
2. Orlovsky SN Glavatsky GD Markov VA Disk tool for laying furrows. Certificate for utility model number 25171 MKI A62S 3/02 BE 2002 № 26
3. AE Lukyanov, Pokamestov MV Determination of power on a continuous milling peat deposits // Peat industry 1964, number 6. S. 6 - 8.
4. Orlovsky SN Improved schelereznyh tractor units justification dynamic parameters / Diss. cand. tehn. Sciences. Krasnoyarsk, SibGTU, 2000, 155 p.

# TOOLS FOR SHAKING OFF CEDAR CONES

**Julia V. Frantsuzenko**

4th year student of the institute of land management, cadasters and environmental engineering  
Krasnoyarsk State Agrarian University  
Russia, the city of Krasnoyarsk

**Sergey N. Orlovskiy**

Research supervisor

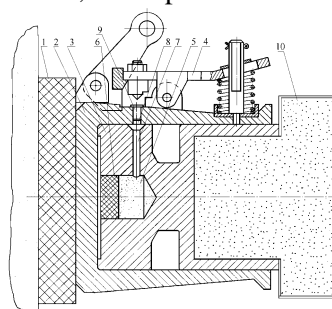
Cand. of Tech.Sci., associate professor of the department of Life safety  
Krasnoyarsk State Agrarian University  
Russia, the city of Krasnoyarsk

**Abstract:** Pine cones are collected, or climbing a tree or hitting his trunk chock on the poles, so-called "splitwood" When you hit the trunk bark is damaged, the tree dries up or is ill. When climbing a tree are frequent cases of injuries and deaths. It is necessary to develop a device that would preclude such negative factors ensuring high productivity.

**Keywords:** The cedar, pine cones, an instrument, a piston, a cylinder, a shock absorber.

The device is similar to my design smoothbore gun. The device shown in Figure 1, consists of a shock absorber is equipped with 1 barrel 2, a piston 3, and the shock - the trigger 4. The internal cavity of the piston chamber is made to place a prisoner in a plastic bag powder charge 5 and 6 of the wad, which is connected to the radial port 7 ignition in the piston with the cylinder hole 8, which is embedded in the cap 9. in the outside, in relation to the charge, the piston cavity can be installed additional load weighing 10 to 15 kg (eg - sand).

The device operates as follows. The operator came to the place of collection of nuts, if necessary, into the cavity of the piston 11 establishes the additional load of 12 (filled ground). Further, the chamber 5 is laid a charge of powder corresponding to the diameter of the tree mass and wad, and ignition vent - cap. The cylinder is attached to a pole a certain length, it is inserted into the piston and a platoon of shock - the trigger. After securing pole against a tree trunk quick-coupler operator spreads the canopy to collect cones off the opposite side of the tree and pulls the trigger cord. Striker shock - the trigger mechanism for the action of the spring strikes the primer, the flame through the holes 9 and 8 burns packaging powder charge and ignites it. The piston is under the influence of powder gases emitted from the cylinder, and the latter conveys the energy of a tree trunk shot through eliminating damaging shock. Shaking the tree trunk is passed to the crown that are in it cones falling on the canopy. In the practical work of a decrease range piston flight up to 3 - 5 m achieved accession, brake parachute.



1 damper, 2 cylinder, 3 - piston 4 - shock - trigger 5 - charge, 6 - wad, 7 - radial bore in the piston 8 - the ignition hole 9 - cap, 10 - additional load.

Figure 1 - Device for otryahivaniya pine cones



Figure 2 - Operating time of the test otryahivatelya

Time  $t_1$  movement of the piston in the cylinder, with  $S_1$  equal to the ratio of the cylinder length  $m$  (see. Figure 1) to the average velocity of the piston within the cylinder  $V_{av}$  m/s.

$$t_1 = \frac{S_1}{V_{cp}}. \quad (1)$$

$$\text{Acceleration of the piston in the cylinder when firing } a = \frac{V_{cp}}{t_1}, \quad (2)$$

The  $F$  shock pulse, transmitted by the trunk of the tree, is determined from the expression

$$F \cdot \Delta t = m \cdot \Delta V, \text{ then } F = \frac{m \cdot \Delta V}{\Delta t} = m \cdot a \quad (3)$$

where  $m$ , the mass of the piston, N.

$$\text{Power } N, \text{ kW developed by the shot [3]} \quad N = \frac{A}{t_1}, \quad (4)$$

where  $A$  - work with the shot, kJ, which is determined by the formula  $A = F \cdot S_1$

Knowing the value of shock pulse, the amplitude of oscillation of the barrel and the pulse action, as well as a lot of bumps and its adhesion force with the crown of the tree, you can define the required separation for its acceleration in zone otryahivatelya.

In all cases, the increase in mass of the piston causes an increase in the duration of the shock pulse and, accordingly, the amplitude of oscillation and the magnitude of the acceleration zone in the top of the tree, which increases the quality of the executed process. The oscillation amplitude also increases with the height of the pulse point of application, but the practical implementation of this is due to certain technical difficulties.

The use of guns for axed pine cones instead of the vibrator on the tractor MTZ-80 reduces the cost of works and eliminate violations of forest ecology from the tractor movement and stands damaged. Also, the use of tools eliminates mechanical damage to trunks of growing trees, resulting from the use of traditional ramble devices.

#### **Bibliography:**

1. S. Orlovsky, SA Komissarov SV Method of calculation equipment otryahivaniya cones with pine trees forest exploitation. Interuniversity collection of scientific papers. Vol. 5 SibGTU, Krasnoyarsk, 2004. s.165-173.
2. Orlovsky SN, Kornienko VV Rozanov TS, Astapenko SA Device for otryahivaniya cones from conifers. Forest and chemical complex-problem and solutions. Reports of the All-Russian NPK 12-14 May 2004 Volume 1 Krasnoyarsk, SibGTU, 2004, p. 160-167.
3. Lavrov IA Resistance cones of pine, spruce and larch breakdown. Research and perfection lesotransportnyh machines. Vol. 125. L.: LTA, 1970. S. 128 - 131.
4. Vibration technique: Guide in 6 volumes, ed. Frolov KV Tom M.: 6. Mash. 1995. 456 p.



# INSTRUMENT FOR LAYING FOAM SUPPORT STRIPS FOR FOREST FIRE EXTINGUISHING

**Julia V. Frantsuzenko**

4th year student of the institute of land management, cadasters and environmental engineering  
Krasnoyarsk State Agrarian University  
Russia, the city of Krasnoyarsk

**Sergey N. Orlovskiy**

Research supervisor

Cand. of Tech.Sci., associate professor of the department of Life safety  
Krasnoyarsk State Agrarian University  
Russia, the city of Krasnoyarsk

**Abstract:** The work is devoted to the problem of extinguishing grassroots wildfires by means of churning the flames with foam. The project developed by the authors decreases water consumption and the time required for its delivery. The topicality of the research and project as a whole, in the authors' opinion, is due to the usage of a compact motorized tool for the production and supply of foam to the burning edge instead of the application of knapsack forest sprayers, which will make it possible to lower the consumption of water by 30–50 times and decrease the laborinput associated with its delivery, thus increasing labor effectiveness. The study substantiates the design of the tool for laying foam backing strips aimed at backfiring and extinguishing low-intensity forest fires with the help of foam. The work suggests controlling forest fires by means of using tools based on chainsaws and motorized sprayers for churning the flames of a low-intensity grassroot wildfire with a high-speed air blast and laying foam backing strips.

**Keywords:** tool, forest fire, flames, foam of backing strips, air blower, backfire.

In order to combat forest fires use motorized tools on the basis of flame to shoot down a jet of air and foam gasket supporting strips. They allow you to quickly come to the fire burning. Institute VNIIPOMleskhoz been developed and put into production forest fire blowers, portable VLP-2.5 and VLP-20 on the basis of chain saws "Taiga-245» and «Shtil - 036".

One way to use them has been the use of blowers on the strip of foam in the manufacture of the supporting strips annealing.

A disadvantage of existing blower that when the foam generator with air flow moving at a speed of 105 m / s air flow 0.26 m<sup>3</sup> / foam tear with the grid. Reduce the decline in its fan speed can not be due to the speed of the design features of the centrifugal clutch. For operation of the nozzle orifice plate is inserted with a hole diameter of 15 mm, and the engine power is used by 10-15 percent. The problem can be solved by using as a source of airflow at the small-sized fan power. This reduces the mass of the gun and its size, fuel consumption, facilitated the work of the operator.

It is proposed instead of the blower VLP-20 capacity of 3.6 kW blower used Stihl SH-56 (blowing off the vacuum cleaner) with a capacity of 0.7 kW and a weight of 5.3 kg with foam generator from a blower VLP-20. Water with pennoobrazovatelem must be fed from SART behind the operator through a hose to the grid foam generator, where foaming occurs. If that - as productivity tools weight will be reduced from 10-15 kg and 5.5 kg, respectively, reduced fuel consumption and facilitate the work of forest fire.

Application design tools laying on the supporting strips in extinguishing large forest fires of high intensity will reduce the arrival timing to the fire burning, increase productivity, and thereby to reduce the area of forest burnt. The width of the strip should be burnt to ground fire is up to 10 meters and at least 200 meters - before the front fugitive crown fires. (See. Figure).

Productivity of forest fire with the project instrument to support the laying of the strip of foam is 3 km / h, the flow rate of foaming of 120 dm<sup>3</sup> / km.

Draw a comparative calculation of use in putting out a forest fire design tools (A) and a bulldozer on the



T-170 tractor (B) for the construction of the barrier as described in [4].

Background: Technical means of extinguishing the variants: A - fire service 8 people working on the car UAZ-3303 with the design tools (2 pieces), RLS and incendiary devices. B - bulldozer T-170 tractor and working on the car ZIL - 131. Calculation is carried out according to formulas [4]. Time of arrival to the site of a forest fire  $T_A = 4.5$  h,  $T_B = 1$  h. Areas  $S_A$  Fire and  $S_b$  at 60 and 2.9 hectares. Fire localization time and ashes  $T_{IB}$  versions 0.46 and 10.54 hours. Common area burned  $S_{\Sigma A}$  93.72 and 5.85 hectares. The value of avoided damage 356 thousand. Rubles, the cost of extinguishing  $FOR = 39016$  rbl.,  $ST = 3781$  rubles. The amount of oxygen stored  $NO_2 = 1635$  m. Reduction in emissions of carbon dioxide, 659 tons. In this case, the figure of damage, which we avoid.

Figure-annealing of the foam backing strip

#### **Bibliography:**

1. Glavatsky G. D. Issledovanie ognetushashchey sposobnosti malogabaritnykh lesopozharnykh vozdukhoduvok [Study of the fire extinguishing capacity of compact forest fire air blowers]. Profilaktika i tushenie lesnykh pozharov –Preventing and extinguishing forest fires. Krasnoyarsk, 1998. Pp. 128–140.
2. Lorberbaum V. G., Smirnova K. V. Primenenie vysokokratnoy peny pri bor'be s lesnymi pozharami. Metodicheskie ukazaniya [Usage of high-expansion foam in controlling forest fires. Methodological guidelines]. Leningrad, 1975. 15 p.
3. Tikhomirov V. K. Peny. Teoriya i praktika ikh polucheniya i razrusheniya [Foams. Theory and practice of their production and destruction]. Moscow, 1983. 263 p.
4. Orlovsky S. N. Tekhnologiya i mekhanizatsiya tusheniya lesnykh, stepnykh i torfyanykh pozharov: metodicheskie ukazaniya [Technology and mechanization of extinguishing forest, steppe and peat fires: methodological guidelines]. Krasnoyarsk, 2014. 92 p.

## *Section №6*

# Actual problems of the modern Russian law and legislation

### CRIME AS A SOCIAL PROBLEM

**Aull Natalia**

3rd year student Jurisprudence

Achinsk branch of the Krasnoyarsk State Agrarian University of Russia, the city of Achinsk.

**Teplyashin Pavel**

Supervisor - Ph.D. Associate Professor of Criminal Law and Criminology

Achinsk branch of the Krasnoyarsk State Agrarian University

Russia, the city of Achinsk

**Abstract:** In this article will narrate about the phenomenon as a crime in today's society.

**Tags:** Crime, modern society

Crime - is one of the complex social phenomena, which is characterized by massive criminal behavior of society. CRIME (crime) - a phenomenon of deviant behavior that represents a high risk to people around the intruder and therefore punishable by law [1]. To a large extent, linked to crime criminology discipline, that it examines crime, types of crime, crime; their causes, other types of their relationships with a variety of phenomena and processes; the effectiveness of measures taken to combat crime. On the basis of criminologists  $\epsilon\tau\omicron\upsilon$  develop recommendations for improving the fight against crime.

The society of crime have a similar trait that characterizes them as a living mechanism - it is constantly changeable phenomenon. Developing society, changing people's habits and at the same time developing crime. Experience shows that people commit crimes from the very first development of humanity and continue to commit, not far from the unit and the most dangerous. Some of them did not  $\epsilon\tau\omicron$  once. I only punishment and offense at the same time the category of criminal offense shall be presumed, in the other periods permitted the commission of certain crimes. For example, it was forbidden to kill  $\zeta\upsilon\beta\omicron\delta\omicron\nu\gamma\omicron$  citizen, but not punished murder servant. In some periods prohibited abortion under pain of criminal penalties, in other  $\epsilon\tau\omicron$  considered valid [2].

Crime has always occupied one of the first places among the urgent problems disturbing the society. Always there was a question as to why a person goes on a desperate act as a crime. And why criminal path helps to solve the problems. Now experts have the answers to this question, here are: political; economic; ideological; organizational and managerial issues. Law enforcement agencies and other authorized agencies are trying to address these issues and prevent the possibility of committing a crime by taking preventive and other measures [3]. But here the question of brewing, but as society itself refers to a crime problem, and whether the company is trying, by any means to prevent criminal acts.

No sensible person will not commit, and cause any harm to other people, knowing about the "negative" consequences of their actions. To commit a crime, the offender, or does not think about the consequences of the occurrence, considering that they have it or how to not be overtaken, and no one would know what he had done, or thinks, but when committed the crime, and starts all means to hide traces of the crime. In today's society a lot of violence, but no one ever thinks that it is a person commits actions that bring harm to themselves causing negative consequences to themselves and to others, bringing sorrow and suffering.

There is a struggle against crime, law enforcement and other agencies make such actions as: operational-search measures, investigation (inquiry and preliminary investigation), justice, the implementation (execution) final judgments in criminal matters (the sentences). Close to these forms adjoin intelligence and counterintelligence, in which is possible to detect information about committed, being committed or planned to commit crimes [4]. But to join the fight should be man himself.

The question arises, what is necessary to combat crime? To toughen punishment mitigated or crime can not be reduced. Data show that people in different time periods, for something that would increase the punishment, but whether this will lead to a decrease in crime?

	2010 December	2015 March
Soften punishments	7	6
Tougher penalties	63	64
Neither one nor the other	17	20
Difficult to answer	12	11
Number	1600	800

[5]

Alexander Bastrykin, proposed to toughen the penalties for crimes against children, to March 1, 2012 came into force the Federal Law of 29.02.2012 №14-FZ "On Amendments to the Criminal Code of the Russian Federation and Certain Legislative Acts of the Russian Federation in order to strengthen accountability for crimes of a sexual nature committed against minors ", which tightened measures under criminal law for persons who have committed crimes against minors, changes in article 228.1 of the criminal Code of the Russian Federation (increased penalties for illegal production, sale or shipment of narcotic drugs), and many other changes We have to tighten punishment, but as the facts show, crime does not fall down. For example: Krasnoyarsk region:

	2011	2012	2013	2014	2015
Registered crimes	63087	58585	58832	56359	62282

[6]

The ideal state - a state without crime, and in order to achieve these objectives, the company believes that it is necessary to toughen penalties for crimes, especially for such popular as illegal acquisition, storage, transportation, manufacturing, processing of narcotic drugs, psychotropic substances or their analogues, sexual assault, sexual intercourse and other sexual acts with a person under sixteen years of age, theft, intentional infliction of grievous bodily harm. It may affect the criminals that they were afraid to apply to them the measures.

### **Bibliography:**

1. Avanesov GA textbook Criminology - Moscow: UNITY-DANA, 2012.-575 with.
  2. Burlakov VN Kropachev NM Textbook. the third generation standard. - SPb .: Peter, 2013. - 304 p.
  3. The federal law from 03.04.1995 N 40-FZ (ed. Of 12.30.2015) "On the Federal Security Service" Article 10. The fight against crime
  4. Federal law of 8.12.1995 N 144-FZ (ed. From 06.29.2015) "On operative-investigative activities" On August 12, 1995 N 144-FZ
  5. <http://www.levada.ru/cp/wp-content/uploads/2016/02/OM20151.pdf>
  6. [http://crimestat.ru/regions\\_table\\_total](http://crimestat.ru/regions_table_total)
- Переводчик Google для бизнеса –Инструменты переводчикаПереводчик сайтов

# FEATURES OF THE CRIMINAL LIABILITY OF MINORS, LAGGING BEHIND IN MENTAL DEVELOPMENT

**Baranova Mariya Sergeevna.**

student branch Achinsk, Krasnoyarsk State Agricultural University  
3 Course, Law

Russia, the city of Achinsk.

**Teplyashin Pavel Vladimirovich**

Supervisor - Ph.D. Associate Professor of Criminal Law and Criminology  
Achinsk branch of the Krasnoyarsk State Agrarian University  
Russia, the city of Achinsk

**Abstract:** This article will narrate about the features of the criminal liability of minors, lagging in mental development.

**Tags:** minor, lagging in mental development, criminal liability.

In the theory of criminal law there is a concept of criminal relevant mental states (English relevant - Relevant), which are defined as morbid (pathological) and unpainful (without pathological disorders) condition of the subject of the psyche, which affect the exercise of criminal responsibility, sentencing, appointment and the use of other measures under criminal law [4]. One of these states is a minor lag in mental development, committed socially dangerous acts.

In connection with the emerging issues of the courts concerning the application of legislation in criminal cases concerning minors, the Plenum of the Supreme Court adopted a resolution on 01.02.2011 number 1 "On judicial practice of application of legislation regulating features of criminal responsibility and punishment of minors".

The Plenum refers to the need to identify the circumstances related to the living conditions and upbringing of minors, their health status, as well as factors contributing to the commission of crimes.

Various reasons can cause a backlog in mental development of minors. In particular, the lag in the development directly is due to weakening of the nervous system that influenced infections, somatic diseases, brain trauma, and sometimes as a result of variations in the moral consciousness of education in adverse conditions.

The weakening of the mental development is sometimes seen in adolescents with long-term chronic disease. Conditional fatigue and relatively mild exhaustion of the nervous processes, reduction of intellectual activity, frequent in such cases, can not at certain times retard the mental development of the juvenile. It is important to add that the somatic looseness can leave a trace on the formation of the child's personality, creating conditions for the development of such symptoms as irritability, emotional instability, resentment.

Sometimes a significant gap in the mental development of the child is also observed in the psychophysical infantilism. This condition can be caused by various causes of biological and social nature. Possible forms of infantilism, when there is only lag in mental development [5].

Just cause lag in the development of children's mental condition can manifest itself and start at an early age the use of illicit substances, such as (narcotics, psychotropic).

Ongoing studies degree of mental status and other features of the personality of minors who have committed socially dangerous acts are very important. Because this is no coincidence Article 421 Code of Criminal Procedure states that the production of the preliminary investigation and the trial of the criminal case committed by a minor, sets the level of mental development of the minor.

Thus, when the lag in mental development, which is not associated with mental disorders, for which a minor could not fully determine the actual nature and social danger of his actions (inaction) or control them, it is not subject to criminal liability under h. 3 tpsp . 20 of the Criminal Code.

Court in sentencing, should take into account the degree of mental development and other features of the personality of the minor.

The level of mental development should be taken into account in deciding on the release of the minor from criminal responsibility (Art. 90 of the Criminal Code) or exemption from punishment (art. 92 of the Criminal Code) where the compulsory education measures will be applied.

In turn, in practice there are problems associated with the so-called age irresponsibility, which is in accordance with the h. 3 tbsp. 20 of the Criminal Code is the basis for the release of the minor from criminal liability.

Criminal proceedings may be involved persons who have attained the age of sixteen at the time the crime was committed (Art. 1, Art. 20 of the Criminal Code). Children who have reached the age of fourteen years shall be subject to criminal liability for the offenses set forth in Part. 2 tbsp. 20 of the Criminal Code, such as (a few examples):

- murder (Article 105);
- intentional infliction of grievous bodily harm (Article 111);
- sexual assault (Article 132);
- an act of terrorism (Article 205) .:

In other matters teenagers of the same age can largely differ from each other in the state of mental and cognitive activity, of emotional and volitional, the amount of knowledge and understanding, and so on.

D. In view of this should be borne in mind not only the passport, but also the psychological age of the minor, which refers to the chronological age, a typical feature of which corresponds to the level of mental (mental, emotional, volitional, and so on. n.) development made a minor.

Part 3 of Art. 20 of the Criminal Code eliminates the criminal juvenile responsibility, whose age reaches of criminal responsibility, but due to the lag in mental development, is not associated with a mental disorder at the time of committing a socially dangerous act, could not be fully aware of the actual nature and social danger of his actions (inaction) or to control them.

### **Bibliography:**

1. The Criminal Code of the Russian Federation (as of October 1, 2015). - Novosibirsk: Normatika, 2015. - 206 p.
2. Criminal Procedure Code of the Russian Federation (as of October 1, 2015). - Novosibirsk: Normatika, 2015. - 256 p.
3. Galkin VA Peculiarities of criminal liability and punishment of minors: a monograph / VA Galkin. - M.: "paleotypes" Publisher. 2009; Electron - Library System IPRbooks, 2012.
4. Nazarenko GV Criminal relevant mental state of the perpetrator and the persons who committed socially dangerous acts: Abstract. Dis. Doctor of Law. M., 2001. - 235 p.
5. Status of research on forensic psychology: the materials to the I All-Union Conference on Forensic Psychology. M., 1971. - 100 p.

# LEGAL ASPECTS OF DETERMINATION OF FORMS OF EDUCATION OF CHILDREN LEFT WITHOUT PARENTAL CARE: THEORETICAL AND LEGAL ASPECTS

**Baranova Maria Sergeevna.**

student branch Achinsk, Krasnoyarsk State Agricultural University

3 Course, Law

Russia, the city of Achinsk.

**Fastovich Galina Gennad'evna.**

Supervisor: senior lecturer in Criminal Law and Criminology

Achinsk branch of the Krasnoyarsk State Agrarian University

Russia, the city of Achinsk.

**Abstract:** In this article we will look at how the state takes care of children without parental care.

**Tags:** children without parental care, orphans, the state.

Orphans and children left behind and abandoned by their parents, always belonged to the same group in need of care and attention from the state. Today was the official recognition of the term, such as "children left without parental care." About their rights to special protection, state aid specifically referred to in para. 1, Art. 20 "On the Rights of the Child" of the Convention [1].

In accordance with Art. 123 RF IC children left without parental care may be placed with a family (for adoption (adoption), custody (guardianship) or in a foster home), and in case of impossibility of performance of these conditions in institutions for orphans or children left without parental care, all types (educational institutions, medical institutions, social protection of the population and other similar institutions) [2].

Loss of parental care of children can happen for various reasons. This list can not be detailed manner set by law. Paragraph 1 st. RF IC 121 determines not only which of them. They begin with the visible events and end with those whose existence is necessary to prove. On the contrary, we have to deal with the reasons, both objective and subjective.

The objective reasons include: death of parents; their serious illness that makes it impossible to care for the child, the protection of its rights; recognition of parents as incapable; restriction or deprivation of parental rights.

The rest of Article 121 submitted in claim 1 RF IC causes of parental care - the result of any inability to protect the child, take care of it because of the finding of the parents in isolation (prison medical institution, etc.), or unwillingness to fulfill their parental duty.

At the moment, there are forms of the device (education) of children without parental care as:

- Adoption (adoption);
- Transfer of custody or guardianship;
- Transfer to a foster family;
- The device children in educational, medical institutions, social protection of the population and other similar institutions.

Consider each of the forms of children in particular.

Adoption (adoption) - is a legal fact, which results in the emergence of mutual rights and obligations between the adoptive parent, adoptee, adoptive parent family, both between parents, children and relatives by origin.

There are a number of conditions under which a child can be adopted (adopt):

- minority of the adopted child;
- The actions in the interests of the child;
- The capacity of the adoptive parent, the absence of his deprivation of parental rights;
- The relevant state of health of the adopter;
- The difference in age of the adopter and the adoptee must not be less than 16 years (for good cause, the court may reduce the age category).

Terms of adoption (adoption) in our country is not as strict as in many other countries. In addition to all citizens of the Russian Federation have a clear priority over foreign adoptive parents.

Guardianship - a legal form of protection of personal and property rights and interests of minor children without parental care, and adults who are in connection with the state of health can not independently exercise their rights and responsibilities.

Guardianship is established over the young children under the age of 14 years, as against citizens, recognized incapacitated due to a mental disorder in the court. By nature most fully covers the guardianship and protect the rights of persons under guardianship. Trustees act as representatives of their wards, making transactions on their behalf.

Guardianship is established over minors aged from 14 to 18 years, as well as the persons with limited capacity. Trustees agree to transactions that are not wards of the right to make their own.

Foster family is formed by a contract between the adoptive parents and the guardianship and custody on the transfer of a minor child (ren) in foster family. On a foster family is transferred to a child who has not reached the age of majority, and for a period specified by the contract.

Treaty on the transfer of the child (ren) in foster families should determine the conditions of the child's maintenance, upbringing and education of the child (ren), the rights and obligations of the adoptive parents in relation to the adopted into the family of the children, commitment to foster family guardianship authority and as the grounds and consequences of termination of this contract. This agreement may terminate prematurely on the initiative of foster parents in the event of a valid reason such as (illness, change of family or property status, absence of mutual understanding with the child, conflict relations between the children, etc.), and on the initiative of the guardianship authority if the conditions a foster family became unfavorable.

Summarizing, we can say the following, that the state takes care of orphaned children is provided in full. Provided a sufficient number of devices forms the minor children whose parents left. Guardianship authority an important part of the state, which allows children to find happiness and love, if not in his own family, but the receptionist.

#### **Bibliography:**

1. of the Convention "On the Rights of the Child" (approved by the UN General Assembly 20.11.1989) (entered into force for the USSR 09/15/1990). SPS "Consultant» URL: [http://www.consultant.ru/document/cons\\_doc\\_LAW\\_9959/](http://www.consultant.ru/document/cons_doc_LAW_9959/) (reference date: 03.19.2016).
2. "The Family Code of the Russian Federation" dated 29.12.1995 N 223-FZ (ed. By 30.12.2015). SPS "Consultant» URL: [http://www.consultant.ru/document/cons\\_doc\\_Law\\_8982/](http://www.consultant.ru/document/cons_doc_Law_8982/) (reference date: 03.19.2016).
3. Commentary on the Family Code of the Russian Federation: <http://www.bibliotekar.ru/kodex-semya/124.htm> (reference date: 03/19/2016)
4. Forms of education of children left without parental care: [http://studopedia.ru/3\\_187434\\_formi-vospitaniya-detey-ostavshih-sya-bez-popecheniya-roditeley.html](http://studopedia.ru/3_187434_formi-vospitaniya-detey-ostavshih-sya-bez-popecheniya-roditeley.html) (reference date: 03/20/2016)



## TO THE QUESTION OF THE ADMISSIBILITY OF TACTICS QUESTIONING

**Baryshnikov Konstantin Viktorovich**

4th year student of the Department of Economics  
Achinsk branch of the Krasnoyarsk State Agrarian University  
Russia, the city of Achinsk

**Chervyakov, Mikhail Eduardovich**

supervisor  
K. Yu.N., associate Professor of criminal law and criminology  
Achinsk branch of the Krasnoyarsk State Agrarian University  
Russia, the city of Achinsk

**Abstract:** this article analyses the situation with the legality and ethics of the techniques of interrogation.

**Keywords:** interrogation tactics, the tactics, the legitimacy of the tactic, the ethics of tactical, counter-investigation, non-verbal communication.

One of the most challenging questions of criminology is the question of the permissibility and morality applied during investigative actions official techniques to ideal objects. This is due to the intertwining of ethics and legality in criminal proceedings, and that the contents of such techniques often is the psychological impact – tool, the nature of which does not identify and accurately Express its parameters.

A means of interrogation, as already noted, is the psychological impact on each other party to this proceeding. Moreover, it is necessary to take into account the fact that the psychological atmosphere of the interrogation is determined not only by psychological influence on the part of officials, but so the nature of the influence on him by being questioned, especially when it comes to the interrogation of a person against whom criminal prosecution is carried out. And in this case, the investigator, the psychological impact has a means of obtaining relevant forensic information as to the suspect (accused) person, if it pursues the opposite objective, such an impact is a means of procedural protection. However, in any case, the interrogation as a type of communication presupposes the existence of psychological influence: in other words, the psychological impact inherent inherent questioning that stems from the nature of communication itself.

Regardless of the procedural status of the person being interrogated and the position occupied by them during the interrogation inadmissible in accordance with the requirements of the code are such techniques impact on the person being questioned, the contents of which are: - the threat and blackmail; - physical and mental violence; - other illegal measures (article 164 CCP). Giving the characteristic to legitimate tactic, it must be emphasized that he, like ethics, is of a General, framework nature, as in the code of criminal procedure forensic recommendations as such are not available. It should be noted that the assessment of the mode of action as a tactic should be carried out through an analysis of compliance of the mentioned way not only the principle of legality (article 7 of the code), but also other principles of criminal proceedings.

The code of criminal procedure of the Russian Federation among the key provisions prohibits the use of violence, torture and other cruel or degrading treatment. May not be legal any action of persons - participants of criminal proceedings, creating a health hazard and life. In addition, the psychological impact cannot be based on the use of base motives of the person being interrogated, his religious sentiments, ignorance and prejudice.

Currently the most significant for criminal proceedings are fixed moral norms into legal form: as of the principles of criminal proceedings, as well as immediate requirements to conduct certain investigative activities. For example, there is a legal ban on the production of any investigative actions at night, except in cases of urgency (article 164 CCP). However, from the point of view of the question about the relationship of morality and law as social regulators of behavior has to be acknowledged that legal fastening of those or other ethical rules means the emergence of legal norms. Further failure to comply will mean a violation of legal mandates, the resulting legal consequences. With regard to this in the literature the properties (characteristics) tactical compliance with anyone law, including the law with an ethical content,

would imply the presence of such reception of property law. Otherwise would have to acknowledge the coincidence of meaning in property law and ethics tactic.

Speaking of non-verbal means of interrogation, it is necessary, in our opinion, to talk about the need for a special study in the framework of criminal tactics at the impact on the assessment of the ethicality of actions of the investigator during the interrogation of his nonverbal behavior. This is necessary because non-verbal communication during communication, as shown by the individual authors is 55 % of communication.

In particular, when the dispute about the permissibility of the techniques based on not informing the person under interrogation is known to the investigator, as well as the introduction questioned in confusion about the awareness of the investigator consider the following: 1. From the point of view of the mechanism of psychological influence, in other words, in the situation of a person having an interest in a particular outcome of a criminal case, any given to him during the interrogation, the question may seem a "trap". 2. Right to receive objective information, "the arguments to the identity of the" investigator as to condemn the logic in accepting the discussion. In accordance with such "arguments" the investigator appears as a person who is liable at any time during the interrogation on the request of the person questioned to inform him of the true state of Affairs prevailing during the preliminary investigation. 3. Fixing in the code two mutually exclusive functions creates a General background of the nature of the relationship of the investigator and a lawyer to provide the defense all information available to the investigator to complete the investigation in the criminal case would mean the leveling of the function of criminal prosecution. 4. In accordance with the Constitution of Russia may be limited by Federal law to the extent necessary to protect the values named in article 55 of the Constitution. Since the legality and ethics of certain methods of investigation is determined by the framework of the Criminal procedure code.

Thus, on the basis of well-established in theory and practice the relationship between the legal and the ethical in legal norm, it is hardly fair to single out any particular category of persons, in our case – investigators in respect of whom this rule is an exception, a burden on the investigator "special ethics". In the literature it is noted that the term "false" has the character of a social valuation and is only used in a negative sense. The communication of knowingly false information in morally justifiable situations, as a rule, lie did not call.

#### **Bibliography:**

1. Kochanowski V. P., V. I. Przhilensky, Sergueeva E. A. Philosophy of science: proc. allowance. 2-e Izd. M., 2006. S. 397-402
2. Yakimov N. And. Forensics. The manual on criminal techniques and tactics. M., 1925.
3. Ratinov A. R., Gavrilova N. And. The logical and psychological structure of lies and errors in the evidence // Problems of fighting crime. M., 1982. Vol. 37. P. 50. 7
4. Komissarova Y. V. Procedural and ethical issues of the examination in preliminary investigation: dis. ... candidate. the faculty of law. Sciences. Saratov, 1996. 212 p.3.

# ON THE SUBJECT OF JUDICIAL EXPERTOLOGY

**Buryak Sergey V.**

3rd year student of the Siberian  
Institute of Business,  
Management and  
Psychology Russia, Krasnoyarsk  
Department of criminology

**Voronin Sergey Eduardovich**  
Scientific adviser, Doctor of Law,  
professor Achinsk  
branch of the Krasnoyarsk  
state agrarian University

**Abstract:** The article deals with some current problems of judicial expertology that only recently separated from the criminology and place in a separate section of scientific knowledge.

**Keywords:** expertise, the science, the subject.

Judicial reform, which resulted in the adoption by public authorities of a number of normative legal acts in the area of justice, including the Criminal Procedure Code of the Russian Federation, anchoring there constitutional principles aimed at the democratization of justice, strengthening the legal safeguards of the individual, forced society to pay particular attention to the the use of the institutions related to the process of evidence in criminal proceedings. At a time when there have been significant changes in the socio-economic life, when there have been significant changes in the Russian legislation, taking into account the priority of personality began in the criminal proceedings, the role of expertise as a means of proof, increases significantly, and why it is so desperately are challenged by the imperfections of the criminal procedure legislation governing the appointment and manufacture of forensic examinations. These processes are, we believe, find their mirror image in the jurisprudence. Especially noticeably it expertology judiciary, which only recently separated from the criminology and became an independent legal science profile. However, so far in science, there is a serious danger of reductionism (that is, the subject of the substitution of one science subject of another), as at times to distinguish the subject of criminology, particularly in forensic technology, forensic expertology on the subject is very, very difficult. [1, p.27]

It is obvious that the subject of judicial expertology are the scientific basis of the purpose and production of forensic evidence as the most important in modern legal realities. Forensic examination has long been firmly established in the practice of criminal proceedings. Developing and improving on the basis of general scientific and technical progress forensic all appear more and more frequently in criminal cases, contributing to the establishment of the factual circumstances that may apply to any element of proof of the subject. Great importance forensics gets today; especially in the practice of the struggle against religious extremism [3, p.156] and practice of investigation of crimes in the sphere of migration security. [4, s.265]

Some authors believe that the development of the institution of expertise in legal proceedings, and especially the development of forensic examination as the main form of their use, should go in the following directions:

- The development of the general theory of cudebnoy expertise in improving the methodology of expert Study on, clarify the content of the tasks in forensic gpazhdanskom and criminal proceedings;
- The formulation of new vidov, childbirth classes and forensic examinations, due to the integration of civil proceedings in sfery achievements of new branches of knowledge;
- Improving the organization of production of judicial examinations;
- Ensure the possibility of the alternative examination in state and non-state expert institutions private experts. [2, p.46]

Forensics is the most qualified form of use of special knowledge in criminal proceedings. It significantly expands the educational opportunities of the court and pre-trial investigation authorities, allowing you to use during the pre-trial proceedings and judicial review of the whole arsenal of scientific tools of cognition.

The main problem that exists in modern science and practice - evaluation of expert conclusions and their role in the system of indirect evidence. The question arises: what is the place of the likely conclusions of forensic evidence system? Back in March 1971 the Plenum of the Supreme Court so expressed his

opinion on this issue: "Pay attention to ships that probable expert can not be used as the basis of the sentence." [5, p.59]

The response of the scientific community on this decision was controversial, and the discussion on the issue broke out with renewed vigor. Many experts do not agree with the explanation of the Plenum or were ready to accept a number of significant refinements (LE Arotsker, Berlyand GS, AG Egorov, Koldin VY, VF Orlova, YK . Orlov, NL Selivanov, etc.) "The decision of the Plenum of 1971 undoubtedly played a positive role in preventing the adoption of the courts is not enough informed decisions, however, has caused a number of questions -.. for example, whether there is a clear boundary between categorical and probable imprisonment and how to determine its position in each case? "[1, p.163]

Some authors believe that "... any definitive conclusion, for example, in the identification study will likely wear a character as any natural object has an infinite number of attributes, which means that the probability of specified identities can infinitely closer to unity, but never becomes equal to unity. Moreover, the probability of the alleged identity of the larger, more numerous set of identification features and the higher the value of the identity of each of these attributes are displayed and identified at the site of origin of the test. " [6, s.66-68]

In this regard, there are two questions to which answers are not obvious: 1) whether the expert is coming to a logical conclusion about the probable identity, give positive definitive conclusion? 2) how, by what principle in each case, the examiner should determine whether the identified set of features of individual and unique, if it leads to the conclusion about the identity of the likely form only? The importance of these issues due to the role of expert opinion in criminal proceedings. First, the shape of the output may depend on the value and importance of expert opinion as a whole as evidence in the case. Secondly, if there is a subject of proof any - any doubt regarding the expert report may re-examination appointment (with the request to make it to another expert), which increases the time of the investigation.

Our analysis of the legal rules governing the activities of the expert suggests that the legislator is certainly accomplished a significant improvement in standards, anyway governing the appointment and manufacture of forensic examinations in criminal proceedings. Especially these improvements have concerned the legal protection of the person of interest in the examination under an adversarial process and of the principle of the presumption of innocence; Expansion expert rights expert and stakeholders whose interests may be affected by examination; eliminating significant gaps legislation governing the conduct of examinations in criminal proceedings; systematic and coherent exposition in the Code of Criminal Procedure rules regarding the examination, thus avoiding manifestations of improper application of these standards and legal nihilism.

However, it should be noted that the most important issue of modern science and practice on the role of expert findings in probabilistic and categorical form in criminal procedure proving, still remains unresolved. In connection with this offer to supplement the Criminal Procedure Code of the Russian Federation position on the conclusions of the expert evaluation of the rules in a categorical and probabilistic form at the discretion of the investigator (the investigator). A scientist, in our opinion, it is necessary, finally, to clearly define the subject of judicial expertology answering the main methodological question: Is this science or law, nevertheless, technical?

### **Bibliography:**

1. Voronin, SE. Situational modeling in forensics: Monograph / SE Voronin. Krasnoyarsk: Publishing house of Krasnoyarsk State Agrarian University. 2013. 159 p.
2. Voronin, SE. Theory and practice of investigation of crimes related to the illegal exploitation of living aquatic resources: Monograph / SE Voronin, MN Tokarev. Krasnoyarsk: Publishing House of the Siberian Institute of Business, Management and Psychology. 2014. 278 p.
3. Voronin, SE. Psychotypological approach in the system of forensic expertise: Monograph / SE Voronin, RL Ahmedshin, TA Alekseeva. Krasnoyarsk: Publishing House of the Siberian Institute of Business, Management and Psychology. 2015. 323 p.
4. Voronin, SE. Theory and practice of investigation of crimes in the sphere of migration security: Monograph / SE Voronin, IV Nikitenko, DD Kaplun, VN Skorik. Krasnoyarsk: Publishing House of the Siberian Institute of Business, Management and Psychology. 2015.488 with.
5. Voronin, SE. Organization of a criminal community: the criminally-legal and forensic aspects: /S.E Monograph. Voronin, ES Voronin AM Zheleznyakov. Krasnoyarsk: Publishing House of the Siberian Institute of Business, Management and Psychology. 2015. 328 p.
6. Romanov, VV. Theory and practice of application of laws and the rules of logic in the internal affairs bodies: Monograph / VV Romanov. Ufa: Publishing House of the Ministry of Internal Affairs of the USSR VS Ufa. 1989. 178 c.1. Voronin, SE Organization of a criminal community: the criminally-legal and forensic aspects: /S.E Monograph.

# **PROBLEMS OF IDENTIFICATION AND DISCLOSURE OF THE CRIMES COMMITTED BY THE PERSONS HAVING THE MENTAL DISORDER WHICH ISN'T EXCLUDING SANITY**

**Valiullina Regina Rafikovna**

Student 4 courses of department of Criminal law and criminology  
Krasnoyarsk Agricultural university, Achinsk branch  
Russia, city of Achinsk

**Teplyashin Pavel Vladimirovich**

Research supervisor  
Cand.Jur.Sci., associate professor of department of criminal law and criminology  
Krasnoyarsk Agricultural university, Achinsk branch  
Russia, city of Achinsk

**Summary:** In article problems of identification, purpose of judicial psikhologo-psychiatric examination at investigation of violent crimes against the life and health made by the persons having the mental disorders which aren't excluding sanity are analyzed. Also formation of criminal motivation at these persons is considered, at commission of crimes against life and health on the sexual soil, measures for fight against violent crime are proposed.

**Keywords:** murders, judicial examination, mental disorders, sanity, mental anomalies, limited sanity, mental disorders, sexual motives, serial murders, crimes against life and health of the personality.

Modern law-enforcement practice demonstrates that, despite some stabilization of fight against violent crime, the last still has stable specific weight in the general structure of crime [1]. Therefore today fight against violent crime not only doesn't lose relevance, but also needs development of the sound and qualitative recommendations submitted on increase of its efficiency taking into account current trends of violent crime. In this segment of violent crime the persons suffering from these or those forms of the mental disorders which aren't excluding sanity have considerable specific weight.

Initially domestic criminal law didn't know category of limited sanity, the person admitted either responsible, or deranged. But at dichotomizing approach the expert decision was made by the principle of preference in favor of one decision with ignoring of another, in the same degree of not less probable [2]. So, for example, condemned during action by UK RSFSR of 1960 which wasn't knowing institute of limited sanity the serial maniac murderer A. Chikatilo has been recognized as responsible. At the same time, he has revealed also the mental disorders which aren't excluding sanity.

The bases for obligatory purpose of examination are provided in Art. 196 of the Criminal Procedure Code of the Russian Federation. In other cases making decision on purpose of judicial examinations is the investigator's prerogative. Such tendency as refusal of the investigator of purpose of judicial psikhologo-psychiatric examination because of an insufficient assessment of her importance results. Subsequently the mental disease remains not revealed, to the person treatment isn't designated, for serving sentence it is placed in one cell with the convicts who don't have mental disorders. For the solution of this problem I believe that the list of the bases for obligatory purpose of judicial examination provided by Art. 196 the Criminal Procedure Code of the Russian Federation should be added with the following basis: a mental or physical condition of the suspect, defendant if there are reasonable data confirming signs of presence at him of the mental disorders which aren't excluding sanity.

N. G. Ivanov suggests to replace the term "the mental disorder which isn't excluding sanity" with "mental anomalies". The instruction on frustration of mentality, in his opinion, can confirm diminished responsibility. He gives high degree of expressiveness of separate traits of character, and also melancholic and choleric types of temperament as an example of mental anomalies, at the same time as a basis of allocation of these or those states as anomalies he takes an imbalance of forces of excitement and braking. Specifying further that "the imbalance of forces of excitement and braking exerting impact on behavioural reactions is possible not only in the cases aggravated by psikhopatopodobny syndromes, high degree of expressiveness of separate traits of character, choleric or melancholic properties". Gives weather anomalies, change of seasons as an example of such cases and climatic zones, somatic diseases, a condition of pregnancy, etc. [3].

Indistinctly formulated idea of the accounting of the mental disorder which isn't excluding sanity at assignment of punishment, has led to an ambiguity how the court has to consider existence of this circumstance how softening or how aggravating?

One authors claim that existence of a mental disorder is the basis for mitigation of punishment, others support need of recognition by the circumstance aggravating responsibility [4].

The general for motivation of subjects of serial violent crimes on the sexual soil is her gradual formation at teenage age against set of a number of interdependent negative circumstances. Fight against violent crimes on the sexual soil will be inefficient also without acceptance of effective preventive measures. In this regard taking into account the moment of formation of criminal motivation of the specified subjects - the children's and teenage age, in my opinion, is required application of qualitatively new approaches. For this purpose it is necessary to raise a role of psychologists of educational institutions that of course will demand essential reforming of system of psychological providing in the sphere of the general education. As practice shows, many serial murderers at youthful age were brought to trial and it isn't obligatory on the sexual soil. For example, Century. Mukhankin before commission of a series of sex murders by him had two criminal records on crimes of a mercenary orientation. Identification of the teenagers belonging to risk group has to be combined with implementation of a package of measures of psychocorrectional character concerning them. For effective work with these persons to law enforcement officers and judicial system it is necessary not only to know natural manifestations of mentality of the person, but also to have some idea of a number of features of mentality of subjects with anomalies of her development without pathological changes of the personality.

On the basis of all above, I will note that subjects of violent crimes against life and health on the sexual soil possess a complex of the demographic, psychological, psychiatric, anatomic, moral qualities having criminalistic value and allowing to create a psikhologo-criminalistic portrait of criminals of this version. The accounting of this information allows even in the presence of poor data on the identity of the criminal significantly to concretize a circle of potential suspects and to rationalize investigation, having given him more purposeful character, than, perhaps, to prevent the subsequent criminal encroachments of this subject and to save life at least to some persons possessing a high viktimmnost.

Thus, the listed problems and contradictions emphasize special relevance of the real work in the solution of questions of validity and expediency of criminal liability and punishment of faces with the mental disorder which isn't excluding sanity about extent of influence of existence of mental disorders on criminal behavior, about measures of the prevention and prevention of commission of socially dangerous acts by specified persons.

### **Bibliography:**

1. Official site of the Ministry of Internal Affairs of Russia//<http://mvd.ru/presscenter/statistics>
2. Vandysh-Bubko V. V., Safuanov F.S. Limited sanity: judicial экспертологический analysis//Legal psychology. 2009. No. 2. - Page 6-9.
3. Teunayev A. Yu. Ugolovnyya responsibility of persons with the mental disorder which isn't excluding sanity, the abstract of the thesis for degree of the candidate of jurisprudence//the Rostov legal institute Ministry of Internal Affairs of the Russian Federation. Kislovodsk, 2003. - Page 184.
4. Kolosova V. I., Celestial A.N. Problema of criminal liability of persons with the mental disorder which isn't excluding sanity in modern criminal law of Russia//the Bulletin of the Nizhny Novgorod university of N. I. Lobachevsky. No. 2, 2001. - Page 124-133

## CITIZEN PARTICIPATION IN THE ADMINISTRATION OF JUSTICE: ISSUES STORIES

**Christina E. Voropaeva**

3rd year student of the Department of Theory and history of state and law  
Krasnoyarsk State Agrarian University  
Russia, the city of Krasnoyarsk

**Evgenia V. Bogatova**

c. j. s., Associate Professor  
Head. Department of Theory and History of State and Law  
Krasnoyarsk State Agrarian University"  
Russia, the city of Krasnoyarsk

**Annotation:** The article analyzes the issue of the presence of the public institution in administering justice. The author proves the necessity of the participation of citizens in the administration of justice in the various forms of modern Russia.

**Keywords:** russian justice, civil society, the history of law, court assessors, the judicial branch.

One of the conditions for the existence of democracy, the judiciary is contained in the Constitution of the Russian Federation the right of citizens to participate in the administration of justice.

So, in the XVI century, the government of Moscow, it was decided to provide the function of the court to the public. Then, during the Judicial Reform (1864), adopted the magistrate's court, which was intended to review the less important things. The magistrate elected by the people for a term of 3 years and the city authorities should be approved. The jury brought into the Russian Empire in the course of judicial reforms of Alexander II. From that moment, we are counting the development of this institution: vsesoslovnogo court created. The first jury trials in the XIX century took place in Moscow and St. Petersburg.

Institute of lay judges - Soviet phenomenon. new institute popular participation in the administration of justice was created after the events of 1917, which was regulated by the Decree № 1 "On the court." He abolished the general judicial establishment and suspended the activities of magistrates, established local courts as part of a permanent judge and two lay judges. They were considered criminal cases, which could have been sentenced to 2 years imprisonment and civil cases to the amount of the claim is not more than 3000 rubles.

In November 1918, the Central Executive Committee adopted the Regulation on the national court of the RSFSR, which was based on the principle of a single national court. According to this provision, the court could be established as follows: the sole national judge; permanent judge and two lay judges; permanent judge, and six lay judges.

It changes the law, and changed the status of people's assessors. As stated in the article. 15 Code of Criminal Procedure of 1960, the people's assessors enjoy equal rights with the judge to address the issues that arose during the proceedings and sentencing. Also by law, the terms "judge" were equated and "lay judge".

Revival of juries began in the 1990s. reform has been carried out, the purpose of which was to ensure the constitutionally guaranteed right of citizens to have their trial by jury. As an experiment in 1993-94 jury began operation in several regions of Russia: Altai, Krasnodar, Stavropol region, Ivanovo, Moscow, Rostov, Ryazan, Saratov and Ulyanovsk region.

Prior to 02.01.2000, the lay judges were elected and took part in the administration of justice in accordance with the Law of the RSFSR of 07.08.1981, "On the Judicial System of the RSFSR" and the Law of the USSR from 04.08.1989, "On the Status of Judges in the USSR." As stated these acts, lay judges of the district (city) court shall be elected at a meeting of citizens at the place of residence or work by open vote and lay judges of other courts are elected by the Council of People's Deputies accordingly. Their term of office is 5 years.

Presidential Decree of 03.22.1995, № 299 "On the extension of the term of office of lay judges of district (city) courts" and the decree of 23.01.1997, № 41 "On the extension of the term of office of lay judges of the supreme courts of republics, territorial, regional courts, and Moscow St. Petersburg city courts, court of an autonomous region, district and military courts "established that the lay judges shall hold office until the adoption of a special law.

In 2000, the Federal Law "On Lay Judges" defined a new procedure for empowerment of lay judges and their term of office. Article 2 of the law has established that the general list of lay judges of district

courts for an adequate representative body of local self-government according to a poll district, in whose territory the court is located. The number of lay judges was calculated as 156 lay judges in the district court judge.

Federal Law of 18.12.2001 number 177-FZ "On introduction of the Code of Criminal Procedure of the Russian Federation" with the January 1, 2003 introduced a rule which provides for the consideration of criminal cases with the participation of a jury in nearly every region.

In 2004 adopted the Law "On jurors of federal courts of general jurisdiction in the Russian Federation." Thus the jury is the only form of the public participation in the establishment of justice in criminal matters.

Now public participation in the administration of justice is carried out in two forms. The first form is the participation of the public in the administration of justice. The second form - indirect public participation in the administration of justice. In this form of citizens participating in the process to help establish the truth in the case.

As provided by law, citizens in the exercise of justice can act as arbitration judges, jurors, defense counsel, the plaintiff.

As established by the Federal Constitutional Law "On the Judicial System of the Russian Federation" citizen participation in the administration of justice is a civic duty. So, most of the decisions adopted by the court of first instance with the participation of arbitration assessors were upheld by higher courts. Arbitration assessors are experts on the relationships that are the subject of the dispute and the decision which they take together with the judge is a professional solution.

We believe that the participation of citizens in the administration of justice is a form of realization of democracy in the exercise of judicial power and an important element of the political system of the state. In the future should be to develop innovative forms of public presence in the courts.

We believe that in the case of the abolition of the institution of lay judges will be significantly limited citizens' right to administer justice.

#### **Bibliography:**

1. Kleandrov M.I. Economic justice in Russia: Past, Present and Future / MI, Kleandrov // PE-Lawyer. 2003. № 36.
2. Federal Law of 02.01.2000 N 37-FZ (rev. On 14.11.2002) "On the Lay Judges of federal courts of general jurisdiction in the Russian Federation" invalid. // Consultant: Legislation.
3. The federal law from 20.08.2004 N 113-FZ (as amended on 29.12.2010.) "On jurors of federal courts of general jurisdiction in the Russian Federation" // Consultant: Legislation.
4. Gardeners G.D. Commentary on the Constitution of the Russian Federation. / GD. Gardeners. M. : Yurayt-2010.
5. Teplyashin I.V. Legal Innovation: the contours of the study // the Russian legal magazine. 2012. №2. S. 9-19



## **CRIMINAL PROCEDURE PROBLEMS OF THE APPLICATION compulsory medical measures**

**Gerasimova Olga A.**

3rd year student Department of Criminalistics  
Siberian Institute of Business,  
Management and  
Psychology  
Russia, Krasnoyarsk

**Voronin Sergey Eduardovich**

scientific adviser  
Doctor of Law, Professor of the  
Krasnoyarsk State Agrarian University

**Abstract:** The article deals with some problems of criminal proceedings arising from the application of the rules on the production of compulsory medical measures.

**Tags:** process, medicine, insanity.

Currently, certain articles of the criminal procedure law governing the institution of a special production of the application of compulsory medical measures (hereinafter referred PMMH) have a number of inaccuracies and material defects; very often in conflict with the norms of criminal and penal law as governing these specific legal relationship. [1 s.112-136] In this regard, the relevance of the article, in our opinion, is caused by the need to develop universal norms, which would be much improved this type of special proceedings on the application of compulsory medical measures. And it is dictated, on the one hand, in order to more effectively protect the rights and interests of one of the most vulnerable categories of persons legally - insane persons or persons with mental disorders, including the illegal and unjustified involuntary treatment; on the other hand - to fully ensure the rights of victims of crime committed by a mentally ill person.

To determine whether a person has committed an act prohibited by the criminal law in a state of insanity or in a state of mental disorder not excluding sanity, you must initially initiate a criminal case and conduct a preliminary investigation.

Implementation of the production of the application to the face of compulsory medical measures begins carried out only within the already excited general of the criminal proceedings established by Art. 140-148 Code of Criminal Procedure, on the basis of the judgment of the investigator of a criminal case. Code of Criminal Procedure, in this case, does not contain legal rules governing the independent order of driving and the use of production PMMH. [2, p.49]

This fact is a clear gap in the criminal proceedings because the criminal proceedings and proceedings for the application of PMMH - it's completely different legal institutions, as: 1) as a result of pursuing its activities entirely different purpose; 2) in the course of carrying out these types of productions are presented and the various participants in the criminal process.

If the inspector has reasonable doubts as to the mental suspect status of the accused at the initiation of criminal proceedings, he shall appoint a forensic psychiatric examination, the result of which will be the conclusion of physicians, containing confirmation of the existence of mental illness the person is no data to refute any doubts investigator regarding his normal mental state.

Conclusion doctors confirming that the person at the time of committing a socially dangerous act in a state of chronic mental illness, temporary mental disorder, dementia or other mental condition is a medical criterion of diminished responsibility. To establish the legal criterion of insanity investigator must determine that the person at the time of commission of the offense was not aware of the actual nature and social danger of his behavior (intelligent feature) or did not have the opportunity to manage their behavior (volitional sign).

The collection of medical and legal criteria allows the investigator to make presumptive conclusion that a person is insane. This means that in the criminal case there is no structure of a crime - not a subject that can only be sane person over the age specified by the criminal law (Article 19 of the Criminal Code.). Based on the analysis h. 1 tbsp. 24 Code of Criminal Procedure "criminal proceedings may not be initiated and instituted a criminal case shall be terminated in case of absence of corpus delicti". [3] Therefore, it would be logical imposition of investigator decision to discontinue the criminal proceedings and criminal prosecution against the person under Part 1 of Art. 24 Code of Criminal Procedure, but

production PMMH the application does not provide for such termination, since the crime was committed and the person who committed it is dangerous both for themselves and for others. [5, p. 89]

To avoid a conflict of criminal procedural law, we suggest at this stage of criminal proceedings to terminate the criminal proceedings against a person suffering from a mental disorder, and at the same time to initiate proceedings on the application PMMH to make appropriate decisions. It will set the special legal status of the person against whom proceedings are being conducted on the use of compulsory treatment. It will be called - "a person against whom the proceedings are conducted on the application of PMMH". For such a person in criminal proceedings can not be called neither a suspect nor an accused; however, in criminal procedure relations with the bodies of the preliminary investigation, nevertheless, it comes.

The need for the use of production PMMH an independent production is also associated with the complexity of the subject of proof in this case. In addition to the circumstances to be established relating to the crime, the investigator must establish the fact of the face of mental illness, the degree of severity, it is necessary to establish whether the person represents a threat to themselves or to others, whether compulsory treatment needs.

Based on the fact that the subject of proof in cases of crimes of this group greatly expanded; all preliminary investigation becomes a clear focus on the establishment of the degree of mental disorder the person who has committed a socially dangerous act, and the rationale for the use of compulsory treatment for him (the main goal); and proving circumstances of the crime, we believe acquires in this case has a secondary character. It is safe to say that within the framework of the production of procedural activity of the prosecution loses damning character, aimed at establishing the guilt of the person in committing the offense, and takes on an entirely different character, aimed at establishing a basis for applying to PMMH face. [4, p.56]

To sum up, it should be noted that the proceedings concerning the application PMMH is more voluminous and detailed than the usual pre-trial proceedings in criminal cases, requires the application of large mental effort by the investigator, and because of his conduct under the ordinary criminal cases seems to us clear legislative gaps.

It seems that it is necessary to include in the current Code of Criminal Procedure Article, the regulatory procedure for termination of the criminal proceedings and criminal prosecution of the insane persons and excitement regarding their production on the application PMMH.

These actions will be based on the relevant resolutions of the investigator: 1) to dismiss the criminal case and criminal prosecution against a person on the basis of paragraph 2 of Part 1 of Art... January 24 Code of Criminal Procedure; 2) the production of the application of compulsory medical measures; 3) recognition of a citizen by a person against whom the proceedings are conducted on the application of PMMH.

### **Bibliography:**

1. Voronin, SE Dialogues of the criminal trial of Russia: Monograph / SE Voronin. Khabarovsk: Publishing house of the Far East Institute of the Russian Interior Ministry. 2007. 176 p.
2. Voronin, SE Organization of a criminal community: the criminally-legal and forensic aspects: /S.E Monograph. Voronin, ES Voronin AM Zheleznyakov. Krasnoyarsk: Publishing House of the Siberian Institute of Business, Management and Psychology. 2015. 328 p.
3. "Criminal Procedure Code of the Russian Federation" dated 18.12.2001 N 174-FZ (ed. From 07.13.2015) (rev. And ext., Joined. In force from 09.15.2015).
4. Mazyuk, RV The order of commencement of the application of compulsory medical measures against the suspect, the accused: Monograph / RV Mazyuk. M. : Publishing house "Yurlitinform". 2009. 216 p.
5. Voronin, SE Psychotypological approach in the system of forensic expertise: Monograph / SE Voronin, RL Ahmedshin, TA Alekseeva. Krasnoyarsk: Publishing House of the Siberian Institute of Business, Management and Psychology. 2015. 323 p.

# IDENTIFICATION CARDS CRIMINALS

**Gordienko S. Bogdan**

graduate of the Law 2014 Achinsk branch of the Krasnoyarsk State Agrarian University Russia , Achinsk

**Chervyakov Michael E.**

scientific director

k.yu.n , Associate Professor of Criminal Law and kriminalologii

Achinsk Krasnoyarsk branch GAU

Russia , Krasnoyarsk

**Abstract:** This article describes the various biometric options , which are combined into a single information perpetrator card. This map is something like a passport , which will be recorded all the biological data of the criminal. The purpose of this card is to establish identity of the offender as soon as possible .

**Keywords :** identity card , biological parameters .

In the last years (in the 90th years) in Russia rise of crime's and, and at the same time is noted, decrease the quantity of the solved crimes. In order to change current situation "The federal target program for strengthening of fight against crime" was adopted in 1996 besides improvement and development of the criminal and criminal procedure legislation, it is necessary to take measures for improvement of technical base and development of the new techniques allowing to use more effectively the various traces remaining after commission of crime.

However this program hasn't been involved fully since today the quantity of crimes continues to grow, and their solvability leaves much to be desired. In this regard there is a necessary question – what to do in this situation and how to correct it?

The actual offer today, for improvement of law-enforcement system on search of criminals is to create "ID card" where all key and minor biometric parameters of the criminal (methods of biometric authentication) would be specified.

The ID card is created with the accurate and expressed orientation which purpose is the identification of the criminal who commits crimes not for the first time.

The essence of this card consists in the following: at capture of the criminal, first to pick up the main trail of a biological origin of the person, secondly minor biometric identification parameters.

1. Traces of a biological origin (the traces relating to genetic examination) which can be collected directly from the place of commission of crime.

1.1. First it is necessary to take the criminal's blood. Blood spots "more often than other proofs gain in case very essential value". It is necessary to use the analysis and DNA blood test since it will allow to establish a blood type, a Rhesus factor, sex, approximate age, a number of diseases of the criminal, etc. It was promoted by the last achievements in a serologiya, immunology, hematologists. So, for example, began to differentiate blood on sex and besides groups of the OAV system, to establish also other groups the eritrotsitarnykh, serumal, fermental, proteinaceous systems, and with application in biological examination in the 90th of methods of the DNA analysis there was a real prospect to define blood belonging in traces to a concrete individual.

1.2. The same is done in the relation the potozhirovykh traces. As well as in blood there is a definition of group belonging of sweat to one of four groups in the AVO system. Though identification of the person on his potozhirovy traces is usually carried out as morphological research of traces of fingers of hands within dactyloscopic examination, their considerable part is unsuitable for papillyaroskopichesky research. However it the potozhirovykh of traces from estimated things of the criminal (the lost glove, a handkerchief, etc.) doesn't prevent to conduct research.

1.3. Besides sweat within disclosure and investigation of crimes quite often there is a need of research of other allocations of a human body, such as saliva, urine, kcal, mucous allocations of a nose, etc. These allocations of a human body are met less often (except for hair), but sometimes on the place of commission of crime, they are the main material evidence. But this small minus, is compensated by genetic examination with high probability of establishment of these traces which belong to this or that person. A striking example of it is the American professor Mark Shriver from university of Pennsylvania. He has learned to make special genetic maps which at the molecular level allow to reconstruct extent of pigmentation of skin of the person, and also lines of his face. Thanks to new technology it was succeeded

to make a peculiar identikit of the serial murderer of the USA Derek Todd Li who was searched for many years for murders of seven women.

1.4. In addition it is necessary to approach investigation of crimes of sexual character. So at tyrants, maniacs, pedophiles besides the main traces of a biological origin, it is necessary to take the analysis of sperm. One of the main material evidences at investigation of sexual crimes are sperm traces.

In cases of successful analyses before law enforcement agencies the alleged identity of the criminal opens who can be put on the wanted list and to detain as the suspect of commission of crime. It will promote in general a number of direct and circumstantial evidences that considerably will increase percent of solvability of crimes.

But it happens that the subject hasn't left any biometric marks. At the same time on a crime scene the video surveillance camera(s) which (have) recorded a crime has been installed. In given cases for an identification of the criminal the biometrics, one of three methods of biometric system of authentication is used.

2. Minor biometric identification parameters of the criminal.

2.1. Authentication on a voice (Phonoscope examination) – one of the most demanded and effective methods of investigation of crimes. This examination is based on the analysis of the unique characteristics of the speech caused by anatomic features (the size and a shape of a throat and mouth, a structure of vocal chords) and the acquired habits (loudness, a manner, speech speed). Today in legal proceedings there is a large number of cases where the oral text which is fixed on the material carrier joins as an important material evidence. In fact phonoscope examination is the only effective system of proof of crimes at which on the place of commission of crime marks of a biological origin haven't been left.

But you shouldn't neglect other biometric parameters of the subject, such as: authentication on an eye iris of the eye, on geometry and the thermogram of the person, on gait and a manner of the movement of the criminal, etc. For example the criminalistic (psychological) portrait of the criminal can be established on gait and a manner of the movement on the place of commission of crime.

Also it is necessary to consider some minuses of this card. It is necessary to consider that the voice (along with handwriting, gait, etc.) belongs to so-called "behavioural" identifiers, and would be vain to expect from the technologies of high precision and reliability using these identifiers.

#### **The list of the used literature:**

- 1 Moiseyeva T.F. methodology of complex criminalistic research potozhirovykh of traces of the person of 2002. Legal Russia
- 2 Tregubov S. N. Bases of criminal equipment. Scientific and technical methods of investigation of crimes. - Petrograd, edition of a legal book warehouse "Right", 1915.
- 3 Shamonova T.N. Cand.Jur.Sci. Traces of blood of the person in the criminalistic doctrine about traces of 2008. Legal Russia
- 4 Caen V.B., Belikov I.E. Forensic medicine: Course of lectures. – Yekaterinburg: Publishing house of the Ural legal institute Ministry of Internal Affairs of Russia, 2002. – 115 pages.
- 5 RG.RU the Russian newspaper the criminal's Portrait on a hair 2/19/2009
- 6 Rostov center of judicial examinations, Phonoscope examination  
BioLink B iometric systems, Identification on a voice

# FEATURES CHECKING REPORTS OF CRIMES IN THE PRELIMINARY INVESTIGATION STAGE, CREATING A BASIS FOR FURTHER INVESTIGATION OF THEFTS COMMITTED BY CITIZENS OF THE DWELLINGS

**Evgeny Grishin**

2nd year student of the Faculty of Law  
in the direction of the criminal process and criminalistics  
Kuban State Agrarian University  
Russia , Krasnodar

**Saveliev V.A.**

Professor of the Department of Criminology , PhD, associate professor of VAK , Professor of Kuban State Agrarian University  
Russia , Krasnodar

**Abstract:** This paper presents a number of topical issues aimed at a detailed study of the situation of preparation, fulfillment and concealment of burglary , as well as traces at the crime scene.

**Keywords:** theft, burglary, crime, selling stolen goods, property

Property crimes have always been particularly difficult in the investigation, since a large proportion of them remain unsolved. A significant number of unsolved property crimes - a theft of another's property, including the "burglary". Detection of "burglary" for a long time is low. First of all it is characterized by a professional level criminals. Increased number of criminal attacks perpetrated by criminal groups with a different form of organization, which leads to difficulties in obtaining information about the identity thief.

Cons persist in law enforcement for investigation and disclosure of theft of citizens' homes, this translates into a slow response by law enforcement agencies in the event of the crime; in incomplete and procedural quality checks of all the circumstances of what happened during the preliminary investigation, which leads to a lack of information about their deeds encroachment, especially at the initial stage of the investigation, which later leads to unjustified assessment of the situation by the investigator or investigative operatives; investigative actions and operational-search activities are carried out in the first days after the fact of committing a crime; on every third post about the theft of the homes of citizens investigative team did not go in full or without the appropriate technical and forensic tools.

Important issues in the work of law enforcement agencies are the following: low-quality crime scene examination; the absence of a centralized approach to working with individuals previously convicted of burglary.

The concept of "investigative situation" and the concept of "forensic situation" combined informative character content, based on evidence that the subject decides receptions and methods needed to ensure the investigation process. These two concepts are similar, but it should be noted that the term "forensic situation" is more common, because, unlike the concept of "investigative situation", covers all stages of the investigation process, from the pre-test materials before the court decision. We can conclude that forensic situations include situations preliminary examination reports of crimes, investigative situations inherent in the preliminary investigation stage, as well as problem-search situation trial.

When considering the reasons excitation of criminal case on the facts of burglaries, the content is specified reasons, the proposed legislation on criminal procedure.

Reins, which relates to Article 141 of the Criminal Procedure Code of the Russian Federation [1] (hereinafter referred to as - Code of Criminal Procedure) are: the application of tenants of apartment; statements of other persons, who discovered the illegal penetration into dwelling.

The turnout of guilt as a reason (art. 142 CCP RF) practically does not occur.

Reins related to art. 143 Code of Criminal Procedure are: helpful staff of private security departments; Posts workers that reflect the results of operative investigation and investigative activities; police posts, which citizens have reported the illegal penetration into dwelling, but categorically refused to write a statement.

The condition of the initial classification of typical situations is the source into the crimes, to thereby isolate typical situations: the penetration of learned from the application of tenants of apartment; of intrusion it became aware of statements of other persons, who discovered illegal entry into a dwelling; voluntary surrender; of intrusion it became aware of the reports of employees of private security; of intrusion it became aware of the reports of police officers almost any services to which citizens are informed about the penetration, but refused to write a statement; about the penetration of the workers became aware of messages reflecting the results of operative investigation and investigative activities.

The system of actions to resolve these situations include investigations, conduct which is provided for in the Code of Criminal Procedure and the Federal Law "On operative-investigative activities" [2].

As a result of the complex action on the initial situation inspection, the investigator or the operative employee receives the amount of information, which is characterized as the final stage of a typical criminological situation preliminary examination report a crime: burglary took place, but there is no information on the identity of the offender; a criminal offense has taken place and there is information on the identity of the alleged thief; theft took place, there is a suspect in the theft; was not stolen. In the first three cases a criminal investigation into the theft, and the resulting forensic situations become the initial situation initial stage of investigation. In the fourth situation, the decision to refuse to initiate criminal proceedings.

After the criminal case is necessary to determine the circumstances which are subject to the clarification in the first place - namely, property damage; the identity of all the perpetrators; if the infringement was committed by an organized group, the role of each member of the group. Subsequently carried out interrogations of victims, witnesses, suspects and accused persons and always fixed course and examination results with: logging, recording, graphic forms of evidence fixing, objective modeling of human appearance, photography, video, etc .; personal searches; search warrant on a residence of the suspect, the questioning of witnesses and other witnesses, the questioning of the victim, the interrogation of the suspect; an investigative experiment.

Further carried out the interrogations of witnesses, the presentation for identification, verification of testimony on site, confrontations, interrogations of suspects and defendants. forensic examination is carried out if necessary. The most characteristic of expertise, which are installed in the commission of thefts from dwellings: forensic examination, the study of microscopic - examination of traces of hands, shoes, hacking tools, etc ..

The investigation of a criminal assault - a long and tedious, no factors should not infringe upon the investigator's initiative.

There are the main factors that affect the activity of law enforcement agencies in the investigation of theft of citizens' homes, which include: a reaction to the statements and reports of thefts in lost time; insufficient training.

So, during the preliminary examination reports of crime typical situations occur which are caused by a source of information about the theft from home. The results of the actions that are included in the system to address typical situations stage of preliminary verification are informational base for the establishment of the final phase of the specified situations. Typically, during the preliminary examination the police unlawfully and unreasonably refused to initiate criminal proceedings under Art. 24 Code of Criminal Procedure. What it is not always correct, so in the future prosecutors should carefully check the facts for the presence of hidden crime.

#### **Literature:**

1. The Criminal Procedure Code of the Russian Federation dated 18 December 2001 № 174 -FZ amended. and ext. on December 30, 2015 // SZ the Russian Federation . 2016. № 1. Art. 61 .
2. On operative - search activity : the Federal Law of the Russian Federation on August 12, 1995 №144 - FZ amended. and ext. on June 29, 2015 // SZ the Russian Federation . 1995. № 33. Art. 3349 ; NW. 2015. № 27. Art. 3961 .

# THE PROBLEM OF interpretation results IN CRIMINAL PROCEEDINGS

**Zaikin Aleksey Viktorovich**

4th year student

Krasnoyarsk State Agricultural university

Russia, Krasnoyarsk

Department of criminology

**Voronin Sergey Eduardovich**

scientific adviser

Doctor of Law, Professor

Achinsk branch

Krasnoyarsk State Agricultural

university

**Abstract:** The article deals with some current problems of proof theory. In particular, the use of results of operatively-search activity in ugolovnom proceedings.

**Keywords:** search, proving, legalization.

The use and legalization of results of operatively-search activity (hereinafter ORD) in criminal procedure proving raised a number of lawyers, however, can hardly be considered that all the emphasis placed on this issue to the end. In any case, the scientific debate on this issue has been simmering in the legal literature until now. [1, p.32]

Currently, we find only a few references about the results of the OSA in the Criminal Procedure Code of the Russian Federation (hereinafter referred to as the CPC) and in Article 89 of the Federal Law of 12/8/1995 number 144-FZ (as amended on 12.21.2013 city), "On operatively-search activity. "

About Article 89 of Criminal Procedure Code can only say that it does not call the OSA data source of evidence, and therefore has an insignificant procedural importance. The information contained in it, tells us only that the OSA data can serve as proof only in the case when there is an operational-search activities (the ORM text) to check the crime - that is, serve as one of the reasons for the preparation of a report to excite criminal proceedings, or persons involved in criminal proceedings in the capacity of a participant. Later, when instituting criminal proceedings, data OSA did not acquire its procedural matter since the investigation started by the investigator or body of inquiry, where the evidential database constitute only evidence listed in Art. 74 Code of Criminal Procedure. All this is in theory the criminal process has been called "the interpretation of the OSA data in criminal procedure proving."

In the analysis of the law on operational and investigative activities should be said that the law specifically and adequately describes the objectives, principles, legal basis operational and investigative activities, but it does not indicate that the data are evidence of OSA at a stage of excitation of criminal case. Thus, the operatives have at their disposal a whole range of operational activities, which are delivered in a clear framework for the rule of law for non-compliance which various sanctions for security officers can be assigned. But in the end, with the detection of the crime, after carrying out the operational-search actions, all the actions security officers, one might say, are reduced to zero, as all actions committed, maximum, will serve as a pretext for instituting criminal proceedings - Report security officer of the criminal investigation to identify the crime. Later, after the approval of this report and the start of a criminal case, all the work of investigators investigator will not be taken into account, their data can be used by the investigator (inquiry officer) only within the framework of the investigative tactics. And all this, in our view, is because the legislator did not consider the significance of the OSA data in the modern fight against crime and are not included in Part 2 of Art. 74 Code of Criminal Procedure of the OSA as a source of evidence.

It is in this underestimation ORD data in the criminal process, we believe, lies one of the problems of imperfection Code of Criminal Procedure, which largely tie the hands of bodies of inquiry and investigation in the conduct of criminal proceedings, thereby increasing the percentage of unsolved crimes, one way or another connected with the lack of evidence .

Analyzing this problem, you may encounter with the authors views on the inadmissibility of the OSA results as a form of evidence. Most of the opinions, thus, is to ensure that during the OPM and

presenting them in charge can run into the falsification of any documents or illegal actions of operational staff, which solved for maintaining statistics can go for actions that violate the law. Not agreeing with this point of view, I would like to say about the consistency and absolute under the law of these actions on the part of investigators. Departing from the law, detective understands what responsibility, and what punishment could follow his illegal actions. [2, p.141]

In support of the OSA data inclusion as one of the types of evidence can result in quite a successful practice of the other CIS countries, where information during an ORM is a full proof. An example would be the Republic of Kazakhstan (RK), which in Art. 130 Code of Criminal Procedure explicitly states a study OSA results in proving on criminal cases. In the first part of Art. 130 Code of Criminal Procedure states that the results of operational-investigative activity, obtained in compliance with the requirements of the law, can be used in proving on criminal cases in accordance with the provisions of the Code of Criminal Procedure governing the collection, research and evaluation of the evidence in compliance with the requirements stipulated by the Criminal Procedure Code of RK, and as the laws of the Republic of Kazakhstan. The very article 130 of Code of Criminal Procedure adequately describes all conditions, procedural form, under which the OSA data are transformed into evidence. [3, p.69]

We believe it is certainly correct that information the OSA are a source of evidence in the Republic of Kazakhstan as well as certain operational-search activities may reveal direct involvement of a particular person for a crime and, in compliance with all formalities, could be a good tool for the investigator in his criminal procedure proving. Let us consider these types of MPAs that best account for the crime scene, and that would be sufficient weight of evidence - a "test buy" and "observation".

The test purchase is a set of actions for the creation of an artificial situation of the sales transaction in which, in order to obtain information, purchase goods from a person who is suspected of illegal activities. That is, there is the most significant event, but instead of a simple buyer is very operative, or a citizen, facilitate the operation.

Monitoring - is an ORM, which consists in the deliberate, systematic and purposeful perception (monitoring) of individuals or other objects that will ensure the operational and investigative or other relevant information necessary for the decision of problems of the OSA. [4, p.247]

Already you can understand in these two mentioned actions that a person has committed a crime, without any side effects, threats, etc. If these results show ORM directly wrongful actions of the person, so why, logically, they can not be evidence? These actions intellectually sophisticated in their design in the "brainstorming" mode of thought out every detail, to further serious risks during the ORM may arise. As a result, they often serve as a pretext for the initiation of the case, and further their role in the criminal process is significantly minimized. In this case, the part of us it may seem that there is some apparent distrust of operatives and methods of their work, which, of course, can not affect the effectiveness of the disclosure and investigation of crimes. [5, p.195]

We believe that the inclusion of the OSA data in criminal procedure proving to be of great help in the detection and investigation of crimes, and greatly facilitated the work of investigation and inquiry in the modern legal realities.

### **Bibliography:**

1. Voronin, SE The moral and psychological basis of OSA and criminal justice: Monograph / SE Voronin. Khabarovsk: Publishing House of the Ministry of Internal Affairs DVYUI RF.2008. 178 p.
2. Voronin, SE Organization of a criminal community: the criminally-legal and forensic aspects: Monograph / SE Voronin, ES Voronin AM Zheleznyakov. Krasnoyarsk: NOU VPO SIBUP, 2015. 328 p.
3. Voronin, SE Theory and practice of investigation of crimes related to the illegal exploitation of living aquatic resources: Monograph / SE Voronin, MN Tokarev. - Krasnoyarsk: Publishing House of the Siberian Institute of Business, Management and Psychology, 2014. - 278 p.
4. Voronin, SE Theory and practice of investigation of crimes in the sphere of migration security: Monograph / SE Voronin, IV Nikitenko, DD Kaplun, VN Skorik. - Krasnoyarsk: Publishing House of the Siberian Institute of Business, Management and Psychology, 2015. - 488 p.
5. Voronin, SE Psychotypological approach in the forensic aspects of the knowledge system: Monograph / SE Voronin, RL Ahmedshin, TA Alekseeva. - Krasnoyarsk: Publishing House of the Siberian Institute of Business, Management and Psychology, 2015. - 323 p.



# TACTICAL AND PSYCHOLOGICAL FEATURES OF THE PRODUCTION OF A CONFRONTATION INVOLVING JUVENILE DEFENDANTS

**Zeylesh Vitaliy**

4th year student of the Department of Jurisprudence  
Achinsk branch of the Krasnoyarsk State Agrarian University  
Russia, Achinsk

**Chervjakov Mihail**

scientific director  
Ph.D., Associate Professor of Criminal Law and Criminology  
Achinsk branch of the Krasnoyarsk State Agrarian University  
Russia, the city of Achinsk

**Abstract:** The psychological aspects of the confrontation involving juvenile defendants, the impact and role as participants in the confrontation, and the investigator.

**Keywords:** confrontation, imperfectly years, the role of the investigator, psychological, methodological procedures, the legitimacy of action, problems of confrontation, cooperation of the accused.

Confrontation, as well as any other verbal investigative action is a kind of mental communication. The specifics of the confrontation as a psychic communication is the number of its participants. In addition, a minor part of the accused specifies a more complex structure of the mental communication.

Tactical and psychological bases of the production of a confrontation with the accused minor, we consider:

- From the point of impact of interrogated persons at each other;
- From a position of investigator impact on the participants of the confrontation.

So, GA Kovalev exposed in the most general sense of understanding "process, which is implemented in the course of the interaction of two or more well-ordered systems, which results in a change in the structure and condition of at least one of these systems." In general, the definition of GA Kovaleva consistent definition that offers the GL score: "The impact of the object on the subject of A - is an event consisting in the fact that the subject is in, or preventing a change of subject A".

Thus, the action is a process that causes or prevents changes in one of the communication systems.

In addition, in the literature on the concept of "psychological pressure" and "psychological impact", which are often used, including practice, interchangeably.

The impact in certain cases may be unconscious. This impact is determined only by the individual personality of subjects and their relationship. In the production of confrontation, as in any other communication, all participants have a similar impact on each other without realizing it. To control it, the participants of the confrontation are not able to, but they can minimize the risk of this exposure.

In other cases, the impact is a deliberate, purposeful interference with the mental processes of reflection of reality of another person. Based on this minor accused during the confrontation may have a conscious and purposeful influence on the other party, given his age and psychological characteristics.

Most of the minors who have reached the age of criminal responsibility, already possess sufficient intellectual and volitional faculties to exercise a conscious and purposeful action.

Acceptance levels of psychological influence have always been and remain highly topical and controversial issue in science, forensics, in which expressed the opinion of many scientists. Summarizing them, it can be said: "In contrast to the violence a legitimate psychic influence by itself does not dictate a particular action, but extorts or that the content of interfering in the internal psychological processes, forms the correct position of a person, a conscious attitude to his civic duties and only indirectly leads it to the choice of a particular course of conduct. "

Thus, considering the above, we believe that the criterion of the legality of the psychological impact is the ability of the accused juvenile to exercise the right of choice of a particular variant behavior.

For the purpose of facing an investigator in the production of confrontation. It is to eliminate the essential contradictions, and as a result - the achievement of truth. Conversely, if the defaulting party confrontation trying to psychologically influence the truthful party to replace his testimony on false, even formally applying a legitimate methods of influence, the overall aim of such an impact - obstruction of investigator

in achieving truth that is undoubtedly immoral. Therefore, we believe that in the case of legitimate psychological impact of unfair participants of such impacts should be prevented by the investigator.

As already noted, the psychic communication during the confrontation develops not only between the interrogator and the interrogated persons, but also directly between them. The participants of the confrontation relate to each other not only as persons holding certain procedural status. Their interpersonal relationships are much more diverse. During the interaction take their life positions and views, temperament and character. The more that the holding of a confrontation takes place on a special emotional background.

Central to such a dialogue takes mental impact entities communicate with each other. Indeed, the purpose of the confrontation is the truth, for which there is a need to intervene with the PA person giving false evidence, in respect of which have developed significant contradictions. Here, the second participant of confrontation can be considered as a specific means of influence. Therefore, an essential attribute of the confrontation as a psychic communication is an active influence on the part of its second member in the person giving false testimony as obviously, and through the power of honest error.

Direct perception of the person authorizing the objective evidence, communication, personal contact with him have a very strong impact, resulting in unfair participant conviction of the need to change the behavior of the line will be better and more effectively. Statement truthful testimony directly party to the event greatly increases their importance and psychological value.

At the same time, the investigator must avoid uncontrolled contact between the interrogated that necessitates constant monitoring. In the event of a very typical day confrontations debate investigator is required to prevent the often accompanied by threats, insults, and other forms of illegal psychological pressure.

The basis of the psychological impact of an investigator at the confrontation acts establishing and maintaining psychological contact. This is increasingly important to maintain it. This is because the confrontation is carried out only after the interrogation, in which psychological contact has already been established. Indeed, psychological contact is a dynamic process, which is installed in the production of questioning and should develop in the future. Therefore, the investigator should make every effort for its development, maintenance and removal of barriers, interference in communication.

At the confrontation teenager giving false testimony, aware that the other party to hear how the events took place in real life, and in the presence of the investigator may make substantial amendments. This makes it extremely tense mental state, because it is not only going through an internal process, the creation of false evidence, but also counteracts both the investigator and the second member of the investigative action.

On the other hand, the second participant, including a minor, damning unfair participant in criminal activities or in a lie, is also experiencing great emotional stress, because it makes it in his presence. This circumstance requires the creation of an environment in which he will feel psychological support investigator.

We must not forget that a certain psychological impact and have more participants in the confrontation - protector, teacher, psychologist, legal representative, operational staff. This fact also be taken into account in determining the psychological basis of a confrontation involving juvenile defendants.

Thus, the confrontation is a specific psychic communication between a large number of participants. Specificity of the mental communication requires not only knowledge of the investigator psychology, but also a skillful use of legitimate psychological impact in all its diversity. Therefore, the investigator must possess not only professional skills, but also certain psychological qualities.

#### **Literature:**

1. Kovalev GA System-Environmental Analysis - Moscow, 1989
2. EL Dotsenko Manipulation: the phenomenon, mechanism protection - SPB 2003.
3. Makarenko IA Theoretical bases of the criminalistic doctrine about the person of the minor defendant: Proc. Collec. Ufa: RIO BashSU 2006

## CONTEMPORARY ISSUES OF APPEAL AND SOLUTIONS

**Zikratova Ekaterina Igorevna**

3rd year student Department of Criminalistics  
Siberian Institute of Business,  
Management and Psychology  
Russia, Krasnoyarsk

**Voronin Sergey Eduardovich**

scientific adviser  
Doctor of Law, Professor Krasnoyarsk state  
agricultural University

**Abstract:** The article deals with some problems of the appeal proceedings in the modern Russian criminal trial. Showing fundamental differences of Appeal on the appeal proceedings.

**Tags:** appeal, process, complaint.

The Constitution of the Russian Federation (Art. 3, Art. 50) stipulates that everyone convicted of a crime has the right to review of a conviction in his criminal case by a higher court. [1]

This fundamental principle of criminal proceedings is enshrined in Art. 19 Code of Criminal Procedure as the rights of participants in the process to appeal procedural actions and decisions of the court, prosecutor, investigator, body of inquiry and the investigator, including the right of a convicted person to appeal against the judgment (or other judicial decision) by a higher court. [2]

The criminal trial of Russia are two types of verification of legality set, validity and fairness of court decisions in criminal cases, which have not entered into force - the appeals procedure and the revision of the judgment on appeal. In contrast, the appeal proceedings in the appeal proceedings is present not only in the beginning of the Audit review of the decisions of the trial court, but also a full examination of the merits: as expected, with a judicial investigation, judicial debate and the last word of the defendant. It has long been in the legal literature, there is a fierce debate: should it be considered a court of cassation act of justice? We believe that there is, as a question of justice, as such, does not go in the appeal proceedings. In the appeal proceedings, in our opinion, there is a revision, review of decisions which have not entered into force, without any research evidence and initiation of additional materials of the criminal case. Quite a different situation in the appeal proceedings, which held a full judicial investigation, which ends with the sentence - that is, an act of justice in its purest form.

Recently, the Code of Criminal Procedure have been substantially amended. The purpose of the amendments is, in particular, the improvement of the Institute of legality and validity of the test, the judicial decisions taken in the appellate procedure. Achieving this goal, in our opinion, it is impossible without improving the procedural rules of verification of the legality and validity of the procedure adopted in the criminal trial court acts, as well as the revision of the rules of judicial acts. [3, p.163]

It appears that significant additional safeguard against miscarriages of justice is to provide a superior court the possibility to verify the legality, validity and fairness of the decisions not on the basis of written materials, not formally, but in essence - with a new full examination of evidence.

As is known, the institution of appeal in criminal proceedings designed to ensure the stability of judicial decisions, the rapid correction of errors; protection of the rights and freedoms of persons affected by the decision of the Court of First Instance. And here, we believe, is very high the role of the prosecutor, who can not only initiate the appeal proceedings as the prosecution, but also takes an active part in the proceedings, including the evaluation of new evidence in the case. [4, p.171]

In accordance with the recently introduced changes in the Code of Criminal Procedure set uniform for all courts of general jurisdiction of the appellate procedure of inspection is not entered into legal force of judicial decisions in criminal matters while maintaining the existing system of judicial system of courts of general jurisdiction. Appeal instance will now serve the District Court (in the magistrate decision), the judicial board on criminal cases of the Supreme Court, courts, territories, regions and districts (including standalone), federal cities, the district (naval) military court (the decisions of district and equivalent courts), as well as the Judiciary and the Military Collegium of the Supreme Court of the Russian Federation (the decisions of the courts of the Russian Federation and equivalent courts) (Art. 389.3 CPC RF).

It provides a detailed regulation of the procedure of appeal against court decision on appeal, and of the court of appeal. In particular, address the issues relating to the right of appeal to appeal, listed legal

acts subject to appeal to the appeal, as well as defined the procedure and terms of bringing appellate complaint or application and requirements to them, subject and date the appeal proceedings, the order of adjudication of the criminal case appeal instance, cancel or change the base of the judicial act, the limits of the rights and views of appellate court decisions, the requirements for appeal verdicts, decisions, decisions. [6, p.254]

In accordance with Art. 389.1 Code of Criminal Procedure the right to appellate review of the judgment belongs to the convict, the acquitted, their defenders and legal representatives, the public prosecutor and (or) higher prosecutor, the victim, the private prosecutor, their legal representatives and representatives, and other persons to the extent in which the contested judgment affects their rights and legitimate interests, as well as civil plaintiff, civil defendant or their legal representatives and representatives in respect of the civil action.

Thus, this right should be vested with the suspect and the accused, their lawyers and legal representatives in terms of appeal against court decisions in the course of pre-trial proceedings; the person against whom the case dismissed; the person against whom the proceedings are conducted or conducted the application of compulsory medical measures, their defenders and legal representatives.

Part 3 of Art. 389.2 defined intermediate court decisions to be appellate review, which include the decision of the magistrate on the return of the application the person who submitted it, or refuse to accept the application to production; court order or decision on measures of restraint or to extend the expiration date of a person to a medical or psychiatric hospital for forensic examination, to suspend the criminal proceedings, the transfer of criminal proceedings to another jurisdiction or to change the jurisdiction of the criminal case of the return of the criminal case prosecutor; other judicial decisions affecting the citizens' rights to access to justice and to be tried within a reasonable time and prevent further movement of the case, as well as private ruling or order. [5, p.243]

However, we should recognize that, unfortunately, has remained until the end of the legislator has not worked a number of issues related to the appeal proceedings. There are some contradictions in the powers of the appellate court and the parties in the implementation of control procedures for appeal. Each of these questions requires its own independent resolution because, in one way or another, can affect the optimal operation of the court of appeal instance, designed by rightly judicial review of judicial decisions in the judicial protection of constitutional rights, freedoms and legitimate interests of citizens. [7, p.42]

Of course, the above does not exhaust all the problems and questions of the court of appellate jurisdiction in criminal matters.

It seems that life and judicial practice, though, will make the necessary amendments and additions to the provisions of Code of Criminal Procedure governing the appeal proceedings in the criminal process.

#### **Bibliography:**

1. The Constitution of the Russian Federation (rev. On 14.10.2005) // WG on 25.12.1993, number 237, NW from 17.10.2005, number 42, Art. 4212.
2. Criminal Procedure Code of the Russian Federation: text as amended on September 15, 2015. - Moscow: Eksmo, 2015. - 288s.
3. Voronin, SE Dialogues of the criminal trial of Russia: Monograph / SE Voronin. Khabarovsk: Publishing house of the Far East law institute of Ministry of Internal Affairs of the Russian Federation. 2007.176 with.
4. Voronin, SE The public prosecutor in criminal proceedings as a party: /S.E Monograph. Voronin, NA Kiriyyenko. Birobidzhan: Publishing House of the Amur State University. 2012.196 with.
5. Bashkatov LN, wind GN Dontsenko AD Criminal procedure / psychology. prof. Debt AI - M .: Norma / Infra-M, 2002. 458 p.
6. Criminal Procedural Law of the Russian Federation / Otv.red. PA Lupinskaya. -M .: Jurist, 2008. 434 p.
7. Voronina, NF. Overcoming conflicts of law in appeal proceedings / NF Voronin // Criminal Procedure. Moscow: Publishing House "Arbitration practice". 2005. №

## PROBLEMS OF confrontation AND SOLUTIONS

**Kalugina Svetlana Andreevna**

3 rd year student Department of Criminalistics  
Siberian Institute of Business,  
Management and Psychology  
Russia, Krasnoyarsk

**Voronin Sergey Eduardovich**

Scientific adviser

Doctor of Law, Professor of the Krasnoyarsk State Agrarian University

**Abstract:** The article deals with individual production confrontation. The author shows the place of confrontation in the system of investigative actions.

**Keywords:** interrogation, rate, investigative.

Crime Investigation currently account carried out in extremely difficult conditions, because society is undergoing a fundamental change in the ideological, political and economic priorities. [1, c.27-34] The crime situation has worsened by migration processes taking place around the world, as well as the increased level of religious extremism, which puts an imprint on almost all types of crime. [2, p. 132] All of this, of course, can not affect the change of social relations to which the investigators need to adapt to the success of criminal investigations, constantly improving their skills.

The problem of the effectiveness of the preliminary investigation - this is primarily a problem of the effectiveness of investigative actions as a procedural way of collecting, testing, evaluation and use of evidence.

The decision of the criminal justice problems in the stage of preliminary investigation determined not only by the steady due process procedures, but also because as a qualified investigators organize their work. Success in the investigation of crimes depends on the proper organization and conduct of investigative actions, significant among which is the confrontation, the results of which are in addition to questioning common source of evidence in criminal cases.

Under current law, a type of investigation is the production of confrontation, which is regulated by Art. 188, Art. 189 and Article 192 Code of Criminal Procedure.

However, the Criminal Procedure Code of the Russian Federation does not provide a clear definition of the notion of confrontation, and among scientists there is no single view of the procedural nature of the confrontation, so the matter can be referred to the discussion. The proposed definitions in the literature do not always accurately and completely reflect the essence of this concept.

Some see a confrontation as a kind of special form of interrogation and the following definition of the investigative procedure, this Strogovich MS, which has seen its bottom line, "while questioning two persons in the presence of each other about the same circumstances" [3, p. 100]. However, this concept was not mentioned a particular purpose of the confrontation, and thus was its identification with the interrogation.

Another group of scientists defines confrontation "as an interrogation in the presence of each other two persons previously questioned about the circumstances in which the testimony of the parties, there are significant contradictions in order to establish the truth on controversial circumstances." [4, p.88]. This definition also does not disclose the full nature of the confrontation, because that is what happens with the identification of its interrogation without revealing the special legal nature of this institution.

The most detailed definition of confrontation gives Konovalov VE, which we, in general, agree. She considers it "... as the investigative action which has the task of obtaining evidence in the case and which consists of the simultaneous interrogation of two persons (two witnesses, two of the accused, the witness and the accused) the law enforcement bodies in order to address the significant contradictions existing in the testimony of those persons and establish the truth "[5, p.58]. This definition contains the correct purpose of confrontation, an attempt to establish the number of participants of the investigative action. But even here there are some inaccuracies and omissions. Despite the fact that Konovalova EV relates to confront an independent investigative actions, the provision in the definition is not fixed. Among those, between which is possible to conduct a confrontation, you must also specify the victim and the suspect. In addition, the definition does not include a provision that the confrontation can be made only between those previously interrogated.

The relevance of an accurate definition of the essence of the confrontation caused by the scientific debate on the issue, what tactics and methods to be applied in its production: tactical rules of interrogation or independent, separate from the interrogation techniques and methods. We believe that the techniques and methods of confrontation differ significantly from the interrogation techniques. They are more complex psychology at least in connection with the increase of the participants of the investigative action. Confrontation - this is the only investigative action, in respect of which valid analogy of the criminal procedure law, as the law does not mention the category of participants in criminal proceedings, which can confront. It can be victims, defendants, suspects, witnesses and questioned earlier in the testimony that there are significant differences. [6, p.99] In our view, must be supplemented by Article 192 of the Criminal Procedure Code of the Russian Federation demanding the feasibility of confrontation, as drawn out of place and wrong time, it can significantly worsen tactically situation investigation in the criminal case.

Confrontation - an independent procedural action, carried out with the aim of establishing the truth of the case, subject to the unity of the object, the subject, location, timing and documenting the conditions of equality of perception investigator interrogated questions and indications of each other. Confrontation is to alternate the interrogation in the presence of each other several previously questioned, about the same facts of the case, the number of persons in criminal proceedings, analysis and continuous comparison (comparison) received indications.

During the confrontation, the investigator should be aware of the psychological environment in which the confrontation takes place. Conflict is an integral part of each confrontation. Its aim to eliminate this confrontation. In this regard, significant knowledge of the investigator psychological characteristics of persons involved in the confrontation, the use of legitimate psychological impact on its participants, control of the psychological influence exerted by members of the confrontation in the investigator himself, possession of the situation as a whole.

The purpose of the confrontation can be considered achieved only if the contradictions are eliminated on the basis of evidence that reflect the true state of affairs, that is, such testimony, which is not only true subjectively, but also objectively true. It is necessary to bear in mind the possible negative results of this investigative action when one of the participants in the confrontation, which gave truthful testimony earlier, change them on false or intentionally, or under the influence of another party to the confrontation.

Another negative consequence may be a change of indications both parties confrontation and giving them new ones, too, false testimony, but do not contradict each other. However, as a result of the confrontation the investigator can obtain not only information relevant probative value, but also the attention orienting nature contributing to the construction and verification of investigative leads.

One common error is the failure to conduct investigative confrontation at a time when the situation is indicative of its expediency, because of the fear investigator produce results adverse to the already existing in the evidence base. This error frequently involves a distortion of the truth, or to difficulties in establishing it. The solution to this problem, we can see in the following. In order to improve the procedural independence of the investigator, must be supplemented by Article 192 Part 1 of the Criminal Procedure Code of the Russian Federation with the words: "If the testimony previously interrogated persons, there are significant contradictions and there is such a need in the framework of the criminal case under investigation, at the discretion of the investigator may be carried out confrontation."

### **Bibliography:**

1. Voronin, SE Theory and practice of investigation of crimes in the sphere of migration security: Monograph / SE Voronin, IV Nikitenko, DD Kaplun, VN Skorik. Krasnoyarsk: Publishing House of the Siberian Institute of Business, Management and Psychology. 2015.488 with.
2. Voronin, SE Psychotypological approach in the system of forensic expertise: Monograph / SE Voronin, RL Ahmedshin, TA Alekseeva. Krasnoyarsk: Publishing House of the Siberian Institute of Business, Management and Psychology. 2015. 323 p.
3. Criminal procedure. Textbook for law courses / MS Strogovich .; Ed .: VJ Wyszynski. - M .: Publishing house "Owls. Legislation". 1934. - 323 c.
4. Confrontation: Toolkit / AB Solovyov. - M .: Publishing house "Yurlitinform". 2006. - 160 c.
5. Konovalov VE Production Tactics confrontation / VE Konovalov // Scientific notes. - Vol. Number 6. Kharkov: Publishing House of the Kharkiv Law Inst, 1955. - 364 p.
6. Voronin, SE Dialogues of the criminal trial of Russia: Monograph / SE Voronin. Khabarovsk: Publishing house of the Far East Institute of the Russian Interior Ministry. 2007. 176 p.

# SOME QUESTIONS OF QUALIFICATION OF SEXUAL CRIMES AGAINST MINORS

**Kaminska Veronica V.**

**4th year student of the Department of jurisprudence**  
Achinsk branch of the Krasnoyarsk State Agrarian University  
Russia, the city of Achinsk

**Teplyashin Pavel Vladimirovich**  
supervisor

K. Yu.N., associate Professor of criminal law and criminology  
Achinsk branch of the Krasnoyarsk State Agrarian University  
Russia, the city of Achinsk

**Abstract:** This article discusses the problems arising when qualifying and establishing the elements of crimes stipulated by articles 133, 134, 135 of the criminal code.

**Keywords:** "zavidovici", qualification of the crime of indecent assault of an intellectual nature, violent actions of a sexual nature.

Analyzing article 133 article 134 and 135 of the criminal code of the Russian Federation, enforcement authorities face the problem is the establishment of signs of the subjective side.

In the previous edition of the criminal code of the Russian Federation mandatory feature of the subjective side of article 134 and 135 of the criminal code was a sign, which pointed to a deliberate attitude of the perpetrator to the age of the victim. The term "zavidovici" means a clear knowledge about something, certainty in anything. [1] the Perpetrator must specifically know that the person against whom he commits illegal acts, has not reached the age of sixteen. If the person was mistaken about the age of the victim, it would eliminate the possibility of criminal prosecution under article 134 and 135 of the criminal code.

Changes in 2012 the criminal law has excluded this feature from the offences of article 134 and article 135 of the criminal code. Thus the Judicial Board on criminal cases VS the Russian Federation came to the conclusion that it is necessary to prove criminal intent of the perpetrator, including in relation to the age of the victim.

In this regard, it is interesting the following example from law enforcement. C. convicted under paragraph "a" of part 3 of article 131 of the criminal code, part 1 of article 116 of the criminal code, part 1 of article 119 of the criminal code, paragraph "a" part 3 St. 132 the criminal code. The appeal submission stated that the sentence is illegal and unreasonable in connection with wrong application of criminal law. So, P has committed the rape of a 13-year-old K. these actions were qualified under paragraph "b" of part 4 of article 131 of the criminal code (rape against a helpless victim under the age of 14). Perekvalificirovat the offense in paragraph "a" part 3. 131 of the criminal code as rape against a minor, the court has applied the evidentiary fact of awareness S. the actual young age of the victim.

Judicial Board on criminal cases VS the Russian Federation 31.01.11 of the year appeal from the dismissed, and the sentence - without changes on the following grounds, as in C. the hearing showed that authentically knew about age of K., thought she was 14 - 15 years. As found by the court, the victim does not testify to the obviousness of her young age. The court's conclusion is fully consistent with the requirements of article 25 of the criminal code. From this it follows that the prosecution had to prove the existence of a S. intent to rape victim under the age of 14. However, during the preliminary investigation, this issue has not been investigated.

As a result the Judicial Board VS of the Russian Federation concluded that, because S. authentically knew that K. had not reached the age of eighteen, the qualification by the court are correctly defined.[2] the same is addressed and the situation of imputing articles 134, 135 of the criminal code.

As rightly pointed out by G. A. Esakov, analiziranje the question of whether the prosecution can prove certain knowledge of the age "zavidovici" or it is enough to prove that the offender has been accepted as a possible fact is not a person of appropriate age, remains open today.

On the one hand, in the analyzed solution of VS of the Russian Federation mentions that "given the fact that S. authentically knew that K. had not reached the age of eighteen, the qualification of the rape of a minor court correctly defined", i.e. it requires the establishment of reliable knowledge about the age of the injured person. However, on the other hand, remains unexplained and unrealized objective of the legislator, excluding "zavidovici" from the text of the criminal code. [3]

Misconceptions of the subject that a person specified in the legal age should be allowed by the General rules on the actual error related to the objective elements of a crime. If the subject mistakenly believed that the person with whom he commits sexual intercourse or other actions of sexual character, has already reached the age of sixteen, no intent, and it is not subject to criminal liability.

One of the discussion is the question arising at qualification of crimes under article 134 and 135 of the criminal code, on assigning lewd actions of intellectual nature with a person under the age of 12 years, for violent sexual actions committed against a person who is in a helpless condition.

Some researchers expressed the view that it is not involving violence or threat of such injury indecent assault of an intellectual nature (exposure of genitals, demonstration of pornographic films, etc.) committed against a person, by reason of infancy, mental or other illness or for other circumstances (for example, being in a state of hypnosis) certainly could not understand character and value made with them action, can't be covered by article 132 of the criminal code on the basis of the Commission other than sodomy and lesbianism, sexual assault with use of a helpless condition of the injured person. The exceptions are those cases where a minor or other person as time be able more or less to adequately assess the nature and value committed these actions.

The problem is obvious, the degree of public danger and harm for the victim to forced sexual assault is higher than in a non-violent lewd actions of intellectual character. However, identifying the problem, the authors do not offer specific solutions, saying only that the analyzed actions cannot be qualified under article 132 of the criminal code.

In our view, to accept this difficult position. First, in analyses not allow the exclusion of criminal-legal estimation of damage to mental and moral development of such juvenile. Secondly, in such a case, there is a need to conduct psychological-psychiatric examination in order to establish the harm exerted on the immature worldview of a minor (to establish that "an infant is in a state more or less adequately assess the nature and value of committed specified acts"), and the clarification of this issue is problematic. Assign the appropriate examination is possible only in a criminal case, and criminal acts are committed before the criminal case, and often takes a long period of time between the crime and the examination. In this connection, to establish the degree of impact of criminal acts on the psyche and development of the juvenile at the time of their Commission is not always possible.

Based on the above we can conclude that to establish the subjective element in these norms, the legislator requires to prove criminal intent and establish reliable knowledge about the age. At violent acts of sexual character of public danger is higher than in a non-violent lewd actions of intellectual character, therefore, taking into account the psychological harm intelligent lascivious acts against persons under twelve years of age, you must qualify under paragraph "b" of part 4 of article 132 of the criminal code.

#### **References:**

1. Dal V. I. Explanatory dictionary of living great Russian language. Modern spelling: In 4 volumes, Moscow: AST, -2006. Vol. 2. P. 536.
2. Definition of Judicial Board on criminal cases of the Supreme Court of the Russian Federation of 31 January 2011 № 3-O11-2 // SPS "Consultant Plus".
3. Esakov G. A. awareness of the age of a victim of sexual offences: the position of the judicial practice // Criminal law. - 2011.- No. 6.- S. 16.



## SOME QUESTIONS OF QUALIFICATION OF SEXUAL CRIMES AGAINST MINORS

**Kaminska Veronica V.**

4th year student of the Department of jurisprudence  
Achinsk branch of the Krasnoyarsk State Agrarian University  
Russia, the city of Achinsk

**Chervyakov Mikhail Eduardovich** supervisor

K. Yu.N., associate Professor of criminal law and criminology  
Achinsk branch of the Krasnoyarsk State Agrarian University  
Russia, the city of Achinsk

**Abstract:** this article discusses the problems in determining, through forensic characteristics, external data of the individual offender with the help of dermatoglyphics

**Keywords:** forensic dermatoglyphics, "skin ridge" hidden left-handedness, papillary patterns

Dermatoglyphics study and fingerprinting comb a person's skin, but goals and objectives do not match. The main objective of fingerprinting is to identify and dermatoglyphics – the study of biological nature of man.

Dermatoglyphics - exploring signs of patterns on the skin of the feet and palms of the hands, where the skin is covered with scallops – papillary patterns, unique and different for each person, that does not change throughout life. Due to such peculiarities in forensic science identify the identity of skin patterns. Papillary patterns of the skin easily categorized, and most importantly for dermatologist.

The term "forensic dermal-glyphic studies" was first proposed by V. V. Yarovenko, but the author gave a definition to this new concept. [1] Forensic dermatoglyphics explores all the features of the top layer of the skin that in addition to diagnosing and identification, defines the properties of the body and determine the character traits which are necessary for carrying out of operatively search actions.

Over many years of research collected considerable material, but further development of forensic technology requires the development and synthesis of recommendations of the collected material.

The main problem, which deals with dermatoglyphics is the study of biological nature of man. So much attention was paid to the problem of establishing links between the features of papillary pattern and personality characteristics.

Normal physiological and anatomical characteristic of a person involves their structure with papillary patterns. Papillary patterns are part of the nervous system, as their development occurs at the same time, which are formed already in the twelfth week the fetus.

As researchers say: "the papillary pattern is turned inside out gene". After all, "ridge skin comes from the same embryonic rudiments and structure of the Central nervous system". [2] a Direct correlation of the structure of the papillary pattern with the structure of the Central nervous system is already objectively proven, for example, studies of asymmetries of the cerebral hemispheres and the asymmetry of the papillary patterns. It is known that patterns of greater complexity often placed on the fingers of the right hand. The reverse variant occurs much less frequently - about 10% of the population and is more inherent motor left-handers. In addition, there are cases when more complex patterns are on the fingers of the left hand, and the person is right handed the motor; this option, according to various sources, occurs in 4-5% of the population. N. N. Bogdanov calls it a hidden levesta. [3]

Latent left-handedness – even distribution of Central nervous system functions between the two hemispheres, such people think of as Lefty, but write with the right hand.

Papillary patterns are used to retrieve different information when disclosing and investigation of crimes. The researchers found that there is a connection between papillary patterns and external characteristics of the person such as gender, height, age, etc.

Growth and sex of the person is determined by the size of papillary pattern, because according to statistics, a man is above women, and therefore the size of the traces more.

To determine the age of a person first studied mark, then the location of the fingerprints, and then studied each track individually. And then concludes how the finger of a hand leaving a trail, the type, the type of papillary pattern, and the presence of special features (scars, cuts, the absence of any phalanges of the finger)

In determining age based on a qualitative characteristic. It is estimated that children aged 8 to 12 years in the segment equal to 5 mm fits 12-13 papillary lines, in adolescents 13 to 17 years — 10-12 lines, and finally adult persons aged 18 years and older is 9-10 lines. It is also known that in old age is often in the traces clearly shows the papillary pattern due to the "flattening" of the papillary lines on the fingers and also dramatically increases the number of white lines. [4]

For sex determination, scientists rely on quantitative characteristics. The size of the hands and fingers men and women are different. The large size of the fingerprint shows that he belongs to the man, and the small fingerprints indicate that they left the woman, but it's not an accurate assumption because the small print may say that its left child. You also need to pay attention to the "hardness" and shape of the pads.

Based on the above it can be concluded that information contained in fingerprints can tell a lot as well and to help law enforcement agencies identify and finding the perpetrator.

But unfortunately such methods are not applied in practice, they just confirmed by scientists in various fields: criminology, medicine, etc.

#### **References:**

1. Yarovenko V. V. Problems of application of dermatoglyphical studies in criminology : author. dis. ...d-RA Jurid. Sciences. – Ekaterinburg, 1996. – P. 40.
2. Titarenko, A. G. Criminalistic characteristic of the external data of the individual offender with the help of dermatoglyphics [Text] / A. G. Titarenko // State and law: theory and practice: proceedings of the international. the absentia. scientific. Conf. (Chelyabinsk, April 2011). — Chelyabinsk: Two Komsomolets, is 2011. - S. 195.
3. Bogdanov, N. N. The Williams syndrome — a model of genetically determined right-hemisphere dominance [Text] / N. N. Bogdanov, V. G. Solonichenko // Physiological journal. I. M. Sechenov. - 1995. - No. 8. S. 25.
4. Bogdanov N. N. Dermatoglyphics-left writing [Text] / N. N. Bogdanov // Questions of psychology. - 1997. - No. 2. - P. 87.

# TO THE QUESTION OF DISCRETION IN CONSTITUTIONAL LAW

**Sergei A. Kokov**

2nd year undergraduate directions Public authority legal basis for the organization and activities  
Law institute Siberian Federal University  
Russia, the city of Krasnoyarsk

**Ivan V. Teplyashin**

Research supervisor  
Candidate of Law, associate professor of the department  
constitutional, administrative and municipal Law  
Law institute Siberian Federal University  
Russia, the city of Krasnoyarsk

**Abstract:** In the article the analysis of positions of the domestic jurists on the theme of appreciation of the constitutional law, and draws some general conclusions that contribute to a common understanding of discretion in constitutional law.

**Keywords:** discretion, in the discretion of the law, discretionary relationships, realization of discretion, constitutional law.

Применение права является одним из особых видов государственной юридической деятельности, которая связана с той или иной долей усмотрения. Усмотрения при применении права позволяют учитывать все огромное многообразие жизненных ситуаций. Это предполагает определенную долю свободы субъекта применения права, что в свою очередь не означает, что предоставляемая свобода является безграничной, ведь от усмотрения способствующего разрешению практической ситуации законным и наиболее оптимальным способом до превышения полномочий и произвола всего лишь один шаг.

Вопрос, связанный с усмотрениям в праве не нов, и довольно широко обсуждаем, тем не менее, целостного понимание данной правовой категории ни в отечественной, ни в зарубежной правовой науке не сложилось. Как отмечает А.А. Малиновский: «Вопрос об усмотрении в праве является достаточно сложным и дискуссионным. Сложность его обусловлена прежде всего многогранностью самого понятия права, а дискуссионность продиктована отсутствием единства в подходах к пониманию категории усмотрение» [1, с.102].

С философско-правовой точки зрения право представляет собой равную для всех меру свободы [3, с. 22-28]. Из этого можно сделать вывод о том, что свобода не является безграничной, так как она имеет свои определенные границы или пределы, которые устанавливаются объективным правом. В рамках этих установленных границ субъект права является совершенно свободным. И в этих границах он и осуществляет свое усмотрение.

Категория «усмотрение» является многоаспектной. И что бы составить определенное представление о ней в первую очередь необходимо разобраться со значением самого слова «усмотрение». Согласно словарю С.И. Ожегова термин «усмотрение» означает «решение, заключение, мнение» [4, с. 771]. В толковом словаре русского языка Д.Н. Ушакова усмотрение рассматривается, как «действие, решение или склонность. Действовать, решать по собственному желанию, а не по закону, произвол» [5. с. 711]. В результате этого, семантическое значение слова «усмотрения» включает в себя субъективное мнение, заключение, а так же решение лица действовать по своему желанию, в своих интересах.

На протяжении всего исторического развития государственно-правовых явлений очень часто возникает вопрос о роли усмотрения в политико-правовой жизни общества, а также исключение из механизма правового регулирования общественных отношений. В различные эпохи мнения склонялись как в пользу существования правоприменительного усмотрения, так и против его использования. М.К. Маликов в свое время говорил: «По нашему мнению, пока существует политико-правовые отношения, всегда будет и реализация индивидуальной и коллективной воли, следовательно, и усмотрение правоприменителя» [2, с. 36 ].

Одним из основных предметов регулирования конституционного права России являются общественные отношения, связанные с организацией государства и функционированием публичной власти. При этом конституционное право устанавливает основы осуществления публичной власти всех видов, а наиболее значимые ее аспекты регламентирует подробно.

Вследствие наделения должностных лиц публичной властью они получают возможность в предусмотренных законом случаях принимать решения, основываясь лишь на своем внутреннем усмотрении. Указанная особенность публичной власти в российской и зарубежной правовой науке обозначается понятием «дискреция».

В то же время наделение должностных лиц дискреционными полномочиями создает опасность злоупотребления полномочиями в случае, если не установлены четкие границы и принципы осуществления дискреционных полномочий или отсутствует эффективная система контроля за их реализацией, а так же если использование должностных полномочий в личных целях в правовой культуре общества рассматривается в качестве обыденного, нормального явления, то возникают условия для использования должностным лицом своей власти, своих дискреционных полномочий вопреки задачам, решение которых возложено на него обществом и законом.

В заключение отметим, что проблема усмотрения в конституционном праве мало изучена. Недостаточно исследованными представляются такие ее аспекты, как соотношение свободы и усмотрения, взаимообусловленность интереса, субъективного права и усмотрения, законодательное установление пределов усмотрения. От своевременного решения данных проблем зависит качество применения действующего законодательства

The application of the law is one of the special types of public legal activity, which is associated with varying degrees of discretion. Of discretion in applying law to notice all the huge variety of life situations. This implies some measure of freedom subject to the application of law which in turn does not mean that freedom is limitless, because of discretion from contributing to the resolution of practical and legal situation in the best possible way to abuse of power and tyranny is just a step.

The issue of the discretion in the law is not new and quite widely discussed, however, a holistic understanding of this legal category neither in domestic nor in foreign legal science has not developed. As noted A. A. Malinovsky: «the Issue of discretion in the law is rather complicated and controversial. The complexity is primarily due to the multifaceted nature of the concept of rights, and the controversy is dictated by the lack of unity in approaches to understanding the category of discretion,» [1, p. 102].

From a legal philosophical point of view, law is equal for all the degree of freedom [2, с. 22-28]. From this we can conclude that freedom is not limitless, as it has defined boundaries or limits, which are set by objective law. Within these established boundaries, the entity is completely free. And within these limits he was exercising its discretion.

The category of «discretion» is multidimensional. And what would be some indication of it in the first place it is necessary to understand with the meaning of the word «discretion». According to the dictionary of S. I. Ozhegov, the term «discretion» means «a decision, conclusion, opinion» [4, p. 771]. In an explanatory dictionary of the Russian language D. N. Ushakov discretion is viewed as «action, decision or inclination. To act, to decide on their own, and not under the law, arbitrariness» [5, p. 711]. As a result, the semantic meaning of the word «discretion» involves subjective opinion, conclusion and decision of a person to act on their desire, in their own interests.

Throughout the historical development of state and legal phenomena very often the question arises about the role of discretion in political and legal life of society as well as exclusion from the mechanism of legal regulation of social relations. In different epochs of opinion inclined in favor of the existence of enforcement discretion, or against its use. M. K. Malikov at the time, said: «In our opinion, until there is a political and legal relationship, always will be and implementation of individual and collective will, therefore, and judicial discretion» [1, p. 36 ].

One of the main objects of regulation of constitutional law are the public relations connected with the organization of the state and functioning of public authorities. The constitutional law sets the framework for the implementation of public authorities of all kinds, and the most significant aspects of it regulates in detail.

Due to the vesting of officials of public authorities they are empowered in cases stipulated by law to make decisions based only on its own internal discretion. This feature of public power in the Russian and foreign legal science denoted by the term «discretion».

At the same time granting officials discretion creates the danger of misuse: if you do not set clear boundaries and principles of exercise of discretion or there is no effective system for monitoring their implementation, as well as if the use of official powers for private purposes in the legal culture of a society is seen as an everyday, normal occurrence, then there are conditions for use of official its power, of its discretionary powers against the tasks which entrusted to it by society and the law.

In conclusion, we note that the problem of discretion in constitutional law are poorly understood. Insufficiently studied are presented such aspects as the relationship between liberty and discretion, interdependence of interest, subjective right and of discretion, to enact legislation defining the limits of

discretion. The timely solution of these problems depends on the quality of application of existing legislation.

**Bibliography:**

1. Malinovsky A. A. Discretion in law // State and law. – M.: Science, 2006, № 4. – P. 102-104.
2. Malikov M. K. Actual problems of enforcement: study guide / M. K. Malikov. – Ufa: Publishing house of Bashkir state University, 1992. – 50 p.
3. Nersesyants V. S. The philosophy of law. Textbook for universities / V. S. Nersesyants, M.: Norma, 1997. – 652 p.
4. Ozhegov S. I. dictionary of the Russian language. – M.: Sov. Encyclopedia, 1972. – 847 p.
5. Ushakov D. N. Explanatory dictionary of Russian language / Under edition of D. N. Ushakov. – M: Adelante, 2013. – 800 C.

# WHETHER THE MATHEMATICS IS NECESSARY TO LAWYERS?

**Kocheshkov Alexander Vladimirovich**

Student of 1 course of department of the theory and history of state and law  
Achinsk branch of Krasnoyarsk state agricultural university  
Russia, city of Achinsk

**Sorokun Pavel Vladimirovich**

Research supervisor  
к.и.н., associate professor of the theory and history of state and law  
Achinsk branch of Krasnoyarsk state agricultural university  
Russia, city of Achinsk

**Summary:** In this article the importance of mathematical knowledge in professional activity of lawyers is analyzed. The special attention is paid to use of skills and knowledge in the field of mathematics for a profession the lawyer. In work it is used historical examples from life, education and professional activity of outstanding lawyers and mathematicians. Priority of level of teaching mathematical disciplines and knowledge for lawyers is emphasized.

**Keywords:** mathematics; right; value; quality; competence; intuition; truth; knowledge; justice.

Now a large number of young people choose a profession the lawyer. It is connected first of all with a high salary, an opportunity it is correct to be guided in a legal framework of the state, to use legal knowledge in many spheres of public life.

It is known that lawyers, as well as all humanists, aren't amicable with mathematics.

Many jurists, when they are asked about the choice of legal education, playfully refer to lack of mathematics among subject matters in legal higher education institutions. In this jocosity a certain plain truth as if she wasn't hungry us mind seeks to deny - that Wednesday in which feels comfortable.

Distinction in algorithms of a structure of higher nervous activity of lawyers and mathematicians, most likely, take place to be, let and at very thin level. In use we often use expressions "mathematical mind", "legal thinking" and is quite reasonable, it is necessary to tell as these expressions allow us to emphasize, shade something special in the characteristic of higher nervous activity of this or that subject specializing in the intellectual activity in a certain sphere of public knowledge.

But whether the mathematics and law are so incompatible? Can be to eat the bases to understand mathematical knowledge as the integral component of legal thinking?

We have got used to believe that mind of the humanist is saturated images. The best lawyers try to obtain the brilliant victories in trials, relying in many respects on emotional excitement of audience and court. We will remember Cicero who was skillfully owning art of the figurative speech causing strong emotional feelings of people on which the destiny of his clients and the celebration of own position which was trying to obtain by means of this reception depended. Or Fedora Plevako with his well-known speech in protection of the old woman who has stolen an old teapot in municipal kitchen. Such not to consider examples in the history of law. [2]

Meanwhile, figurativeness far doesn't settle all content of legal thinking. Without mathematical representation about required, and in the right it is justice as truth, the law is helpless. From under her power the rational balance of the public relations escapes. For example, at the earliest stages of development of the right in Ancient Rome emotional prevailed over rational. In the legisaktsionnykh processes the ceremony, ritual was put above the actual truth, it also meant in itself the highest truth - judicial, legal. A mistake in the word, uncertainty in providing monetary pledge was led to loss of business irrespective of the actual correctness. The emotional component of these processes had prepotentvalue, they had mainly moral, educational character. The truth, justice were assigned to morality, only through which revealed. These moments have been noticed by thinkers in an extreme antiquity. The enormous merit in understanding of a mathematical component of the legal nature belongs to Ancient Greek philosophy, rational in essence. The mathematics long time was identified with philosophy, treated as one of aspiration forms to wisdom. The highest manifestation of such approach to mathematics and philosophy was the doctrine of Pythagoreans. The mathematical bases of a positive law are finally issued as knowledge by Aristotle who revealed the nature of the right, justice through mathematical equality. Such approach has

defined future development of law up to modern times. The new era of a matematization, rationalization of public consciousness can be connected with a name of the great German scientist, philosopher, logician, mathematician and lawyer Gottfried Leibniz. It seems to me, all completeness of intellectual scale of this scientist, his ingenious inspirations aren't estimated by mankind yet up to the end because each scientific era bears to us new and new sides of his opening. Process of formation of scientific knowledge of this thinker, its structure and contents is instructive.

Leibniz's education developed so that since the earliest childhood he studied mathematics in a priority order and got acquainted with works of outstanding representatives of law: Cicero, Pliniya and others. [2]

On the one hand, we see the bright, creative mind of the ingenious scientist possessing the highest degree of scientific imagination, intuition about other, sober, severe, punctual mind displaying all arguments on shelves, bridling violence of the imagination for the benefit of a scientific pragmatism. What there is only one choice of law as an education priority, the choice absolutely still the young man, but already having outstanding achievements in the sphere of mathematics, logic, philosophy. In this choice the intuition and sober calculation have connected: law - a high social status, career, honor, access to the upper class, material security; the mathematician, the logician - quality of legal knowledge, a set of common cultural (intellectual) competences as we would be expressed today, the quality of special preparation allowing to reach tops of a legal profession. In this obvious interrelation that secret force which gives to intelligence, and, therefore, and persons a new level of quality is covered. Leibniz's achievements - incontestable to that confirmation. [1]

The mathematical knowledge is a necessary basis of quality of any higher education including humanitarian from his legal component. About mathematics it is told - "discipline of mind". Many mathematical provisions are law axiomatics. For example, without knowledge of proportionality of division it is impossible to acquire qualitatively essence of share institutes in the right (share property, definition of shares of inheritance, etc.). The probability theory, allows to count a possibility of wrong legal judgments, to minimize their negative effect. The knowledge of the principles of a kvalimetriya matters to formation of ability of different forming of subordinations depending on amount of positive properties (acts, proofs, etc.) . The theory of severity of mathematical proofs is irreplaceable in high-quality assimilation of one of the most significant sections of law - the law of evidence. The combination theory allows to define accurately all possible options of action of the investigator, lawyer, judge. The theory of sets is applicable in legislative activity when determining types and limits of responsibility, etc.

I don't claim that the mathematics is necessary for the lawyer as exclusively special knowledge, as ability to the highest mathematical operating, to mathematical creativity, I speak about development of philosophical and mathematical algorithms of thinking, about acquaintance to the mathematics nature, about very tectonics, the principles of a mathematical reasoning, her intellectual methods of comprehension of regularities of life. The understanding of bases of the theory of the mathematical proof, for example, inevitably will give positive effect for formation of a rational component of legal thinking sooner or later. Lawyers deal in the professional thinking with search of truth not of that which is, and that which has to be. In this feature of the world of legal truth, the world of search of justice as balance of the social relations of the mathematician helps to develop mental abilities how to overcome what is in order that there was what has to be how to overcome what is for the sake of what has to be.

Here a lot of things will depend on qualification of the teacher of mathematical knowledge lawyers Require not so much the masterly expert on mathematical rules and operations, and the expert capable to philosophical generalizations concerning mathematical rules, operations, truth, regularities, the expert capable to see philosophy, psychology, logic of mathematics and to consider specifics of intelligence of the lawyer Naiyarchayshy to that an example - mathematical logic which is known to lawyers for a long time and actively develops in the legal theory, but there are also less known, however manifestations of mathematical knowledge which are surely gaining strength in economy, sociology and even in psychology and linguistics.

Thus, advantages of mathematical thinking should be considered as means of achievement of qualitative level of university legal education.

Mathematical knowledge - a necessary component of common cultural competence of jurists. The value of this tendency making in development, abilities to mathematical justification, confirmation, check of the proportion of justice, balance, harmony of the social relations which is intuitively caught by the lawyer. In other words the mathematics is necessary for development of the disciplined, strictly consecutive, reasonable, objective thinking of the lawyer. [5]

### **Bibliography :**

1. Leibniz's achievement of <http://pomnipro.ru/memorypage970/biography> (date of the address 25.02.16)

2. Plevaki's speech of [http://az.lib.ru/p/plewako\\_f\\_n/text\\_0020.shtml](http://az.lib.ru/p/plewako_f_n/text_0020.shtml) (date of the address 27.02.16)
3. Leibniz G. In Compositions in four volumes T. 1 Mysl Publishing house. 1982
4. Filippov M. M Gottfried Leibniz. His life, public, scientific and philosophical activity-1983
5. Markin. A.V "Whether It Is Necessary to the Mathematician's Lawyer?" - <http://cyberleninka.ru/article/n/nuzhna-li-yuristu-matematika> (date of the address 24.02.16)



# CITIZENS' PARTICIPATION IN SHAPING THE ACTIVITIES OF PUBLIC COUNCILS UNDER THE PUBLIC AUTHORITIES

**Kseniya E.Kudashkina**

2nd year student of the Law Institute  
Siberian Federal University  
Russia, the city of Krasnoyarsk

**Ivan B.Teplyashin**

scientific adviser  
Cand. Legal Sci, assistant professor of Constitutional,  
Administrative and Municipal Law  
Siberian Federal University  
Russia, the city of Krasnoyarsk

**Abstract:** This article deals with the citizens' participation in public councils formed with bodies of state power. It justifies the need for the development of the fall, the Institute of Public presence in the sovereign-public administration as a factor strengthening the foundations of civil society.

**Tags:** Public Chamber of the Russian Federation, civil society, political rights, community councils, democracy.

Direct interaction between citizens and public authorities is an important feature of a democratic state. This feature, according to Art. 1 of the Constitution, and is inherent in our country. It is revealed in many provisions of the Basic Law. For example, securing the rights of citizens to participate in managing state affairs (para. 1, Art. 32) [1]. One form of such participation can be considered as public control over the activities of government. [2]

Create a public oversight bodies is not a novelty in recent years. During the Soviet period the public has actively participated in the work of various government agencies. [10] In Russia, there were the beginnings of a public presence in 1993. By order of the President of the Russian Federation of 11.10.1993, № 685-p of Yeltsin BN Public Chamber was established by the Constitutional Council. [4] Investing more in the idea of public control over the authorities received VV in 2004 Putin first announced the idea of the creation of the Public Chamber. The logical continuation was the adoption of the Federal Law dated 04.04.2005 N 32-FZ "On the Public Chamber of the Russian Federation" [3].

Of course, over the last ten years the institute of public control underwent significant changes. They are summarized in the Federal Law of 07.21.2014, № 212-FZ "On the basis of social control in the Russian Federation." That is art. 9 of the Act provides a list of entities that exercise public control. Among others there appears community councils.

Public Council - an advisory body set up to harmonize the socially significant interests of the citizens of Russian Federation, federal, regional and local public authorities, public associations and organizations, to address the most important issues of public authorities, as well as participating in the implementation of public control the manner and form prescribed by law. Its decisions are purely advisory character.

By analyzing the position of the Federal Law "On the basis of social control" (ie, para. 1, Art. 2, pp. 5 and Nos. 7, para. 1, Art. 5, Art. 9, p. 1-3 v. 13), we arrive at concluded that community councils can be created both at the federal and at the regional and local level. However, VV Mushroom rightly points out in his article that not all community councils are subject to the Federal Law "On the basis of social control" due to inaccurate list of article 9, which does not provide as control subjects of public councils at local government. This list, in turn, is closed, it shall enter into a conflict with the n. 3 of Art. 13 of the same law [9].

It is a positive trend that is now public councils at the federal bodies of executive power are formed not only by the body itself, but also by the Public Chamber of the Russian Federation. This change was made to the RF Government Decree of 06.06.2013 N 480 "On Amendments to the Decree of the Russian Federation dated August 2, 2005 N 481 of the Government". [6]

However, the creation of public councils at the level of the Krasnoyarsk Territory is still given at the mercy of the authorities. In order to create public councils under the executive branch of the Krasnoyarsk Territory, approved on 10.02.15 №43-P Resolution of the government of Krasnoyarsk Territory, p. 6, states that the

composition of the board of not less than one candidate proposed by the Council of the Assembly [7]. It seems to us that the total amount in the range of 7 to 25 people, the sole member of the proposed Civil Assembly, even if there is a mandatory approval of the Assembly of the Council of the other participants will not be enough. If we consider the rules of procedure of the Assembly (for example, p. 3.9. The provisions of the Public Council at the service of economic and financial monitoring and surveillance in the area of procurement of the Krasnoyarsk Territory, approved by Order of Service financial and economic control and supervision in the sphere of the Krasnoyarsk Territory purchases from January 20, 2016 № 1np) - the decision of the Public Council on the issues discussed at the meeting held in person made by open voting by a simple majority of votes of the present members of the board [8]. It seems to us that this voting option, if one of the proposed Civil Assembly Member (which, obviously, represents the interests of the Assembly) is not completely democratic.

In general, the institute of public control of today is quite developed, regulated at all levels - in our study, we used only a fraction of such acts. However, it still needs to be clarified or changed legislative provisions to remove legal uncertainty. Thus it will be possible to achieve a more effective inter-action of citizens and the state, to which, actually directed the Institute, as well as it is, in our opinion, will help to eliminate legal nihilism.

### **Bibliography:**

1. The Constitution of the Russian Federation of 12.12.1993 (in the red. From 12.30.2014 city) // Co-Bran Russian legislation. 2014. № 31. Art. 4398.
2. Federal Law of 07.21.2014, № 212-FZ "On the basis of social counter-la in the Russian Federation" // the Russian newspaper. 07/23/2014. № 6435.
3. Federal Law of 04.04.2005, № 32-FZ (ed. Of 11.28.2015) "On-tion Society Chamber of the Russian Federation" // the Russian newspaper. 04/07/2005. № 3739.
4. Order of the President of the Russian Federation of 11.10.1993, № 685-p "On the establishment of the Constitutional Chamber of the meeting" // Meeting of the laws of the Russian Federation lation. 1993. № 42. Art. 3999.
5. Government Decree of 02.08.2005, № 481 (ed. Of 06.06.2013) "On the procedure for the formation of public councils at federal ministries, sleeves-dstvo which carries Russian Government, Federal Service-bang and federal agencies subordinated to it federal ministries and federal services and federal agencies that have implemented management-one to the Government of the Russian Federation" // the Russian newspaper. 08/09/2005. № 3842
6. Resolution of the Russian Government dated 06.06.2013, № 480 "On Amending Resolution of the Russian Government dated August 2, 2005 № 481" // Meeting of the legislation of the Russian Federation. 2013. № 24. Art. 3003.
7. Resolution of the Government of Krasnoyarsk Krai of 02/10/2015, the number 43-p "On approval of the creation of public councils under the executive branch of the Krasnoyarsk Territory authorities" // Our Krasnoyarsk Territory. 2015. №11.
8. Order Services of financial and economic control and monitoring in the area of procurement of Krasnoyarsk Krai of 01/20/2016 g №1np "On creation of the Public Council at the service of the financial and economic control in the Krasnoyarsk Territory procurement" // official Internet portal of legal information Krasnoyarsk Territory (<http://zakon.krskstate.ru/doc/30073>).
9. Grib V.V. Public councils as the main elements of the system of public control over the activities of state authorities of the Russian Federation // the Russian justice. 2015. № 5. C. 2-5.
10. Teplyashin I.V. The reaction of the Russian society and the state: Isto Rico and legal aspects // History of State and Law. 2014. № 9. S. 8-11.

## HISTORICAL AND LEGAL ASPECTS OF THE ORGANIZATION OF LOCAL SELF-GOVERNMENT IN RUSSIA

**Vladislava S. Lukashenko**

3rd year student of the Department of Theory and history of state and law  
Krasnoyarsk State Agrarian University  
Russia, the city of Krasnoyarsk

**Evgenia V. Bogatova**

Senior Lecturer, Department of Theory and History of State and Law  
Krasnoyarsk State Agrarian University  
Russia, the city of Krasnoyarsk

**Annotation:** This article deals with the development of this form of democracy as the local government. The paper attempts to define the chronological stages of the legal regulation of local self-government institution. Special attention is paid to the role of public authorities in guaranteeing human rights at the local level.

**Keywords:** Local government, human rights, democracy, the history of law, local elections, a local referendum.

Local government is a special system of organization of activities of the population, since it is through local government, citizens can make their own decisions on local issues, manage municipal property in accordance with their interests. If we consider the history of the development of local self-government in Russia, then it can be divided into 3 stages.

First period - the pre-revolutionary, count that can be carried from the reign of Ivan the Terrible until the reign of Peter the Great. However, not all scientists agree with this framework. Thus, EM Koveshnikov wrote that the local government Russia has deep roots reaching to the times of ancient Slavs. According to him, the relationship the members of the Slavic communities, which were based on collective ownership, and local government entities can be considered as a tribe and clan.

It was then that originated in ancient Russia local self-government, its foundations, forms of relationships between power and people. Another point of view is represented by supporters of the theory of self-veche, which had wide circulation in the territory of Russia. The most striking examples - veche meeting of Pskov and Novgorod, offer an opportunity to the population to participate in matters that are important for the city.

According to another group of scientists it is the period of collecting land Russia is considered the beginning of the formation of the first local authorities. It is argued that during the reign of Ivan the Terrible in the implementation of the labial and rural reform was initiated basics, structure and elements of local government. In 1550, along with Sudebnik also issued charters of local self-government. In carrying out these reforms abolished the feeding system and formed a community-based agencies (officials) - rural and provincial chiefs. It is said that the aim of all the reforms of Ivan IV was to centralize power and to strengthen it. The next phase of the organization and transformation of local government - Reform the time of Peter I, who tried to Europeanize Russia. Initially, the reform of urban governance was held (in 1699), and Burmisterskaya Chamber was established in Moscow, which is a central financial institution and the elected body of the urban population.

In 1720 he established the Chief Magistrate, who was in charge of municipal government affairs. How to set the regulations and the articles of association of the magistrate, the two guilds of citizens elected by the magistrate, which consisted of a president, two mayors and four Aldermen.

The next stage of the reform of self-government in the second half of the XVIII century, during the reign of Catherine II. So, in 1775 at the Imperial Court Council adopted the "Institution for the management of provinces of the Russian Empire" compiled by Catherine herself.

According to him, the main principle of the new administrative division was the number. Thus, in each province should be 300-400 thousand. Inhabitants, and in districts 20-30 thousand. There were also identified the foundations of local government and the judiciary. The result of the reform was the creation of an extensive field of the judicial system with elements of election and dividing by the number of courts according to the complexity of the cases and class parties.

Further, it was issued the Regulation on the cities, and carried out a change of elected bodies of urban management. Then, during the reign of Alexander II during the urban and rural reforms laid the legal foundation for local self-government. According to the Regulations on zemstvo institutions provincial and

district zemstvo assemblies were formed, and the city government regulated standards city regulations (1870), according to which the municipal governments are city council and administration.

Subsequently, the structure of the above-mentioned bodies changed insignificantly. The main trend was the gradual strengthening of control over the local government of the state. In connection with the events of 1917 was the beginning of the formation of a new system of local government according to the needs and ideals of the Soviet regime. But it is necessary to say that in connection with the processes of the local government in 1917 was essentially abolished. In 1918, with the adoption of the Constitution of the RSFSR, it was found that all power, both in the center and in the field, belongs to the Soviets. Thus, the Soviets as the local government entered into the system of state power.

With the formation of the USSR in 1922 and the adoption of the Constitution of the USSR in 1924. The special innovation is not noticed. It is said that despite the fact that the normative documents for regulation and management reform in the field were taken, but nevertheless, the local government was in uniform system of state power.

A modern local government system has its origin in the Declaration of State Sovereignty of the RSFSR in 1990. Since that time, the system of local self-government of the Russian Federation has become positioned as a fundamentally new, different from the former gained by using foreign experience.

In 1993, were adopted by the Presidential Decree "On the reform of local self-government" on October 26, 1993 № 1760 as well as "On the reform of the representative bodies and local self-government" from October 9, 1993 № 1617, that it was found that the head local authority is previously elected head of the local administration.

Then the position of local self-government have been enshrined in the Constitution. Today the legal framework of local government is quite extensive. The basis is the Russian Constitution, which contains the basic rules on the organization and the position of the local government. You can then call the second in the history of the Russian Federal Law "On general principles of local self-government in the Russian Federation", which contains a provision on the organization of local self-government, the order of election and the number of officers, their competencies, as well as many other issues related to the direct implementation local self-government.

#### **Bibliographi:**

1. The history of the development of local self-government in Russia. / Ed. TA Rylenko 2009.
2. Kozlov, TA The strengthening of federalism and local self-government / TA. Kozlov // Government and local self-government. № 2, 2000.
3. The Constitution of the Russian Federation of 12.12.1993 (as amended on 07.21.2014.) // Consultant: Legislation.
4. Federal Law of 06.10.2003 N 131-FZ (as amended on 15.02.2016.) "On general principles of local self-government in the Russian Federation" // Consultant: Legislation.
5. Bulletin 2014 Issue 2 (18/20)

# CONCEPT OF THE STATE FAMILY POLICY OF THE RUSSIAN FEDERATION

**Malkova E. Aleksandrovna**

Student of 1 course of Law department  
Achinsk branch of the Krasnoyarsk State Agrarian University  
Russia, the city of Achinsk

**Sorokun Pavel Vladimirovich**

Research supervisor  
K.i.n., associate professor of the theory and history of state and law  
Achinsk branch of Krasnoyarsk state agricultural university  
Russia, city of Achinsk

**Abstract:** In this paper we consider the situation of children in the distant past and the present. Attention is paid to the situation of children without families, as well as the recommendations of the public draft Concept of the State Family Policy.

**Keywords:** child - an orphan, incomplete family, parents, authority.

All tangible becomes the truth: "The future of the company - it is his children." That is why at the end of the twentieth century, in 1989. The UN adopted a Convention on the Rights of the Child, to which Russia joined a little later - in 1990. For Russia, this Convention has acquired a special meaning, because the situation of minors is, in the twentieth century and later, the beginning of the twenty-first century, caused particular concern and not without cause.

According to recent statistics, in Russia there are 142,900,000. Pers., including 25.9 million., Children under the age of 18 years. Since the early 1990 's, the growth of the number of children observed in Russia - orphans and children left without parental care. And this we can conclude: "An important feature of the Russian situation is a high and growing proportion of social orphans in their total number"

Another important symptom of ill children in Russia today - poverty of families with children. What to look for in the Presidential Decree "On the National Action Strategy for Children for 2012 - 2017 years" of June 1, 2012. According to, the statistics the share of low-income among children under the age of 16 years exceeds the average level of poverty. The most vulnerable are children between the ages of one and a half to three years, children from large families and single-parent families, as well as children of unemployed parents. That's why the most important issues in the field of child poverty include high risk children at birth, especially in large families and single-parent families.

Another significant indicator of trouble in the family and respectively in the presence of the living conditions of the child-parent families where the child often grows up without a father.

Among conclusive evidence of trouble in the living conditions of minors applies to the phenomenon of deprivation or restriction of parental rights in court. Total deprived of parental rights in 2008. 63 100 people in 2011 -. 50 801 people. And as is typical for Russia often deprived of parental rights, at least in these limited rights. This is evidenced by the statistics for 2011. In 87% - of cases there has been a deprivation of parental rights by the courts, and only 13% - the restriction of parental rights. Most often this is due to the reluctance of parents to change for the better for the sake of their children. As a person uses drugs or having harmful alcohol dependence alone is not able to change, therefore, this man is not able to raise their children.

For the execution of the Presidential Decree "On the National Action Strategy for Children for 2012 - 2017 has been developed by the Public State Policy Concept of the project of the Russian Federation for the period up to 2025. Text Concept draws attention to the fact that the modern Russian family is very different from the traditional, developed over centuries, based on large families. And the reasons for the weakening of the family and the destruction of traditional family values concept sees the imperfection of modern legislation, the authority of parental authority, and that much important, in a false understanding of the priority of the child's rights.

Thus, the concept features a catastrophic situation of children in modern Russia the following: in - first, the failure to comply with the family tradition, in - the second, a false understanding of the role of the child in the family, in - Third, the decline of parental authority through legislation.

Consider the first reason: The concept, states that the institution of the family has a place transformation is connected with deeper processes associated with changes in social, cultural, spiritual -

moral environment. Nevertheless, it calls on to the past, large families, the strength of the bonds of marriage that in our time is no longer possible to restore.

The second reason is a false understanding of the role of the child in the family and its rights, but is it really? The concept considers the cause of the weakening of the family institution in a false understanding of the principle of the priority rights of the child, who was adscititious in our country in the 90 th years of the last century. Although in reality more in art. 153 of the first Family Code of 1918. It stated: "The parental rights are exercised solely in the interests of children," but what if we go along the path of the Conception to the traditional family the rights of the child can be forgotten forever.

The third reason according to the Concept - the decline of parental authority through legislation. It calls us to the past, when the inviolability of parental authority is not questioned. Then it was appropriate to the concept of "parental authority". However, it is associated with the power of the one hand, unquestioning submission to the other, as that child appears. Its transformation into a person deprived of any rights of the subject property of parents, full of psychological and material dependence on them for our time - nonsense, because we should not forget that before for offenses permitted and corporal punishment is now punishable by law.

Therefore, the opinion of the Concept for the return to the old traditions can be considered misleading, as this method will not be used, because it is attracted to the degradation of society and will only worsen the situation of children - orphans.

### **Bibliography:**

1. Sobranie Russian legislation 2012. № 23. Art. 2994
2. Uchebnoe grant state and the right number 6. 2014
3. Concept. Kn.3.P.10.
4. Analysis of the situation of children in Russia: towards a society of equal opportunities. M. 2011.S.6.
5. Public draft Concept of state family policy of the Russian Federation for the period till 2025. M., 2013

# INTERNATIONAL LEGAL ASPECTS OF REGULATION OF THE INSTITUTE OF EUTHANASIA: THEORETICAL AND LEGAL ASPECTS

**Melnikov Aleksey Viktorovich**

2nd year students of the Department Legal  
Achinsk branch of the Krasnoyarsk State Agrarian University  
Russia, the city of Achinsk

**Fastovich Galina G.**

scientific director  
Associate Professor of Criminal Law and Criminology  
Achinsk branch of the Krasnoyarsk State Agrarian University  
Russia, the city of Achinsk

**Abstract:** Euthanasia refers to as "assistance to die, doctor relieve a dying art death or hasten death, to save dying of anguish." It is assumed that in this case causing death should be perceived as a benefit, only possible to eliminate suffering.

**Keywords:** Euthanasia.

Euthanasia refers to as "help to die, doctor relieve a dying art death or hasten death, to save dying of anguish." It is assumed that in this case causing death should be perceived as a benefit, only possible to eliminate suffering. This question raises several ethical and legal aspects. Some people believe that this can be considered as causing death by suicide, which, as you know, condemned religions. In addition, it turns out that suicide is accompanied by premeditated murder, albeit in good faith.

The next problem is of particular difficulty - determining criterion index to the use of euthanasia. If during this test to take the desire of the human caused agony, then there is a risk simulation for a variety of different reasons, when a person will use euthanasia as a way to commit suicide without proper medical records. In addition, this position may be incompetent or limited capacity in person, a minor or simply due to illness, temporarily not aware of their actions people.

Trust in such a situation, the trustees may be too problematic and wrong. Their assessment may be distorted or compassion, on the contrary, personal goals, including the self-serving. Another criterion might be the disease. In this case, the indication for euthanasia can be disinfected, and severity of, ie, disease accompanied by severe pain. A serious drawback to this theory can be scientific and technological progress that does not allow to speak about the incurability of the disease in the long term.

Nobody will ever be able to give a guarantee that in a few years, after some people will apply euthanasia due to some disease, not invented a cure, of him healing or reducing threshold of pain. In support of this theory can give an example, causing a lot of talk, but less so, - the death of the world-famous psychiatrist Sigmund Freud. According to one version, suffering from a severe form of cancer of the sky, he asked his physician Max Schur to introduce him a very large dose of morphine.

This happened in 1939 and has been known until now medicine is guaranteed to destroying the cancer has not created. This example leads to the conclusion that life is good only if prevail over suffering, positive emotions overall pleasure - over the negative.

There are two types of euthanasia: active and passive. Passive involves cessation of life support in severely ill person, in consequence of which the outcome is known in advance. Active euthanasia involves the input of a medicament for the same purpose.

The urgency of this problem is not quite adequate to confirm the actions of people concerned about this issue. For example, residents of Australia, acting "for" the resolution of euthanasia, in 2003 began distributing kits to take care of life. Today euthanasia in this country is prohibited, but at that time there was only prohibited promotion of voluntary death. It has been created 150 sets distributed wishing absolutely free. Naturally, this has caused a dissonance, and it was investigated.

In countries where euthanasia is allowed, too, there are situations, disturbing the entire world community. Switzerland (Zurich) in a clinic, not the first year of practicing euthanasia, was killed so healthy woman. There was no selfish motives, and other intrigues, just a woman, whose husband was dying of an incurable disease, she asked to apply euthanasia to her, to leave the world with her husband.

This practice may eventually enter a new trend, it is regarded not only physical, but also mental suffering for a reason to use artificial killing. In addition, there are other negative consequences - becomes apparent cruelty of people connected on duty with constant killing people. The head of the clinic, Ludwig

Minelli said, commenting on the incident: suicide often and really commit something with them do not know how - 50 attempts to account for only one successful. A pumped bedolag doctors. "Not what we need these extra loads, which are also costly," it is better to go to the last journey under the supervision of doctors.

On the initiative of the Federal Assembly of the Russian Federation to introduce euthanasia in Russia Novikov - President of the All-Russian Movement "Medicine for quality of life" in an interview he said that "in all medical schools inspire students to think that the main task of the doctor - to fight for the life of the patient and possible facilitate his suffering. How on this background will look like an introduction to the treatment program of legalized murder? Then you need to write in the diplomas: Specialization - "vrachkiller". This is absurd! "

In the same interview, Mr. Novikov says the experience of countries where euthanasia is not allowed. As an example, he cites one of the most progressive and liberal countries - the Netherlands, where the procedure is practiced since 2001. "Up to 75% of Dutch doctors refuse to kill patients, even if they really asked about it. If such a decision is still taken, it shall be certified by a number of committees, ie there is a multi-stage evaluation and monitoring system. In addition, it would be incorrect to say that in the Netherlands or Belgium legalized euthanasia. There simply decriminalize artificial termination of life of the patient by the attending physician. "

But even in conservative England categorically mood on the subject changed to a completely democratic. Two years have passed since one of the most popular British writers Terry Pratchett expressed in the same article, the mood of the whole people. The article he called "When will turned the last page, please - send me to heaven ...," in which he writes that not one Englishman traveled outside of their country to another country peacefully give up their lives, to make that more than unable. The theme is close to the author, he had an incurable sick to today's day and Alzheimer's disease through his art is not the first year aims to reach out to UK lawmakers.

In practice, the precedent has been established in the United Kingdom. UK High Court granted the 43-year-old woman to disconnect a respirator, her life support throughout the year. In 2006, Lord Joffe's bill has been proposed to assist in the death of the terminally ill. On the eve of a vote in the British Parliament on the issue of the legalization of euthanasia of terminally ill people, doctors for the first time issued a joint statement against the law, which would allow patients to take a similar decision to voluntarily withdraw from life. 73.2% of the representatives of the medical profession do not approve such a measure. Pratchett is not the first nor the last of the famous people to draw attention to this issue. The ranks of these people are also included Emile Durkheim, NA Berdyaev, and many others.

In our opinion, to unify the solution to this problem is possible only at the international level by filing an example to all countries of the world. Judging from the trend, the decision taken at the level of the European Council or the United Nations will be implemented immediately in the domestic law of dozens of countries, which will lead to a clear and accurate picture of the legal regulation is still one of the fourth-generation rights.

### **Bibliography:**

1. URL: <http://pravo-slovar.narod.ru>.
2. See .: Guseinov AA, Apresyan RG // Euthanasia Ethics. - M .: Gardariki, 2000. - S. 425.
3. In Australia, the supporters of euthanasia began to spread "suicide kits" for free. URL: <http://www.medlinks.ru/article.php?sid=9448>.
4. Baranov serious scandal flared recently in Switzerland // Komsomolskaya Pravda. - 2009 - 3 March.
5. Specialization - "doctor-killer" // Rosbalt. - 2007 - 12 July. URL: <http://www.rosbalt.ru/main/2007/04/17/293524.html>.
6. "Good Death". Experience the legalization of euthanasia in other countries // RIA Novosti. - 2007 - 17 April. URL: <http://ria.ru/spravka/20070417/63786753.html>.



## PROBLEMS investigative searches AND SOLUTIONS

**Melnikova Christina A.**

3rd year student Department of Criminalistics  
Siberian Institute of Business,  
Management and Psychology  
Russia, Krasnoyarsk

**Voronin Sergey Eduardovich**

scientific adviser  
Doctor of Law, Professor  
Achinsk branch  
Krasnoyarsk State Agricultural university

**Abstract:** This article discusses some topical search of production problems. The author shows the ways of solving these problems, for example, the presence of witnesses.

**Keywords:** search, protocol, understood.

The search has been and remains in the system of investigation of the Russian criminal justice one of the most sensitive in terms of tactical and psychological investigative actions affecting the most important constitutional rights of citizens. [1, p.97]

One of the procedural legality of the search condition is the presence of witnesses in its production. Witness - "on the right of the Russian Federation the person invited to participate in the production of inspection, search ... and other investigative actions in cases stipulated by the Criminal Procedure Code of the Russian Federation." The aim of witnesses in accordance with Art. 60 Code of Criminal Procedure is the production of a certificate of the fact of the investigative action, as well as the content, progress and results. Many authors emphasize the effectiveness of attracting the participation of witnesses in the investigation. However, there is a different opinion on this matter. Some authors believe that the concept of the institute should be optional, as it is not a means of control over the activities of persons conducting the investigation. The role of the witnesses is to verify the legitimate actions of the investigator in the provision of counteraction to investigation of the persons concerned, and, consequently, the decision to bring the witnesses to be taken at the discretion of the investigator. [2, p.258].

Indeed, in our view, the Institute of witnesses, in the form in which it exists in the Russian procedural law, can not cope with the performance of the functions of identification. In practice, there are cases when the participation of witnesses in the investigative action is reduced only to the signing of a protocol of the investigative action. In addition, incomplete and unclear explanation of the terms of their rights and duties in conjunction with their legal ignorance does not allow them to effectively carry out their statutory tasks. [3, p.111]

This fact is confirmed by the materials studied criminal cases, according to which no one in the search report has not been fixed any statements or comments from the witnesses. Also, some authors rightly conclude that law enforcement officials face difficulties related to the reluctance of citizens to participate in the investigative actions (as witnesses). This law enforcers are not convinced of the error of the last position occupied by them and carried out a search "with the participation not required, and a minimum number of witnesses" [4, p.85].

This fact leads to the fact that a large area object witnesses are not able to verify all the actions scouring, but the "search protocol they signed as if both were present at the inspection of all premises and seizure of objects." [1, p.168] In addition, some authors emphasize that when an investigative action is difficult to determine the interest understood in its result, which often leads to the loss of the probative value of the detected objects. [2, p.257]

So, during the search in the house of L., suspected of organizing the gang, it was found machine with bullets. One of the witnesses was their store of workers belonging to the suspect's mother. During the investigation, the suspect said that he had to throw the weapon operatives. This same version was confirmed questioned as a witness understood, resulting in probative value of the search results has been lost. [5, p.187]

These circumstances cast doubt on the fact that "the presence of witnesses, encourages the investigator to comply strictly with the requirements of the criminal procedural law", and the more an obstacle illegal actions "bad" investigator, ensure observance of the law, raises the quality of compiled on the basis of the protocol of the investigative action. It seems that during the search "bad" the investigator,

if desired, be able to break the law ("find" objects of interest to him), despite the participation of witnesses. This last will think that the investigator did find objects incriminating being searched. In this context, we can not agree that the presence of witnesses, ensures compliance with the law by the investigator and the more increases the quality of the search protocol. On the other hand, the attention of the scientific thought rightly drawn to the fact that the questioning of a witness in court (in criminal proceedings) reveals some irregularities in the conduct of this or that investigative action, which often leads to the recognition obtained inadmissible evidence. Investigation practice knows many such cases, however, as a rule, since the performance of the investigative action to judicial review of the criminal case takes a significant amount of time, in connection with which the person called as witnesses, can not remember the details of investigative actions, and their questioning to the hearing is useless. A look at the witnesses as "impartial witness investigator of the current law, if it is necessary to apply the procedural coercion, significantly restricting the rights of citizens" seems not justifiable. To be a witness to the correctness of someone else's actions, they need to be assessed in this case, from the point of view of their compliance with the letter of the law. Authors, offering witnesses entrust such a function, find themselves with their full legal illiteracy. [4, p.95]

This raises the question: how the witnesses will evaluate the legality of the actions of the official, if they do not have the necessary legal knowledge? For the above circumstances, we share the position of the individual authors of the possibility of refusal to participate in some of the witnesses of investigative actions (including search) in the application of video. [2, p.303]

It seems that the use of video recording (hardware lock) will allow a much more efficient to carry out certification functions fact, progress and results of the investigative action. At the same time there are a number of rules and recommendations developed by forensics for the purpose of application of qualified video, the observance of which, and, consequently, the admissibility obtained by an investigative action evidence assessed by the court in criminal proceedings. Establishment of the Institute attendants witnesses, other than those mentioned by us above negative phenomena, causes a lot of organizational problems, in particular, a large number of people and, consequently, substantial costs for their content. In addition, the duties of witnesses on a regular basis for a long time could further exacerbate the practice of the production of certain investigative steps without them, but with the subsequent drafting formally correct protocol. To the same effect, in our view, could cause and the introduction of the responsibility of citizens for refusing to participate in the investigative action as witnesses.

To sum up, we believe that the production of a search (all its forms, with the exception of personal search, accompanied by the exposure of a person, as well as the personal search conducted in the course of detention) requires the mandatory use of video. In this case, the fact of the production of identity searching, its progress and the results realized through the use of this technical fixation means. Implementation of this provision in law will allow, in our opinion: first, eliminate the negative aspects of the participation of witnesses during the search above; secondly, it will significantly increase the level of protection of the rights and legitimate interests of being searched, in particular, in an appeal against actions of the investigator during the search; Third, it allows the court to conduct a comprehensive legal assessment of the actions of the investigator during the search; Fourth, it allows the investigator to evaluate their own actions during the search to identify the mistakes that helps to eliminate them in the investigation of other criminal cases.

### **Bibliography:**

1. Voronin, SE Organization of a criminal community: the criminally-legal and forensic aspects: /S.E Monograph. Voronin, ES Voronin AM Zheleznyakov. Krasnoyarsk: Publishing House of the Siberian Institute of Business, Management and Psychology. 2015. 328 p.
2. Voronin, SE Theory and practice of investigation of crimes in the sphere of migration security: Monograph / SE Voronin, IV Nikitenko, DD Kaplun, VN Skorik. Krasnoyarsk: Publishing House of the Siberian Institute of Business, Management and Psychology. 2015.488 with.
3. Voronin, SE Dialogues of the criminal trial of Russia: Monograph / SE Voronin. Khabarovsk: Publishing house of the Far East law institute of Ministry of Internal Affairs of the Russian Federation. 2007.176 with.
4. Rossinsky SB Production search in the form of a special operation: Dis. ... Cand. jurid. Sciences. M., 2002. 224 c.
5. Voronin, SE Psychotypological approach in the system of forensic expertise: Monograph / SE Voronin, RL Ahmedshin, TA Alekseeva. Krasnoyarsk: Publishing House of the Siberian Institute of Business, Management and Psychology. 2015. 323 p.

# ORGANIZATIONAL AND MANAGERIAL FOUNDATIONS OF PUBLIC PARTICIPATION IN THE ACTIVITIES OF THE AUTHORITIES OF MODERN RUSSIA

**Daria A. Mikhailova**

3rd year student, Chair of state legal disciplines  
The Institute branch in Krasnoyarsk

**Ivan V. Teplyashin**

Research supervisor

Candidate of juridical sciences, head. the Department of state and legal disciplines  
The Institute branch in Krasnoyarsk

**Abstract:** the article deals with the issues of public participation in the functioning of the Executive authorities by the example of the Federal Service of court bailiffs of the Russian Federation.

**Keywords:** Russian society, legal state, civil society, public control.

Конституция Российской Федерации, провозглашая Россию правовым демократическим государством, закрепила право своих граждан на участие в управлении делами государства. Реализация указанного комплексного права происходит через осуществление гражданами Российской Федерации ряда самостоятельных субъективных прав, в том числе права участвовать непосредственно или через своих представителей в формировании и деятельности любой из ветвей власти: законодательной, исполнительной, судебной.

Рассматривая механизм участия граждан РФ в управлении делами государства в сфере исполнительной власти, необходимо выделить два ключевых направления: участие граждан в формировании органов исполнительной власти и участие граждан в деятельности этих органов в качестве государственных служащих, членов экспертных, общественных и иных советов, комиссий и коллегий.

К непосредственным или прямым формам участия граждан в управлении делами государства в сфере исполнительной власти, на наш взгляд, можно отнести: индивидуальные или коллективные обращения; проведение публичных мероприятий, как исключительный способ влияния на управление делами государства; поступление на государственную службу.

Так, принят Федеральный закон от 21 июля 2014 года №212-ФЗ «Об основах общественного контроля в Российской Федерации», который устанавливает правовые основы организации и осуществления общественного контроля за деятельностью органов государственной власти, органов местного самоуправления, государственных и муниципальных организаций, иных органов и организаций, осуществляющих в соответствии с федеральными законами отдельные публичные полномочия [2].

Под общественным контролем в Законе понимается деятельность субъектов общественного контроля, осуществляемая в целях наблюдения за деятельностью органов государственной власти, органов местного самоуправления, государственных и муниципальных организаций, иных органов и организаций, осуществляющих в соответствии с федеральными законами отдельные публичные полномочия, а также в целях общественной проверки, анализа и общественной оценки издаваемых ими актов и принимаемых решений.

Участие гражданина в осуществлении общественного контроля является добровольным.

Субъекты общественного контроля в соответствии с Законом обнаруживают информацию о своей деятельности, о проводимых мероприятиях общественного контроля и об их результатах, в том числе размещают ее в информационно-телекоммуникационной сети «Интернет», в средствах массовой информации, а также при необходимости направляют информацию о результатах общественного контроля в органы прокуратуры и (или) органы государственной власти и органы местного самоуправления, в компетенцию которых входит осуществление государственного контроля (надзора) или муниципального контроля за деятельностью органов и (или) организаций, в отношении которых осуществляется общественный контроль.

В целом привлечение представителей гражданского общества к обсуждению проблем и перспектив развития российского государства можно считать положительной тенденцией.[3]

Однако кроме создания механизмов подобного диалога в виде общественных советов необходимо уделять внимание эффективности их деятельности, где информационная открытость играет существенную роль.[4]

Н.Н. Кулешова считает, что реальное осуществление общественного контроля можно использовать как средство борьбы с волокитой, коррупцией и бюрократией, а также как форму ограничения произвола в исполнительной власти. Общественный контроль нужен обществу и государству как способ совершенствования и развития.[5] А. Гаганов считает, что пока не будет принят весь огромный массив правовых актов во исполнение закона «Об общественном контроле в РФ», работать он не будет.[6]

В целом, считают Т.Н. Михеева и Д.С. Михеев, следует оценить Закон об общественном контроле как позитивное начало, определяющее общие контуры общественного контроля. В этом смысле он соответствует своему названию и создает лишь правовые основы общественного контроля, определяет его цели, задачи, основные принципы, формы.[7]

Так, можно сказать, что общественный контроль в РФ в опосредованном виде существует давно, но его применение без специального, общего закона было неэффективным и редко используемым. С принятием закона «Об общественном контроле» деятельность данного института должна развиваться, стать постоянной и эффективной, привлекая к общественному контролю все большие количества представителей общественности.

The Constitution of the Russian Federation, declaring Russia a democratic government, established the right of its citizens to participate in managing the Affairs of the state. To implement this complex law is through the exercise by citizens of the Russian Federation of a number of independent subjective rights, including the right to participate directly or through their representatives in the formation and activity of any of the branches of government: legislative, Executive, judicial.

Considering the mechanism of participation of citizens in managing the Affairs of the state in the sphere of Executive power, it is necessary to distinguish two key areas: the participation of citizens in formation of bodies of Executive power and citizens' participation in the activities of these bodies as public servants, members of expert, public and other councils, commissions and boards.

The immediate or direct forms of citizen participation in the management of state Affairs in the sphere of Executive power, in our view, include: individual or collective petitions; holding public events as an exceptional way to impact on the management of the Affairs of the state; all vacancies in the public service.

Thus, Federal law of July 21, 2014 №212-FZ "On fundamentals of public control in the Russian Federation", which establishes the legal basis for the organization and implementation of public control over activity of bodies of state power, bodies of local self-government, state and municipal organizations, other bodies and organizations in accordance with Federal laws separate public authority [2].

Under public control in the Law is understood as activity of subjects of public control exercised for the purpose of monitoring the activities of public authorities, local governments, state and municipal organizations, other bodies and organizations in accordance with Federal laws separate public authority, as well as in the public test, analysis and public evaluation issued by their acts and decisions.

The participation of citizens in implementation of public control is voluntary. Subjects of public control in accordance with the Law publishes information on its activities, on activities of public control and their results, including its place in the information and telecommunications network "Internet" in the media, and sent information about the results of public control in the prosecution agencies and (or) bodies of state power and bodies of local self-government, responsible for the implementation of the state control (supervision) or municipal control over activity of bodies and (or) organizations, are subject to public control.

In General, the involvement of civil society representatives to discuss the problems and prospects of development of the Russian state can be considered a positive trend.[3]

However, in addition to creating the mechanisms of such dialogue in the form of public councils need to pay attention to their performance, where transparency plays a significant role.[4]

N. N. Kuleshov believes that the actual implementation of public control can be used as a means of combating bureaucracy, corruption and bureaucracy, but also as a form of restriction of arbitrariness in the Executive branch. Public control is necessary to a society and the state as a way of improvement and development.[5] A. Kaganov believes that it will not be adopted by the whole huge body of legal acts in pursuance of the law "On public control in Russia", it will not be functioning.[6]

In General, consider T. N. Mikheeva, and D. S. Mikheev, should evaluate the Law on public control as a positive beginning, defining the General contours of public control. In this sense, it lives up to

its name and creates only the legal framework of public control defines its goals, objectives, basic principles, forms.[7]

So, we can say that public control in the Russian Federation in the mediated form has long existed, but its use without special, General law was ineffective and rarely used. With the adoption of the law "On public control" the activities of this Institute has to develop, become permanent and effective, involving public scrutiny all of the large number of members of the public.

#### **Bibliography:**

1. Federal law of July 21, 2014 № 212-FZ "On fundamentals of public control" // collected legislation of the Russian Federation, on 28.07.2014, N 30 (a Part I), item 4213.
2. Shulakov, A. A. Principles of granting public services and their connection with the basic principles of relations between the state and the individual/shulakova, A. A. // Russian justice. 2015. No. 2. S. 56-57.
3. Lipchanskaya, M. A. the Activity of public councils under the Federal bodies of Executive power as a form of citizen participation in the management of state Affairs/M. A. Lipchanskaya// Law journal. 2009. No. 4. S. 31-35.
4. Kuleshov, N. N. About the current state of public control in Russia/N. N. Kuleshov//Legal science. 2013, no. 2. P. 24-27.
5. Social control in Russia (<http://rusrand.ru/actuals/obschestvennyj-kontrol-v-rossii>) (accessed 01.03.2016).
6. Mikheev, T. N., Mikheev, D. S. Legal vector in development social control /T. N. Mikheev, Mikheev D. S.// Legal world. 2014. N 9. S. 17-20.

# SINGLE QUESTIONS OF EXECUTION AND SERVING OF FORCED LABOUR

**Pergunova Elizaveta Sergeevna**

Student 3 courses of department of Criminal law and criminology  
Achinsk branch of Krasnoyarsk state agricultural university  
Russia, city of Achinsk

**Kovaleva Svetlana Yurievna**

Student 3 courses of department of Criminal law and criminology  
Achinsk branch of Krasnoyarsk state agricultural university  
Russia, city of Achinsk

**Rakhmatulin Zakir Ravilyevich**

Research supervisor  
Senior teacher of department of Criminal law and criminology  
Achinsk branch of Krasnoyarsk state agricultural university  
Russia, city of Achinsk

**Abstract:** In article questions of application of criminal penalty in the form of forced labor are considered. Problematic issues of appointment and execution of this punishment are opened now.

**Keywords:** Punishment, forced labor, labor duty, convict.

In 2011, there was a transformation of conditional imprisonment labor service. It became a kind of forced labor (Article of the Criminal Code № 53.1). Thus, it is the third kind of punishment, complementary to mandatory corrective work, which consists in carrying labor service.

According to the third part of Article 53.1 of the Criminal Code, forced labor - is the involvement of convicts to work in established institutions of the penitentiary system locations. That is, the legislator sees the feature of this type of punishment only in places of attraction to work and shape their organizations.

A variety of forms of forced work units where they are carried out shall be established by municipal authorities in accordance with the inspection of the correctional system.

Convicted having its principal place of operation, serving corrective labor at the place of their work. Convicts who have no main place of work, serving correctional work in designated municipal areas in coordination with the inspection of the correctional system, but within the area of residence of the convicted person.

According to the first part of Article 60.1 PEC RF number condemned to forced works format serving sentences in special institutions - correctional centers. In addition, they are supervised by the obliged to be constantly in the territory of an information center (except for cases stipulated by the Criminal Enforcement Code), to reside in a specially designated hostels, do not leave them outside and night, holidays, days off without permission IC administration.

Justification for the replacement of one form of punishment forced labor indirectly by certain subjective circumstances, namely the personality of the convict. If the objective is clear, that the correction of the convicted person is enough probation, the appointed forced labor instead of imprisonment. Moreover, only when it is expressly provided for by criminal law.

The inclusion of such an alternative legislator explains the very essence of the prosecution, which has been, not in a square, and in the correction of convicts. That's about it and says article 43 of the Criminal Code (part three). According to it, any punishment is not only a measure of social justice, but also serves the purpose of correcting the convicted person, the prevention of the commission of further offenses.

Willful violation of the order and conditions of serving the forced labor are expressed in:

- Use of alcohol, drugs and psychotropic substances;
- Disorderly conduct;
- Disobedience to representatives of the administration or of insulting the information center in the absence of such an act of a crime;
- Production, storage, transfer of prohibited substances, objects;
- The organization of strikes and other forms of group disobedience participate in them;
- Refuse to work;
- Unauthorized abandonment of the territory the information center without a valid reason;

- Failure to return to the place of serving the sentence (with a delay of more than 24 hours).

If we turn to the content of forced labor, order and conditions of serving, which are regulated in chapter 8.1 PEC RF, we see that the legislator "without further ado", they say "did not reinvent the wheel", and borrowed them from the already abolished the penalty of restrictions on freedom of the original version, which could not enter into force because of the lack of necessary funds.

Forced labor was originally planned to introduce from 1 January 2013 years (FZ of 07.12.2011 number 420-FZ), then their management was moved to January 1, 2014 (Federal Law of 30.12.2012 number 307-FZ), and then transfer back to January 1, 2017 year (FZ dated 12/28/2013 number 431-FZ).

From the above we can draw the following conclusions:

1. Forced labor is "fiction," and the restriction of freedom - this is the type of punishment that does not contribute to the achievement of the objectives of criminal punishment.

2. Introduction to the criminal punishment system species such as forced labor and restrictions on freedom is not enough evidence of deliberate and thought-out decision, because why introduce those penalties that are not applicable or do not comply with its punitive nature.

### **Bibliography:**

1. The Criminal Code of the Russian Federation of 13.06.1996 number 63-FZ (as amended. On 07.21.2014) // SPS "Consultant."
2. Criminal Executive Code of the Russian Federation of 08.01.1997 number 1-FZ (as amended. On 06.23.2014) // SPS "Consultant."
3. Federal Law of 13.06.1996 number 64-FZ "On introduction of the Criminal Code of the Russian Federation" // the ATP "Consultant."
4. Federal Law of 27.12.2009 number 377-FZ "On Amendments to Certain Legislative Acts of the Russian Federation" // the ATP "Consultant."
5. Federal Law of 07.12.2011 number 420-FZ "On Amendments to the Criminal Code of the Russian Federation and Certain Legislative Acts of the Russian Federation" // the ATP "Consultant."
6. Federal Law of 28/12/2013 number 431-FZ "On Amendments to Article 8 of the Federal Law" On Amendments to the Criminal Code of the Russian Federation and separate acts of the Russian Federation "// the ATP" Consultant. "
7. Resolution of the Plenum of the Supreme Court of 11.01.2007 number 2 "On the practice of naming the Russian courts of criminal punishment" // SPS "Consultant."
8. Kapitonov E. Restriction of freedom: the problem of applying modern / "Law". Number 5. 2014 // SPS "Consultant."
9. See .: Mukhanov, OV Efficiency of the penal system as an important tool for the implementation of criminal policy / OV Mukhanov // Modern problems of criminal policy: Materials of All-Russian scientific-practical conference. - V.2. - S. 132-136.
10. Nagaeva TI Forced labor: an alternative to imprisonment or fiction? // Law Journal. №

# PROBLEMS investigative experiment AND SOLUTIONS

**Pilipchuk Tatiana Ruslavnovna**

3rd year student of the Department of Criminology  
Siberian Institute of Business , Management and Psychology Russia , Krasnoyarsk

**Voronin Sergey Eduardovich**

scientific adviser

Doctor of Law, Professor

Achinsk branch

Krasnoyarsk State Agricultural university

**Abstract:** The article deals with some current problems of investigative experiments and suggests ways to address them.

**Keywords:** experiment, the process of reconstruction.

Manufacture of investigation has been and remains the main method of collecting evidence in the domestic criminal proceedings. Consolidating this provision, the legislator followed the practice, because it is the task of investigations carried out on the collection, verification and evaluation of the evidentiary information. The investigation of the criminal case the investigator performs actions and make decisions under or arising out of criminal procedural law. These actions and decisions are diverse; each of them, as a rule, has its task to fulfill and which seeks the investigator as a member of the prosecution. [1, p.132]

Investigatory experiment is one of the most complex investigation because it requires a lot of effort in its preparation, production and fixation. To some extent, its use in practice is complicated by the inaccuracy of the investigation set out in the Code of Criminal Procedure spirit and objectives of the investigative action, which in this form are replicated in the comments to the Code of Criminal Procedure, in textbooks on criminology and criminal proceedings. [2, p.215]

Criminal Procedure regulate the production of an investigative experiment is dedicated to art. 181 Code of Criminal Procedure, which states: ". In order to verify and clarify the data relevant to the criminal case, the investigator may conduct an investigative experiment through play action, as well as the situation or other circumstances of a particular event This tests the perception of any facts, the commission . certain actions, the occurrence of any event, and identifies the sequence of events happened and the mechanism of formation of traces of investigative experiment allowed, if not create a danger to the health of persons involved "in our opinion, this norm -. is very far from perfect.

Thus, the Code of Criminal Procedure does not contain any indication that "in an investigative experiment witnesses must be present" and that "the production of an investigative experiment is allowed provided that it does not demean the dignity and honor of the persons involved, and others."

Unfortunately, the investigating authorities in the modern legal reality is sometimes very difficult to conduct an investigative experiment because of its high cost, as it requires a high cost: both material and time. In addition, the investigative experiment, as a rule, is connected with great difficulties Institutional Plan (definition of space, time, selection of participants, facilities, etc..). Not always experimental results lead to the unequivocal, indisputable results in the investigation of a significant amount of crime investigative experiment sometimes indispensable means of obtaining evidence. However, our research has shown that in cases of crimes committed by organized groups, investigative experiment is an important tactic in the arsenal of an investigator whose task is - time is the reconstruction of a crime in the smallest details. [3, p.151]

So, in the criminal case of so-called gang "Amazons" Inessa Tariverdiev wield on the roads of the Rostov Region for 15 years, and which account for more than 30 murders and robberies, 88 investigative experiments were made. Total volume of the materials of the criminal case on this band was about 250 volumes. Armed gang Tariverdiyeva really impressive: Kalashnikovs, "Uzi" sniper rifles Degtyareva. Criminal "ladies" demonstrated during the investigative experiments mastery of virtually all types of firearms.

And criminal procedure and forensic investigative goals and objectives of the experiment determine the need for in Art. 181 Code of Criminal Procedure changes that would indicate that the direct manipulation of research is experienced in nature. Actually, it is this possibility of transformation parameters of action, which carries a person (most of all, whose testimony checked), and highlights the investigative experiment by checking readings on the spot inspection and examination.



Articles 181 and 288 Criminal Procedure Code of the Russian Federation indicate that investigative experiment conducted by investigators or the court, because it can carry out procedural and other persons, such as the investigator. So, in the Code of Criminal Procedure after "inspector" should be added in brackets the word "investigator".

In Art. 181 Code of Criminal Procedure stipulates that the production of an investigative experiment is allowed if there is no health risk persons involved, however, such an approach is, in our view, significantly restricts the rights of participants in the investigative experiment, because a person's life is more valuable right than his health. Unconditionally required to reflect the wording in this article is the lack of danger to life and health involved in investigative experiment entities.

Doubtful is the question of carrying out an investigative experiment at night, in the case h. 3 t. 164 Code of Criminal Procedure established the inadmissibility of the investigation during the night, except in cases of urgency, and an investigative experiment does not apply to such cases. [4, p.199]

One of the outstanding issues of procedural law is the provision of an investigative experiment in living quarters, respectively Art. 25 of the Constitution is contraindicated enter a home against the will of the persons residing in it except in cases stipulated by federal law or by court decision. Since the Code of Criminal Procedure does not stipulate the right of a court decision on an investigative experiment in dwellings, within the framework of the Criminal Procedure Code of the Russian Federation to conduct an investigative experiment at home against the will of the persons living in it, you can not even by the court. [5, p.133]

Analyzing the problem questions of the investigative experiment, should analyze the rights and obligations of the participants. Comparing the rights, duties, members of the investigative experiment was obvious that they presented a different wording and do not have a single interpretation. In this regard, it is necessary at the next edition of the Code, to carry out their procedural and linguistic analysis and set out in a uniform manner. [6, p.105]

So, it should be noted that the doctrine of investigative experiment needs to be further developed on the basis of summarizing the literature and investigative and judicial practice. Investigative experiment, in our view, is given too little attention in the criminological as well, especially in the modern criminal - procedural literature. Legal nature of the investigative experiment, as well as a complex empirical nature of the investigative procedure, which are experienced action basis - detailed reconstruction of the events of the crime in as close as possible the conditions for the real, - the tactics of preparation and method of its production, we believe require further development and improvement, both within theory of criminal procedure and criminology.

### **Bibliography:**

1. Voronin, SE Dialogues of the criminal trial of Russia: Monograph / SE Voronin. Khabarovsk: Publishing house of the Far East law institute of Ministry of Internal Affairs of the Russian Federation. 2007.176 p.
2. Voronin, SE Theory and practice of investigation of crimes in the sphere of migration security: Monograph / SE Voronin, IV Nikitenko, DD Kaplun, VN Skorik. Krasnoyarsk: Publishing House of the Siberian Institute of Business, Management and Psychology. 2015.488 p.
3. Voronin, SE Organization of a criminal community: the criminally-legal and forensic aspects: /S.E Monograph. Voronin, ES Voronin AM Zheleznyakov. Krasnoyarsk: Publishing House of the Siberian Institute of Business, Management and Psychology. 2015. 328 p.
4. Voronin, SE Psychotypological approach in the system of forensic expertise: Monograph / SE Voronin, RL Ahmedshin, TA Alekseeva. Krasnoyarsk: Publishing House of the Siberian Institute of Business, Management and Psychology. 2015. 323 p.
5. Voronin, SE Theory and practice of investigation of crimes related to the illegal exploitation of living aquatic resources: Monograph / SE Voronin, MN Tokarev. Krasnoyarsk: Publishing House of the Siberian Institute of Business, Management and Psychology. 2014. 278 p.
6. Luzgin, IM Simulation of the investigation of crimes: Monograph / IM Luzgin. M: Publishing house "Norm". 2010. 224 p.

# INTERACTIONS OF THE CONSTITUTIONAL STATE AND CIVIL SOCIETY IN MODERN CONDITIONS

**Alina.E Polyakova**

Student of 1 course of Law department  
Achinsk branch of the Krasnoyarsk State Agrarian University  
Russia, the city of Achinsk

**Sorokun Pavel Vladimirovich**

Research supervisor  
K.i.n., associate professor of the theory and history of state and law  
Achinsk branch of Krasnoyarsk state agricultural university  
Russia, city of Achinsk

**Abstract:** In this article is considered conditions of interaction of the constitutional state and civil society that is fundamental for prosperity and development state structures and political system of society.

**Keywords:** Constitutional state, civil society, state, right.

The problem of interaction of the constitutional state and civil society in modern conditions is actual and belongs to number of fundamental scientific problems. It is caused by a variety of reasons:

First, for a long time citizens of our country lived in the totalitarian state and protection from the power have been in many respects deprived.

Secondly, formation of civil society and the constitutional state at various historical stages and in various countries has both the general regularities, and the features connected with development of democracy, market economy and formation of the constitutional state with global social recreation during which there would have to be structures of public control guaranteeing feedback between the person and society.

The constitution of the Russian Federation proclaims that Russia is the constitutional state. (Art. 1) "The Russian Federation Russia is the democratic federal constitutional state with the republican form of government". [1]

The legal state is the state which all activity is subordinated to rules of law, the principles which are directed to protection of the rights and personal freedoms and the citizen.

In the theory the following basic principles of the constitutional state are allocated:

- The constitutional state is democratic.
- Citizens have the right and have to participate in elections of representatives of government bodies.
- Citizens, also have equal, broad, democratic rights and duties.
- Rule of law in legal system. [2]

J. Locke wrote: "And any decree somebody in what to a form it neither has been conceived and what the power nor supported it has no force and obligation of the law if he hasn't received the sanction of legislature which is chosen and appointed the people." [3]

What once again confirms, the fact that in the constitutional state the rights and freedoms of the person and the citizen, and also participations of citizens in political life of society are highly appreciated. The people have acquired the right on participation in elections of representatives of government bodies and not in the right to lose, this great right.

The person, society and the state are indissolubly connected, these three components of one system which supplement each other.

N. A. Berdyaev wrote that "in hierarchy of cultural wealth the first place belongs to the personality, the second place society and only the third - to the state". [4].

But in our modern world the largest force the state, then society, and only then the personality has.

The constitutional state and civil society, are some kind of defenders of the personality. Help to observe the rights and freedoms of the citizen.

The term "civil society" has been introduced by Hegel in his work "Legal philosophy" for the first time. Hegel has suggested to consider society as dialectic set of the relations between a family, civil society and the state.

Today "the term civil society" is the most effective form of a social system. Modern Russia aspires to this purpose, but now civil society in Russia isn't developed, it is in a formation stage. The most serious obstacles on the way of formation of civil society are weakness of middle class and the social imperfection of our society which is shown, first of all, a significant gap between a standard of living of rich and poor segments of the population. [5].

The civil society only developed will be able to resist to various negative phenomena of the modern world to such phenomena as: corruption, alcoholism, drug addiction.

During reflection it is possible to allocate several conditions of civil society:

1) civil society is the most important criterion of a civilized society;  
2) this society represents free political association, the community of equal citizens based on the law and justice;

3) it forms itself area of interaction and realization of the individual, corporate and group purposes.

From the aforesaid it is possible to draw a conclusion that the most important common ground (interaction) of the constitutional state and civil society are:

1. Economic, economic, ethnic, family and related, religious, moral, legal relations.
2. Political relations between individuals or free persons, in lots, groups of interests.
3. Civil society as well as the constitutional state proclaims the supreme value of the right and freedom of the person and citizen.

Approaching end of the reasoning, we would like as having expressed to the beginning experts the point of view to tell, that so far we don't see a problem in interaction of civil society and the constitutional state, and on the contrary we see a common ground of these two legal categories of one legal system.

#### **Bibliography:**

1. Constitution of the Russian Federation. Moscow: Nuclear heating plant, 2013.-64 pages.
2. Martyshkina O. V. Theory of the state and right: manual. - M of a.: norm, 2007.-496 pages.
3. Locke Dzh. Two treatises about board//Locke J. Soch. T.3. Page 339.
4. Berdyaev N. About appointment of the person. M.,1993. With.175.
5. Irkhin Yu.V. Civil society and power//Social and humanitarian knowledge. 2007. No. 5. Page 3-12.

# **SOCIAL CONTROL: CONCEPT, PRINCIPLES, SCOPE OF IMPLEMENTATION**

**Popkova Irina**

2nd year student of Law Institute  
Siberian Federal University  
Russia, city of Krasnoyarsk

**Teplyashin I. V.**

Supervisor

K. Yu.N., associate Professor, DEP. constitutional,  
administrative and municipal law  
Law Institute of Siberian Federal University  
Russia, city of Krasnoyarsk

**Abstract:** the Article is devoted to the analysis of such a legal institution as social control. The paper presents the definition of this legal category, the selected characteristics. Attention is paid to the principles of social control, as well as the areas in which it is implemented.

**Keywords:** Public control, the state, society, sphere of realization of public control.

Public control is the most important legal institution in a democratic state. For the effective operation of the state apparatus in particular and the state as a whole society needs to exercise control in various spheres of life.

Social control – concept, which is studied by various Sciences: sociology, political science, jurisprudence. The concept of "social control" embodied in the Federal law from 21.07.2014 № 212-FZ "On fundamentals of public control in the Russian Federation"[1]. Under this legal institution is understood as activity of subjects of public control exercised for the purpose of monitoring the activities of public authorities, local governments, state and municipal organizations, other bodies and organizations in accordance with Federal laws separate public authority, as well as in the public test, analysis and public evaluation issued by their acts and decisions.

Based on the above definition, you can highlight certain features inherent in such legal categories as social control. First, it is the actions of certain actors, i.e. the Commission of certain active action subject. Secondly, the purpose of this activity is to monitor power and the conduct of the audit of their it solutions. Third, social control is carried out in accordance with the legislation of the Russian Federation.

It is important to pay attention to the principles of social control which include: the priority of the rights and legitimate interests of man and citizen; voluntary participation; autonomy and independence of subjects of public control of state authorities and bodies of local self-government[2]; publicity and openness of activity; legality; impartiality and conscientiousness of subjects of public control, and others.

These principles are based on the provisions of the Constitution of the Russian Federation[3] that recognizes the rights and freedoms of man and citizen as the Supreme value, as well as enshrining freedom of activity of public associations, freedom of thought and speech. Public control is an effective mechanism through which to build dialogue and cooperation between the state and society in various spheres of life[4].

The main area is undoubtedly the field of public administration. Control over the activity of state power and local self-government promotes the development of constitutional legislation and implementation in practice of the principles of separation of powers, rule of law, the priority of rights and freedoms of man and citizen[5].

Social control is manifested in the electoral system. Today is a big role for public observers. The state uses various measures to ensure that every citizen could monitor election procedures (installed video equipment, electronic ballot boxes).

Public control in the sphere of public procurement manifests itself in two forms: participation in mandatory public discussion of procurement and implementation of public control.

Public control over observance of labor legislation and rules on labor protection is carried out by professional unions, public inspectors and commissions, created on the initiative of the employer and the employee, the relevant elected trade Union body of the enterprise, institution, organization.

The most widely public control in the sphere of housing and communal economy and trade. On behalf of the President of the Russian Federation in the Russian regions shall be established a public organization.

The purpose of creation is the development of social control, legal, housing and education of citizens, protection of the legitimate rights of consumers of services in the housing sector.

If to speak about trade, but nowadays there is a Law on the protection of consumer rights, which entitles every citizen of the Russian Federation to control the vendors, to identify violations of storage rules, sale of goods. The main thing – it forces entrepreneurs to fix the violations thrown out.

Based on the foregoing, we can conclude that the modern democratic state is difficult to imagine without public control. This legal institution is important in all spheres of life.

#### **Bibliography:**

1. The Federal law from 21.07.2014 № 212-FZ "On fundamentals of public control in the Russian Federation". URL: <http://www.consultant.ru> (reference date: 11.03.2016).
2. Teplyashin I. V. Some aspects of the formation of the Institute of social and legal responsibility of civil society, exercising control over the observance of the legislation of the Russian Federation on counteraction of corruption // Security business. 2010. No. 2. S. 26-28.
3. The Constitution of the Russian Federation (with the amendments introduced by Laws of the Russian Federation on amendments to the Constitution of the Russian Federation from 30.12.2008 № 6-FKZ, from 30.12.2008 № 7-FKZ, from 05.02.2014 No. 2-FKZ, dated 21.07.2014 No. 11-FCL). URL: <http://www.consultant.ru> (reference date: 11.03.2016).
4. Avakyan S. A. Social factor in the law making process: some problems and proposals // the Constitutional and municipal law. – 2006. – No. 3. – S. 19-22.
5. Panchenko P. N. Public control in the sphere of law: a constructive dialogue between society and state // State power and local self-government. – 2010. – No. 3. – P. 4-12.

# INVESTIGATOR AS A PARTICIPANT OF CRIMINAL JUSTICE: CHALLENGES AND PROSPECTS FOR THEIR DECISION

**Potylitsyn Irina**

3rd year student Department of Criminalistics  
Siberian Institute of Business, Management and Psychology  
Russia, Krasnoyarsk

**Voronin Sergey Eduardovich**

scientific adviser  
Doctor of Law, Professor  
Krasnoyarsk State Agricultural  
university

**Abstract:** The article deals with some problems of legal investigator position in the domestic criminal proceedings. We study the basic problems of criminal procedure of the party and the ways of their solution.

**Keywords:** process, investigator, investigation.

In recent years, the science of criminal process to reactivate the debate on the legal status of the investigator, as a party to criminal proceedings for the prosecution. However, some authors, which we categorically can not agree, it is believed, in spite of the current Code of Criminal Procedure, which is - again, and it assigns an investigator to the prosecution - that the investigator due to procedural functions performed by them shall not apply to the prosecution. [1, p.215]

This issue, we believe, requires a detailed study because of its relatively high relevance today. The relevance of the role of the investigator in the criminal proceedings, in our opinion, is due primarily to the fact that the investigator has been and still remains one of the most important figures in the pre-trial proceedings in criminal cases, as well as the central subject of proof, which is responsible for collection of evidence, the completeness and objectivity of the preliminary investigation.

Untried investigator as a party to the criminal proceedings is clearly defined in Art. 151 Code of Criminal Procedure. Rights and obligations of any investigator in the work of a particular criminal case, it is absolutely the same and do not depend on whether, to what agency the investigator applies, nor the nature of the offense under investigation, nor of the complexity of the case and the volume of investigative work. This versatility is investigator on the legislator's idea was to ensure that his procedural independence. In fact, unfortunately, the situation is somewhat different.

The procedural independence of the investigator, except judicial prerogatives of the application of coercive procedural measures related to the damage to the constitutional rights and freedoms of participants in criminal proceedings, limited indications chief investigative body - to investigate the direction of certain investigative acts, bringing the person as an accused, on the election in respect of suspect, accused preventive measure of qualification of the crime and the prosecution of the volume. These instructions given in writing, binding on the investigator, but may be appealed to the superior head of the investigative body. This means that as a general rule the appeal does not suspend the execution of instructions. Exceptions are specified investigative body of the head: the transfer of criminal proceedings, the imposition of an accused, the crime qualification of the charges volume measures of restraint, of investigative actions, which are allowed only by court decision, the case to the court or to terminate it. While not agreeing with such guidelines, the investigator is entitled to submit the head of the superior investigative body materials of the criminal case and the written objections to them. Appeal is also not subject to the written instructions of the investigative body head, which requires the head to execute received in his address the requirements of the prosecutor to eliminate violations of federal law, admitted during the preliminary investigation. [2, p.112]

The prosecutor in themselves are not binding on the investigator, it all depends on the position of the head of the investigative body. If the investigator does not agree with the requirements of the prosecutor to eliminate violations of federal law, admitted during the preliminary investigation, and the head of the investigative body in solidarity with his subordinates, under his responsibility, he will inform the public prosecutor about the investigator's written objections submitted by the head of the investigative unit. In our opinion, this is very significant, the procedural guarantee of independence of the modern investigator. [3, p.88]

In relation to the body of inquiry inspector, may say, also has a certain power. For example, under investigation it matters, he has the right to give the bodies of inquiry mandatory for written instructions on carrying out of operatively-search actions, certain investigative actions on the execution of the detention order, the drive, about the arrest of other procedural actions, and require assistance in their production by the investigator. Without such a rule, "the investigator loner" in a number of cases, especially in the investigation of large and complex cases of organized crime group, would have been unable to fulfill its responsibilities in full. [4, p.156]

An investigator at the pre-trial stages of the criminal process is currently performing these procedural features such as investigating crimes, the prosecution and resolution of the criminal case (cessation of investigating the criminal case). With the advent of in the criminal case of procedural figures suspected and accused the investigator begins simultaneously perform two procedural functions - crime investigation and prosecution. Performing the same action, the investigator can simultaneously carry out two different functions - the functions of investigation and prosecution.

Thus, a criminal case against a specific person the investigator begins the investigation and at the same time puts a person in the position of the suspect, as in the decision to open a criminal investigation immediately formulated and suspicion of committing a crime by a specific person.

And yet, we believe, the modern investigator to be more independent and responsible procedural figure free accusatory bias in the investigation. How to achieve this? Only by empowering investigators to independent adoption of the most important procedural decisions. Now, the investigator is under excessive tutelage, first of all, the court, the prosecutor and the head of the investigative body.

What happens to the procedural autonomy and responsibility of the investigator in the Criminal Procedure Code of the Russian Federation? On the one hand, the investigator has the right to decide on the imposition of their own and personally as a defendant, and on the other hand - it does not have the right, for example, on their own without the court's decision to make a search in the house at the same accused. [6]

It is clear that in its legal value of these two procedural steps are not comparable: conducting searches - it's just a single investigative action from a number of others, and the decision on the person as an accused, in many respects, determines the fate of the criminal case, and the fate of the accused. It is the investigator's decision on the person as the accused will form the future basis of conviction.

How did it happen that the legislator entrusts the investigator independently to take a more responsible procedural decision - decide on the person as a defendant in a criminal case, but do not trust yourself to make a decision to conduct a search of the home of the accused ?! In our view, a very strange position in this issue the legislator takes. The Code of Criminal Procedure established that the production of the inspector inspection home without the consent of the staying only by court order allowed the prisoners. It should be noted that with respect to the order of the home inspection in Art. 25 of the Constitution of the Russian Federation found that the home is inviolable, no one has the right to enter a home against the will of the persons residing in it except in cases stipulated by federal law or by court order. Because of this provision it is clear that the creators of the CCP had every right to set a different remedial order production of home inspection in the absence of the consent of the persons residing in it, or by decision of the investigator, or with the consent of the prosecutor, and not only by court order. But the legislator has, contrary to common sense, reason, elect the other, the most complex procedure for the adoption by the investigator decision on this investigative action - only by court order, which considerably limits the procedural autonomy of the most important participant in the criminal proceedings - the investigator, depriving him of tactical efficiency in dealing with collection problems evidence. [5]

To sum up, we can draw the following conclusions:

1) The legislator, in our opinion, should come primarily from the reasonable assumption that the investigator who performs investigations, collect evidence, take procedural decisions on criminal proceedings must have sufficient rights to an independent adoption, and also to defend their position on the criminal case before the prosecutor and the head of the investigative body.

2) In those cases where the complaints investigator instructions of the prosecutor and the head of the investigative body rejected a higher prosecutor or the head of the investigative body, the Criminal Procedure Code should contain the new norm, according to which the investigator has the right to refuse any further conduct of criminal proceedings. And the investigator's failure should not be considered as a violation of the service discipline that will lead to sanctions against him of an administrative or criminal procedural nature.

3) In no case can not be forced to take procedural decisions of the investigator in the criminal case; especially such momentous as the involvement of a person as an accused, the termination of the criminal case, qualification of the crime, and others who do not agree with his inner conviction.

In the light of the test question also appears to be ineffective and have repeatedly expressed the idea of visiting the Russian criminal process at the stage of preliminary investigation, the figure "investigating judge" that "regardless of departmental affiliation will collect evidence and in the interests of the prosecution, and protection" [2, p.141] .

The problem in this case is only in the term and its interpretation. It does not matter, "on whose behalf" investigating authority on the stage of preliminary investigation; the important thing is that he in one person is psychologically difficult to implement diametrically opposite kinds of criminal procedure activity. The investigating judge (as well as any other body and face in any type of criminal proceedings), gathering initial, necessary for the production of an output volume of evidence, as well as modern Russian investigator and will again be at a crossroads - either it decides in favor of the defense, or, indicted person will inevitably rise to the prosecution.

#### **Bibliography:**

1. Voronin, SE Theory and practice of investigation of crimes in the sphere of migration security: Monograph / SE Voronin, IV Nikitenko, DD Kaplun, VN Skorik. Krasnoyarsk: Publishing House of the Siberian Institute of Business, Management and Psychology. 2015.488 with.
2. Voronin, SE Dialogues of the criminal trial of Russia: Monograph / SE Voronin. Khabarovsk: Publishing house of the Far East law institute of Ministry of Internal Affairs of the Russian Federation. 2007.176 with.
3. Voronin, SE The public prosecutor in criminal proceedings as a party: /S.E Monograph. Voronin, NA Kiriyyenko. Birobidzhan: Publishing House of the Amur State University. 2012.196 with.
4. Voronin, SE Organization of a criminal community: the criminally-legal and forensic aspects: Monograph / SE Voronin, ES Voronin AM Zheleznyakov. Krasnoyarsk: Publishing House of the Siberian Institute of Business, Management and Psychology. 2015. 328 p.
5. The Russian Federation Constitution: adopted by popular vote 12.12.1993, taking into account the amendments made to the Law on Amendments to the Constitution of the Russian Federation from 30.12.2008 N 6-ERPs from 30.12.2008 N 7-FCL, from 05.02.2014 N 2- ERPs from 21.07.2014 N 11-FCL // SZ the Russian Federation. 2014. N 31. Art. 4398.
6. Criminal Procedure Code of the Russian Federation: number 174-FZ of 18.12.2001 (as amended on 07.13.2015.) // SZ the Russian Federation.



## PROBLEM OF LEGAL NIHILISM IN MODERN RUSSIA

**Nikolay.C Ryabkov**

Student of 1 course of Law department  
Achinsk branch of the Krasnoyarsk State Agrarian University  
Russia, the city of Achinsk

**Sorokun Pavel Vladimirovich**

Research supervisor  
K.i.n., associate professor of the theory and history of state and law  
Achinsk branch of Krasnoyarsk state agricultural university  
Russia, city of Achinsk

**Abstract:** Approaches to concept, the reasons and ways of overcoming of legal nihilism in the Russian society are covered in this article.

**Keywords:** legal nihilism, right, nihilism problems.

Formation of civil society, accompanies acceptance of the right as the supreme human value, it has to work together with understanding to eliminate an arbitrariness of the persons acting beyond the law thereby to ensure safety for citizens.

Introduction of legal nihilism in consciousness of citizens of Russia sets thinking and whether Russia is the constitutional state not only according to standardly legal acts? If Russia is it, it means that the person is obliged to know the basic rights and duties that is not always noticeable in interaction of the state and society. Banal decisions of citizens not to go for various votes can be an example, this right is granted by it, and they do not use it.

According to the sociological survey conducted on June 18-22, 2010 by Analytical center of Yury Levada (Levada Center), overwhelming number of Russians feel unprotected from a possible arbitrariness of the authorities, are convinced of impossibility to influence political processes in the country and are sure that officials do not submit to laws. So, do not feel protected from a possible arbitrariness from law enforcement, taxing, judicial and other government bodies – 71%; are assured or incline to belief that officials do not submit to laws – 82%; are not interested in participation in political life of the country and even the city – 62%; doubt an opportunity to protect the rights in case of their violation – 61% of the interrogated Russians [1].

The provided data considerably confirm prevalence of the phenomenon to which consideration the present article is devoted.

Various manifestations of nihilism slow down development of modern society. That is laws are frankly ignored, violated, not executed, do not appreciate them, do not respect.

Problems of social deformation are strongly widespread in the modern world. In particular it is connected also with manifestation of nihilism. For example N. I. Matuzov and A.V. Malko say that, the problem of legal nihilism was not considered in literature according to the theory of the state and the right. In the field of science it is not investigated rather deeply [2] too.

Nihilism denial of the standard norms and rights established as obligatory.

The legal nihilism in turn is divided into two forms:

- 1) Legal cynicism (a complete negation of the norms and the principles protected by the state).
- 2) Legal scepticism (less expressed denial form).

R. A. Romashov and E.G. Shukshina note that "factors of the social environment substantially exert impact on formation of legal nihilism among young people, in particular: deideologization and commercialization of the public relations, change of valuable ideals with pronounced orientation to ideals of the western democracy in this connection the priority of private interests in relation to public, pragmatism perception of state and legal institutes, denial of traditional values ..." is characteristic of legal culture of youth [3].

Are the reasons of legal nihilism:

- a) Legislation Nesovershennost;
- b) Constant not punishability for non-performance of the duties;
- c) Low level of legal knowledge of the population;

d) Prevalence of skills of the solution of questions, without resorting to legal measures;

But the most terrible that the nihilism gradually gets used to our consciousness, creeps in mentality of the people, but it can be avoided, everything begins with trifles. If parents regularly go to cool meetings of the child, elections and other necessary actions, the growing-up family member will understand that he needs to arrive also, everyone equals on parents.

Speaking about undertakings of the Russian nihilism it is possible to note that it arose still long ago. Still N. A. Berdyaev wrote: "the Russian nihilism was the Russian national phenomenon". Eloquently A. Valitsky was about it expressed: "the right in Russia was not lucky". [4].

It turns out that it so, in Russia people but not laws generally governed.

It should be noted that the nihilism is present not only at Russia, but why it found rooting exactly here? The answer can be is as follows: for the Russian person, concept an autonomy of the personality alien, he did not recognize this right and there was no base for realization of that autonomy. And only in 1993 with the moment of adoption of the constitution people began to suffer various changes: democracy, liberty of choice and other constitutional rights. It was confirmed also by B. A. Kistyakovsky that "only the new wave of Westernism which rushed in the early nineties together with Marxism began to clear up a little legal consciousness of Russian intelligentsia" [5].

Unfortunately present situation does not give confidence that shortly at people in consciousness the consciousness of the right will be developed.

Proceeding from the aforesaid, we want to propose the following measures for eradication of nihilism:

1) To lift prestige of the right, to make it the highest attribute of a personal freedom, that is to make it obligatory for all. Only then we will need the right to know the opportunities and borders of permissibility.

2) To gradually eradicate the developed stereotypes of the illegal acts which developed for rather wide interval of time in consciousness of citizens of Russia, being based and considering examples of legal practical activities.

3) To increase legal literacy of the population, especially youth as the nihilism can creep not only in open form, but also have the latent form.

The solution of the problem of legal nihilism is found on the way of comparison and analysis of all elements of sotsioregulyativny system, both legal, and extra legal, for the purpose of identification of contradictions between them and permissions of these contradictions. Not only precepts of law, but also norms of morals, morality and religion can be the factors constraining commission of an offense, but only in that case when between legal and extra legal regulators harmonious interaction takes place.

#### **List of references**

1. URL: <http://www.levada.ru/press/201006.html>. (date of the address: 3/6/2016).
2. Matuzov N. I., A. V's Whitebait. Theory of the state and right: Textbook. M.: Юристъ, 2004. - 512 pages.
3. Romashov R. A., Shukshina E.G. Legal culture and legal nihilism among young people//History of state and law. 2006. No. 2.
4. Valitsky A. Morality and the right in theories of the Russian liberals of the end of the XIX beginning of the 20th century. Questions философии. 1991. №8. Page 25.
5. Kistyakovsky B. A. In protection of the right.//Milestones: сб. the Art. about Russian intelligentsia. – Sverdlovsk: Urals publishing house. un-that, 1991. Page 130.

# THE USE OF HYPNOSIS IN THE COURSE OF THE INVESTIGATION

**Ryakhovskaya Olga A.**

3rd year student Department of Criminalistics  
Siberian Institute of Business,  
Management and Psychology  
Russia, Krasnoyarsk

**Voronin Sergey Eduardovich**  
scientific adviser

Doctor of Law, Professor  
Achinsk branch Krasnoyarsk State Agricultural university

**Abstract:** The article deals with some current problems of using non-traditional methods of crime investigation. The author shows the possibility of using hypnosis in modern criminology.

**Tags:** hypnosis, interrogation, criminalistics.

Modern legal realities are characterized by qualitative and quantitative changes in crime and the level of organization and financing of criminal activities and criminal information security community. [1, p.56] This causes the police to change the conceptual approach to the issue of proof in modern conditions, finding new and more effective ways and means of collecting evidentiary information. In this regard, the question is: is it possible to, in principle, the use of the unconventional tactic as hypnosis in investigative actions? We think that at this point is unlikely, since the Code of Criminal Procedure is no such source of evidence as evidence obtained under hypnosis. But in the operational-search activities, we believe gipnoreproduksiya can be used completely. In this connection, it is advisable to talk about the "search" hypnosis, the legal basis of which is the Federal Law "On operative-search activity" from August 12, 1995 g. Primenenie hypnosis method (gipnoreproduksionnogo survey) in the process of search and investigation actions allows you to "revive" the traces of experienced experience in the memory of the person (the victim, a witness or a witness), and obtain the necessary additional information. Hypnosis is a psychological phenomenon, and communicative interaction tool can be used for illegal and constructive, humane purposes.

On how full and truthful testimony of victims, witnesses, suspects and defendants in criminal proceedings depends, if not all, then a lot. However, the question of truth and the right decisions in this field under current conditions is becoming more problematic. The main reason - the growing with each passing day deficit of reliable information. Practice shows that the use of hypnosis is particularly effective in the investigation of crimes related to religious extremism. [2, p.101]

Among the non-traditional methods include yet we are not officially recognized, illegitimate method of obtaining personal information after the introduction of the information carrier in a hypnotic state. There are three stages of hypnosis:

- legkaya (sleepiness);
- srednyaya (complete relaxation, while maintaining confidence in the fact that it is possible to overcome drowsiness, but do not want to);
- glubokaya (not responding to any stimuli and maintaining voice contact only with the hypnotist or otherwise leading).

Note that the use of hypnosis as appropriate, only when the witness or the victim wants to help the investigation in establishing the truth in the case, but for one reason or another (for example, the stress state in the explosion, and so on. N.) Can not remember and reproduce what they saw the event or features human face. The second condition for the use of aid specialist hypnotist is the presence of consent (in writing) the victim or witness to give evidence. The use of hypnosis to the suspect or the accused is not allowed. Hypnosis sessions can be carried out only by trained individuals - psychiatrists and psychologists. In this regard, another requirement is not a specialist interest in the outcome of the case and its lack of knowledge about the details of what happened events. Getting information through the introduction of its support in the hypnotic state is unacceptable in relation to the minor. [3, p.102]

Concluding, it is advisable to once again focus on the main points of the work. Hypnosis is a powerful weapon, the person under its influence can inspire anything, erase any memory fragments, made to sign any paper. In our country, many opponents of hypnosis: the law enforcement agencies, prosecutors and investigative circles, the police, among scientists. [4, p.14] One of their main arguments - inhumane

impact on who is unconscious person. However, in the developed capitalist countries, where the slightest act of humanity is no rallies and demonstrations, hypnosis is still used, albeit under very strict control. But information obtained under hypnosis, has probative value. Our investigator also this technique can not be applied at all. But the man in the street, probably, all the same, how the police will save society from the offender. It is easy to imagine how much work has to be overcome to ensure that the method in question has acquired its official status, become a legitimate and effective means of tactical arsenal investigators. In terms of priorities related to the resolution of the problem, obviously, in the first place should include provision (in law) an appropriate legal framework, the establishment of a sound scientific basis (conditions, guidelines, criteria, etc.) and evidence-based practices the use of hypnosis in criminal proceedings.

At present, Russian regulations on the use of hypnosis in something outdated and needs to be updated in line with new scientific opportunities and directions hypnology. But it is worth noting that today there is no legal basis for national investigators and operative workers to resort to hypnotist. [5, p.287]

Firstly, it is necessary to proceed from the provisions of the Constitution (Article 51), on which no one is obliged to testify against himself, his spouse and close relatives. Second, the law prohibits and punishes as a crime, coercion to testify by means of threats or other illegal actions on the part of the investigator or person conducting the inquiry. And this implies that in case of failure in obtaining truthful testimony from the suspect (the accused), victims and witnesses, the law does not provide any other interrogator opportunities to turn to other sources of information. The use of hypnosis to the interviewee (or respondent in the framework of Article 6 of the Federal Law "On operative-investigative activities) kind of illegal action, with all its consequences. [6, p.5]

No wonder the vice-president of the Russian Academy of Sciences, Academician VN Kudryavtsev considers the use of psychotropic drugs and hypnosis to the interviewee to "illegal activities" on the part of the investigator or person conducting the inquiry, which is the "compulsion to testify" -that is, in fact, offense under the Criminal Code st.302. [6, p.14]

The solution to this problem, we see the following: must be supplemented by Part 2 Article 74 of the Criminal Procedure Code of the Russian Federation a new source of evidence, namely - "Indications of the suspect (the accused), obtained under hypnosis."

#### **Bibliography:**

- 1 Voronin, SE Organization of a criminal community: the criminally-legal and forensic aspects: /S.E Monograph. Voronin, ES Voronin AM Zheleznyakov. Krasnoyarsk: Publishing House of the Siberian Institute of Business, Management and Psychology. 2015. 328 S ..
- 2 Voronin, SE Psychotypological approach in the system of forensic expertise: Monograph / SE Voronin, RL Ahmedshin, TA Alekseeva. Krasnoyarsk: Publishing House of the Siberian Institute of Business, Management and Psychology. 2015. 323 p.
- 3 Voronin, SE Situational modeling in forensics: Monograph / Br.e.. Voronin. Krasnoyarsk: Publishing house of Krasnoyarsk State Agrarian University. 2013.159 with.
- 4 Sharapov, RD Criminal gipnosuggestiya: criminological and criminal law aspects of the / RD. Sharapov // State and right. №11. 2004. S.23-43.
1. Samples, VA Forensic Psychology: Monograph / VA Samples, SN Bogomolov. - M. : "Nauka". 2002. 303 S ..
- 5 VD Habal The use of hypnosis to enhance memory of the people questioned in the activities of foreign police: Author. Dis. cand. psychol. Sciences. - M., 1997. 27 p.

# THE ANALYSIS OF SEPARATE ASPECTS OF THE DRAFT OF THE CODE OF THE RUSSIAN FEDERATION ABOUT ADMINISTRATIVE RESPONSIBILITY

**Svatkova Albina Alekseevna**

Student 3 courses of department of Criminal law and criminology  
Achinsk branch of Krasnoyarsk state agricultural university  
Russia, city of Achinsk

**Rakhmatulin Zakir Ravilyevich**

Research supervisor  
Senior teacher of department of Criminal law and criminology  
Achinsk branch of Krasnoyarsk state agricultural university  
Russia, city of Achinsk

**Abstract:** in this article it is about the characteristic of the project new the Administrative Code, his legal treatment is given. On the text statement course, the author defines the position about changes in the administrative legislation.

**Keywords:** bill, administrative legislation, penalty, short stories, administrative offenses.

In recent years the question that it is necessary to adopt the new Code of the Russian Federation about administrative offenses was particularly acute. And only in February, 2014, were engaged in development of this law closely after the Assistant to the President and the head of his public administration Larisa Brycheva, called this situation on infinite modification of the Administrative Code "close to accident". The working group at the State Duma Committee on the constitutional legislation and the state construction has developed the project of new edition the Administrative Code and on December 18, 2015 the bill No. 957581-6 "The draft of the new Code of the Russian Federation about administrative offenses" has been introduced to the State Duma of the Russian Federation.

The document consists of 3 sections: general, special part and production on cases of an administrative offense. The draft of the new Code of the Russian Federation on Administrative Offences contains general provisions of the legislation on administrative offenses, rules of differentiation of powers between federal and regional authorities, the principles of administrative responsibility, the list of types of administrative punishments and the rule of their appointment, the list of the bases and the rule of release from administrative responsibility and punishment, and also an order of production on cases of administrative offenses.

Among the main short stories of the Code it is possible to note:

- allocation of categories of administrative offenses depending on their character – rough, considerable and less considerable;
- extension of the list of types of administrative punishments (he has included corrective works, deprivation of special permission (license), an administrative ban on visit of public and other mass actions, certain public places, and also on use of services of air carriers as passengers, liquidation of legal entity).

Characteristic of categories of administrative offenses:

- rough – attract or can entail substantial harmful effects;
- considerable – do considerable harm to the protected public relations;
- less considerable – don't do considerable harm.

For each category various sums of penalties are provided (see the table).

Table. The sizes of penalties for different types of administrative offenses according to the Bill [1].

Субъект правонарушения	Категория правонарушения		
	Грубое	Значительное	Менее значительное
Гражданин	10-100 тыс. руб.	5-10 тыс. руб.	0,5-5 тыс. руб.
Индивидуальный предприниматель	100-400 тыс. руб.	25-100 тыс. руб.	2,5-25 тыс. руб.
Должностное лицо	200-800 тыс. руб.	50-200 тыс. руб.	5-50 тыс. руб.
Юридическое лицо	5-60 млн руб.	1-5 млн руб.	10 тыс. – 1 млн руб.

It is offered to increase the minimum sum of a penalty from present 100 rub (the p. 2 of Art. 3.5 of the Code of the Russian Federation on Administrative Offences) to 500 rub. We will remind that such size of a penalty is minimum for offenses in the field of traffic now.

According to survey by the conducted website "Право.Ру", between users of the website, about what they consider the most important short story the most part of respondents 1934 users of the website (17%) have answered introduction of category of administrative offenses. Decrease in the minimum age of accountability 955 users (8%), punishment in the form of a ban to do business – 1666 users (15%), "black lists" of brawlers – 1783 users (16%), increase and diversification of limitation periods – 1813 users (16%) have chosen, a possibility of change the Administrative Code only as special laws – 1625 users (14%) [2].

According to experts of the business combinations, largest in the Russian Federation, the Project has pronounced repressive character and toughens regulation in comparison with the existing code, at the same time in him the soil for abuses of state agencies is created [3].

The analysis of the text of the Project which is carried out by experts of Institute of legal researches of Higher School of Economics demonstrates that the short stories put in the Project have much more complex and, with a high share of probability - negative for development of economic circulation in the Russian Federation, character [3].

Also in the report have pointed out procedural distinctions in production on revision of resolutions on the case of attraction to administrative responsibility (chapter of 25 agrarian and industrial complexes, norms of agrarian and industrial complex on appeal production and chapter 47 of the Administrative Code Project). Distinctions have found the following:

Possibility of deterioration of the situation of the person brought to administrative responsibility:

As now: The agrarian and industrial complex of the Russian Federation doesn't limit court in possibilities of change of the judicial act of inferior court or the resolution of body which will lead to "deterioration of the situation of the person brought to administrative responsibility".

As will be: The project seriously limits possibilities of change of the judicial act if it leads to deterioration of the situation of the person made responsible. Such change is admissible only according to the complaint of the victim or official (Art. 47.27 of the Administrative Code Project).

Terms of the appeal of the judicial acts which have entered into force:

As now: The agrarian and industrial complex of the Russian Federation provides the following terms of the appeal of the judicial acts which have entered into force on the case of attraction to administrative responsibility: – 2 months (commencing on the effective date) – the cassation appeal in courts of districts (chapter of 35 agrarian and industrial complexes of the Russian Federation).

As will be: The project contains the uniform term during which the judicial act of attraction to administrative responsibility which has come into force can be appealed (in court of cassation and VS) – one year from coming into force of the last judicial act on the case of an administrative offense (Art. 47.41 of the Administrative Code Project).

Grievance procedure:

As now: The agrarian and industrial complex of the Russian Federation provides a uniform order of consideration by courts of cassation instance (courts of districts) of all categories of cases of administrative offenses with application of the general principles – collective nature, direct participation in court session of the persons participating in business (article of chapter of 35 agrarian and industrial complexes of the Russian Federation). Revision of the judicial acts which have entered into force by the Supreme Court is carried out by rules Administrative Code – individually and without call of the parties.

As will be: The grievance procedure provided by the Project on the acts which have entered into force differs in deep differentiation and complexity. Complaints on cases of rough offenses are considered previously individually by the judge (without call of the parties) who makes the decision on transfer or

refusal in transfer of the complaint to joint consideration on the merits. In case of transfer for joint consideration, it takes place with participation of the parties (Art. 47.37 of the Administrative Code Project). Complaints on cases of considerable and less considerable offenses are considered individually by judges without carrying out court session (Art. 47.40 the Administrative Code) [4].

Thus, it is possible to draw a conclusion that the project provides essential change of bases of the administrative legislation. Seriously the sizes of penalties increase. The representative for protection of the rights of businessmen Boris Titov also speaks about it, comparing these methods of punishment to draconian methods.

#### **Bibliography:**

1. Maria Shuvalova. New Code of the Russian Federation on Administrative Offences: what he can be. Union of Right Forces "Guarantor" of URL: <http://www.garant.ru/article/609176/> (date of the address: 3/1/2016).
2. <http://pravo.ru/voting/194/> (date of the address: 3/1/2016).
3. The report "The draft of the Code of Administrative Offences – start of new judicial reform?" / National research university "Higher School of Economics". Institute of legal researches. [Moscow.], on December 2, 2015. URL: <https://ilr.hse.ru/data/2016/02/01/1136894785/%D0%98%D0%9F%D0%98%20%D0%92%D0%A8%D0%AD%20%20%D0%94%D0%BE%D0%BA%D0%BB%D0%B0%D0%B4%20%D0%BE%20%D0%BF%D1%80%D0%BE%D0%B5%D0%BA%D1%82%D0%B5%20%D0%9A%D0%BE%D0%90%D0%9F.pdf> (date of the address: 3/5/2016).
4. <http://pravo.ru/review/view/125703/> (date of the address: 3/2/2016).
5. Natalya Klyuchevskaya. The draft of the new Code of the Russian Federation about administrative offenses is introduced to the State Duma. Union of Right Forces GUARANTOR. 12/18/2015 URL: <http://www.garant.ru/news/677824/#ixzz42PT9Ptrx> (date of the address: 3/2/2016).

## ANATOLY HORSES: THE FIRST LOVER FEMIDA

**Alexandra V. Uvarova**

3rd year student of direction Jurisprudence  
Achinsk branch of the Krasnoyarsk State Agrarian University  
Russia, the city of Achinsk

**Pavel V. Sorokun**

Research supervisor  
Cand.Hist.Sci., associate professor Department of Theory and History of State and Law  
Achinsk branch of the Krasnoyarsk State Agrarian University  
Russia, the city of Achinsk

**Abstract:** The bibliographic sketch and activity of one of the most outstanding lawyers in the history of the Russian law of A.F. Koni is presented in article. The author has submitted the analysis of professional activity and A.F. Koni's contribution to the Russian law, in particular formations of personal qualities of lawyers on the basis of development of the moral beginnings.

**Keywords:** Law, morality, right, morals. biography.

In the modern world the great popularity was acquired by the lawyer's profession. However there is a problem which is not that there are a lot of lawyers, and that few highly qualified specialists. The moral beginnings move on a background, and the law is on the party of those whose purse is more. As A. F. Koni claimed: "The educated lawyer, has to be the person in whom the general education is ahead special". He defended a position that the main precept, for the persons who have entered on a judicial field preservation of sincere purity and humanity has to be. [9] Life is many-sided and all her manifestations don't keep within legal regulations.

The behavior of the person is caused by a number of the different reasons. The big and honourable task is assigned to the lawyer who "shouldn't be limited to one knowledge of the right, cassation decisions, shouldn't close eyes before life, shouldn't be "supernumerary" in that sense as one representative of judicial department of the seventieth years understood this word, making it from the word "article", - No, he has to be widely and deeply educated person expert in the history, art, literature. With them the judge won't become the handicraftsman. Ignoring these conditions, the judge will lose sight of the highest subject of justice — the person" [6].

The big heritage which has, the extreme importance for history of the Russian legal proceedings were left by the famous Russian lawyer Anatoly Fedorovich Koni (1844-1927) [3]. In youth Anatoly Koni's father imparted to him, the fact that all people are equal. It can be seen in his memoirs: "Veins at us the footman Foka. I can't remember in what case it seemed to me that it has offended me, and I, in the heat of anger, called him the fool. It was heard by the father from the office and, having left, has painfully punished me and, having called then Foka, has ordered me to kneel before him and to apologize" [5]. For those times the importance of the person, was however as well as now measured by the size of his purse and the fact that Anatoly Fedorovich's father himself was respectful to all, even to servants and demanded from this son, thanks to it at A.F. Koni the moral beginnings developed and the respect for people took root. What has created it subsequently "Person" who differs from others. At Anatoly Koni sense of justice has been aggravated, and in the final qualification work he has written: "The power can't demand respect for the law when it doesn't respect him. If the power breaks the law, then the people have a right for revolution" [4]. For freethinking he has nearly rung out in prison, however he was forgiven, this idea was considered a youth error supposedly will mature, will think again, will become staid as everything, but it became his belief for the rest of life [3].

Therefore A. F. Koni, insisted that "the right and morality not the opposite concepts, but related having the general source - the moral ideals of the Russian people providing reasonable development of society where the judge has to be the servant, but not the footman of justice" [8]. Some authors have paid separate attention, to that as well as what was told by this famous person. In his words there was a lot of emotionality, he widely used estimated lexicon, at the same time he tried to be the most clear, without loading the listener unclear professional terms. "... In aspiration to the fact that it seems right, - Anatoly Koni emphasized, - the deep thought has to merge with the elementary word... it is necessary to speak everything that is necessary, and it is just necessary and to learn that it is better to tell nothing, than to tell nothing" [6]. The analysis of his speeches shows that the main objective, at any position what it borrowed,



there was not a belief someone in the correctness, and "opening of truth" on affairs in which he participated. A. F. Koni always acted as the impartial, pedantic researcher: all case papers were thoroughly studied, prepared by him for the purpose of establishment of truth. In the conclusions he was based only on proofs (testimonies of witnesses, these examinations, etc.). [1]

A. F. Koni emphasized: "Freedom of internal belief consists in relation to each proof that the proof it can be accepted the judge for the certificate of this or that circumstance only when, having considered him, having considered and having weighed, the judge finds him on the source and contents which aren't exciting doubt and worthy beliefs; in relation to all proofs together - that comparison, opposition and verification of one proofs by others is made not according to in advance traced program, and by reasonable critical work, the looking for truth degree available to the person..." [7]. He began the career by the prosecutor in the city of Kharkiv, at that time affairs solved officials yes police, bribes were in the nature of things, for peasants one laws, for petty bourgeois others worked, and for noblemen the third and everything were solved by purse thickness. "With strong don't fight, with rich haven't legal proceedings." [5] I there has suddenly arrived the young prosecutor, declared that he is in love with the goddess of justice – Themis, doesn't take bribes, puts in prison who doesn't follow. All considered that he simply the madman. But soon he was caused to St. Petersburg where his first business has thundered. In St. Petersburg all knew the merchant Stepan Ovsyannikov on whom fifteen times were opened criminal cases, but he always came off clear, knew, all will write off millions. And suddenly some prosecutor has approved his arrest, it was improbable. Ovsyannikov was indignant, he just couldn't believe in the events "Me the pervostateyny merchant into custody? Twelve million capital in prison? Yes still the legalist capable with me wasn't born to contend!" [9]. I was born. Anatoly Koni has accused the merchant of a windmill arson. Business was scandalous. Ovsyannikov rented a mill, and its owner wanted to lift a rent. "Then пуцай burns!" - the merchant has declared [9]. Anatoly Fedorovich has collected incontestable proofs of a deliberate arson. And all exactly nobody believed that the merchant will be put. Newspapers wrote: "won't pass also three days as Ovsyannikov will be released, but can, will lose weight by one million" [6]. Here that also happened impossible. His guilt was admitted by jurors [9]. For the first time in Russia the rich man as the mere mortal has gone to Siberia to serve sentence, and here all have understood that it is rather dangerous to start the law [9]. Society at last has felt that judicial reform has earned [6]. In career Anatoly Fedorovich had many cases which didn't keep within a framework of norms of society. However at any deal, endowing career, he even out of respect for the chiefs didn't make special mistakes. This famous person himself never crossed the law.

In the letter to M. N. Yermolova of October 15, 1925 Anatoly Fedorovich as if sums up the course of life: "I worked 50 years at a big scene of criminal court and justice, and I had to participate in dramas, tragedies and comedies of life. [4] I will tell more, I executed all ancient roles - I was a villain as the prosecutor in the opinion of the defendant; I was a noble father, directing jurors and preserving them against mistakes; I was a rezoner because as the ober-prosecutor had to explain the law to old men senators and - at last - I was and I consist the first lover of the goddess Themis, being present at her emergence in Russia instead of former a bessudiya and lawlessnesses, I loved her with all the heart and I made her a sacrifice. She has grown old now, teeth povypat, hair have turned gray, the bandage has fallen from eyes, but I after all love her and is ready to serve her... [4] "I have lived the life so that I have nothing to redden" [4]. The subsequent generations haven't tested already that sublime spiritual mood and severity to themselves. Ideals have gradually begun to be darkened, and moral tasks to recede into the background. Anatoly Fedorovich Koni, in our opinion, is a great lawyer. He was honest, fair. This person was constantly improved, not only in law questions, but also in other sciences and branches. He wasn't afraid to go "against system". Reading his works it is impossible to come off. So beautifully, it is clear and in too time he fairly expresses the opinion. To each lawyer, not very well the lawyer, the prosecutor or the investigator is to what to learn from him.

#### List of references:

1. <http://cyberleninka.ru/article/n/nravstvennye-nachala-v-ugolovnom-protsesse-obschie-cherty-sudebnoy-etiki#ixzz42OIXONNh> (date of the address: 3/5/2016)
2. <http://cyberleninka.ru/article/n/umenie-tverdo-pravit-slovom-sudebnye-rechi-russkogo-yurista-a-f-koni#ixzz42OIMPpjA> (date of the address: 3/7/2016)
3. Devyatkin E. V. Rytsar of justice (a moral position of a ritor in accusatory speeches of A. F. Koni)//the Russian speech. 2004. N of 1.11-14 pages.
4. Horses A. F. On a course of life. From notes of the judicial figure. Everyday meetings. SPb., 1912. T. 1.- 653 pages.
5. Horses A. F. Collected works: in 8 t. - M of 1967.
6. Horses A. F. Judicial speeches. SPb.: A.S. Suvorin's printing house, 1905. - 396 pages.

7. Smolyarchuk V. I. Anatoly Fedorovich Koni (1844 - 1927). M, 1982.-723 pages.
8. Judicial speeches of the famous Russian lawyers. M, 1957.-288 pages.
9. Fokov A. Judicial figure of Russia: Anatoly Fedorovich Koni//Russian judge. 2007. N 5. - Page 15-21.

# VICTIM ASPECTS OF PREVENTION OF CRIMES AGAINST SEXUAL INVIOABILITY

**Filippova Ksenia Yuryevna**

student branch Achinsk, Krasnoyarsk State Agricultural University  
3 Course, Law  
Russia, the city of Achinsk.

**Teplyashin Pavel Vladimirovich**

Supervisor - Ph.D. Associate Professor of Criminal Law and Criminology  
Achinsk branch of the Krasnoyarsk State Agrarian University  
Russia, the city of Achinsk

**Abstract:** This paper discusses aspects of victimization prevention of crimes committed against children and adolescents.

**Keywords:** sexual integrity, prevention, underage victim, sexual assault, sexual assault.

In recent years, particular attention is the problem of sexual integrity in adolescents. According to official figures, the country has committed every year more than 20 thousand crimes against sexual integrity, including victims of sexual crimes constitute 36% of underage children.

There are entire criminal "sect" of the community for the dissemination of pornographic products, involving minors in prostitution, sometimes taking them in different ways out of the country. Often, the fate of these children remains unknown. In connection with what is necessary to protect children from sexual exploitation and all forms of violence, which will include joint activities of law enforcement and civil society organizations, it is necessary to conduct preventive work with vulnerable groups; with children who have been abused in the past, social orphans, street children, families, chronic alcoholics, people with sexual disorders and mental abnormalities, as well as persons previously involved in the criminal liability.

Romanova OL Specialist defines the following criteria for the psychological harm caused to minors:

1. A small child does not understand what is happening. But it may experience physical and emotional pain during the initial sexual intercourse, the further it leads to negative attitudes towards sexuality.
2. Threats. Parent-child rapist bullying. The more his scare, the more trauma for the child.
3. If an adult who complained of a child, does not believe him and protects him, the experience of violence is becoming more traumatic for the child.

It is believed that in the XX century, there was a different attitude to the children who are worthy of the best conditions of care and comprehensive protection from any State. The first international instrument on the Protection of Childhood was established by the League of Nations, which called men and women all over the world to create conditions for normal, spiritual and physical health of the child. Children's rights in this document are considered as measures that need to be taken against slavery and trafficking in children, child labor and juvenile prostitution.

One more, important documents is the "Convention on the Rights of the Child", which defines the rights and freedoms of individuals. Children's rights include the right to protection from violence. For the most part the problem of sexual crimes against minors in Russia are engaged in social organizations. They are trying to assist not only the victims themselves, but also their families.

Constant drunkenness and alcoholism contributes to the formation of negative personality traits, antisocial attitudes, causing weakness and conflictual family relationships that lead to antisocial behavior. Therefore, great importance is the improvement of the microenvironment in which the formation of the identity of the juvenile. Since alcoholic parents are born physically weakened children, often with an organic lesion of the brain that affect psychosexual development.

A similar model of preventive work proposed Peregozhin L. O.:

- Creation of social and health services monitoring the health of the family, revealing the mental and actual sexual disorders, up to the organization podvorovyh rounds, officials identify troops, at risk, the approach of mental health care to the population, such as the creation of psychiatric offices at clinics;
- Create programs to combat the spread of drug addiction and alcoholism;

- Creation of educational programs, including special sexological education, foundations secure communication involving children and adolescents, parents, teachers, employees of social protection and police services;
- Active involvement of adolescents in work, creation of employment services for adolescents;
- Rehabilitation work with persons of criminal responsibility, the creation of psychological and psychiatric services, the widespread introduction of educational programs, adequate treatment of persons who are recommended outpatient compulsory observation and treatment by a psychiatrist within the framework of Art. Art. 22, 99 of the Criminal Code;
- Creation of specialized sexological treatment and rehabilitation centers with adequate medical, psychological and pedagogical staff (for example, on the basis of women's clinics, health centers);
- Active work in the media.

It should be noted that the organization of assistance to minors victims of sexual abuse is possible only if organized by the agencies of internal affairs, education, health and social protection of the population in the sphere of protection of the rights of children to be taken in the following areas: legal assistance; material aid; medico-psychological, pedagogical and other social assistance.

### **Bibliography:**

1. Alekseev AI Criminological profilaktika. M .: Norma, 2001. s.496
2. T. Volkova Victimological prevention. It requires training of the population to the rules of safe behavior // Russian justice. 2003. №1-p.69
3. Caprio F. The variety of sexual povedeniya. M .: Artania, 1995-352 with.
4. Kon Sexual Culture in Rossii. M .: Almaty, 1997 - 464 p.
5. Shikula IR To a problem victimological prevention of sexual offenses against minors. Questions of modern jurisprudence. 2013. № 27. S. 151-155.

# CONTRACTUAL MODE OF PROPERTY OF THE MARRIED COUPLES. TO QUESTION ABOUT MARRIAGE AGREEMENT

**Filippova Ksenia Yuriy**

student of the Achinsk branch of the Krasnoyarsk state agrarian university  
3 course, Jurisprudence  
Russia, city Achinsk.

**Fastovich Galina Gennad'evna**

Scientific leader: senior teacher of department of criminal law and criminology  
Achinsk branch of the Krasnoyarsk state agrarian university  
Russia, city Achinsk

History of marriage agreement leaves roots in beginning of civilization. As early as ancient Rome and Greece of man and woman, before to marry, entered into a contract in that described the relations. In Russia marriage agreements were entered relatively recently, in connection with acceptance of the new Domestic code Russian FEDERATION. Some citizens consider the debt, to make a marriage agreement, other think that this document destroys relations only, and someone is afraid that they will be deceived. For defence of the property got to celebration of marriage, and similarly bought in marriage, it is necessary to make an official record in that ownership rights will be prescribed both.

In accordance with an item 40 СК РФ the agreement of persons, entering into marriage, or agreement of the married couples, qualificatory property right and duties the married couples in marriage and (or) in case of his dissolution, confesses a marriage agreement.

A marriage agreement consists in writing and subject to the notarial certification (п.2 ст.41 СК of Russian FEDERATION). In obedience to an item 42 СК РФ right to set the mode of joint, by share or separate property the marriage agreement of wife on all property of the married couples, on his separate kinds or on property of each of the married couples. A marriage contract can be entered into both in regard to present and in regard to future property of the married couples. The married couples are right to define in a marriage agreement right and duties on mutual maintenance; to define property that will be passed to each of the married couples in case of dissolution of marriage, and also to plug in a marriage agreement any another position touching the property relations of the married couples.

A marriage agreement exists during many centuries, both in a foreign legislation and in Russia. In a difference from western marriage agreements, where the married couples can prescribe all aspects of relations, including the chart of cleaning up of house and time of viewing of telecasts, in Russia the subject of marriage agreement are only property relations. If, by law, all property *нажитое* in marriage is considered joint, then at the conclusion of marriage treaty, it is possible to change this moment and set particular treatment of joint, separate, and by share property article 40,42 Domestic codes of Russian FEDERATION). Also there is close dependence on marriage without that he can not exist originality of subject of agreement is matrimonial

A point of view of Н. Н. Тарусиной is in that a "theory of domestically legal agreement is while in the embryonic state", but the "special subject composition of domestically legal agreement, his kinds, aims, object and maintenance, including orientation on the general beginning of domestic legislation, is all creates necessary and sufficient pre-conditions for such theory".

Intermediate position is occupied by Л. Б. Максимович. She considers that a "marriage agreement can be defined as a civil legal instrument of the domestically legal adjusting of property relations between.

Thus, appearance of institute of marriage agreement does not mean that all persons at entering into marriage are under an obligation to enter into such contract. A law only gives a right independently to determine in a marriage agreement the property mutual relations in marriage to the future married couples and married couples, but does not obligate them to it. Essence of marriage agreement consists of that he allows to the future married couples and married couples consisting of marriage, independently to determine the property relations in marriage, and also - in case of his dissolution. In other words, a marriage agreement is a law for two. The married couples set the rules in property relations, and these rules, they are under an obligation.

## List of literature:

1. Гонгалю Б. М. the Marriage agreement: comment of domestic and civil legislation. М.: Statute, 2005.-578с.
2. Civil law. In 4 т. Том 1. General part. Textbook. 3th publ., перераб. and доп. Under ред. Е.А. Суханова. - М.: Волтерс Клувер, 2008.-698с.

3. Игнатенко А.А., Скрыпников Н.Н. Marriage agreement. Legal mode of property of the married couple s. -М., 2007.-112с.
4. Domestic code of Russian Federation" from 29.12.1995 N223-ФЗ (ред. from 30.06.2008).
5. [http://www.consultant.ru/document/cons\\_doc\\_LAW\\_8982/](http://www.consultant.ru/document/cons_doc_LAW_8982/).

# ON THE CONCEPT OF PHYSICAL EVIDENCE

**Khromenkova Elena S.**

3rd year student Department of Criminalistics of the Siberian Institute of Business, Management and Psychology  
Russia, Krasnoyarsk

**Voronin Sergey Eduardovich**

Supervisor Doctor of law,  
professor of the branch  
Achinsk, Krasnoyarsk  
state agricultural University

**Abstract:** The article deals with some current problems of the modern law of evidence. The author reveals in detail the legal nature of the evidence in the Russian criminal trial.

**Keywords:** process, evidence investigation.

Evidence form an independent kind of forensic evidence, along with the testimony of the witness and the victim, the accused and the suspect, expert opinion, the records of investigative and judicial actions and other documents. Open the nature of the physical evidence - it means to determine the total, which is characteristic of them as judicial evidence, and something special that sets them apart from other types of evidence. [1, p.112]

The concept of evidence, already thoroughly discussed in the scientific literature, but, nevertheless, both in theory and in practice, there are constant debates on specific aspects of the problem. The most important problem is the definition of evidence. The scientific definition of the concept involves the disclosure of its meaning, content and distinctive features. The Code of Criminal Procedure meets a number of definitions set out in this way. For example, Art. 69 Code of Criminal Procedure defining the concept of evidence points to its key attributes, Art. 83 Code of Criminal Procedure referred to evidence that gives reason to expect the disclosure therein the content and meaning of this concept, but instead in the law is not an exhaustive list of items which, according to the legislator, can be used as carriers of information relevant to the case. Therein lies one of the reasons why scientific controversy on this issue, rooted in the same problem use some physical evidence in practice. [2, s.298]

Let us now try to turn to the scientists and to consider how they give the definition of material evidence.

Ulyanov L.T. under physical evidence understands "... the objects of the material world, preserved properties, capable of establishing the circumstances relevant to the case, collected, validated and reviewed in accordance with the law" [3, p.142]

Mikhailov V.A. on this subject writes: "The physical evidence - are material objects (things) that bear the traces of the crime and in general contain an information for it to determine" [3, p.143]

Bobrov V.K. as a material evidence understands the "evidentiary material information carriers" [3, p.144]

Gutkin IM fully agrees with the concept of evidence, which was given in the Criminal Procedure Act and also understand them as objects of the material world. [1, p.113]

After analyzing these concepts, you will notice a pattern - all these authors, under physical evidence to understand things, things that are in any way related to the crime event, removed and attached to the case in accordance with the law. But such a definition is not enough physical evidence precisely and does not cover the whole range of objects, which in practice has to attach to the case as evidence.

As noted S.E. Voronin, evidence may indeed be very different, "... including makropredmety and microparticles, traces visible to the naked eye and visible to the eye armed optical or other technical means (under the microscope, with a particular light in the infrared, ultraviolet or X-rays and then photographed)" [4, p.135].

Of the variety of objects, which in practice do use as evidence are found, for example, and such as.. Biological, gases, solids, liquids, dust, etc. If you look closely at the generally accepted notion of evidence, we can see that they are determined, first of all, as objects of the material world, and these objects is difficult to bring under the term "items" or "things".

From this it follows that it is possible to virtually eliminate sources of evidence such expert research as odorologiya, the study of petroleum products and fuels and lubricants, potozhirovyh substances, animal oils and fats, drugs, coatings, human excreta, explosives, microscopic objects, alcohol-containing

liquids, many food products, plant seeds, and other psychotropic substances. associated with these objects of examination. Meanwhile, the practice is widely used these objects, subjects them to expert research and operates the information received as a probative. [5, p.188]

Legislative definition of physical evidence in the present-day Russia is casuistic in nature, it is an open-ended list of possible species. Material evidence as a whole, can be defined as some items that by virtue of their objective characteristics, as well as relations with other circumstances may serve as a means to establish the cause of the unknown on the circumstances. This implies an irreplaceable character evidence.

Thus, considering all the above, we believe that Art. 81 Code of Criminal Procedure should be amended to make additions, such as "material evidence are any objects, substances, micro-objects and biological objects in any aggregate state, which served as instruments of crime or preserved traces of the crime, or have been victims of criminal acts or in some other way which can help to establish the circumstances relevant to the criminal case"

### **Bibliography:**

1. Voronin, SE Dialogues of the criminal trial of Russia: Monograph / SE Voronin. Khabarovsk: Publishing house of the Far East law institute of Ministry of Internal Affairs of the Russian Federation. 2007.176 with.
2. Voronin, SE Theory and practice of investigation of crimes in the sphere of migration security: Monograph / SE Voronin, IV Nikitenko, DD Kaplun, VN Skorik. Krasnoyarsk: Publishing House of the Siberian Institute of Business, Management and Psychology. 2015.488 with.
3. Criminal procedure. Overview: Textbook / VP Bozhyev. M. : Spark, 1997. 404 c.
4. Voronin, SE Situational modeling in forensics: Monograph / SE Voronin. Krasnoyarsk: Publishing house of Krasnoyarsk State Agrarian University. 2013. 159 p.
5. Voronin, SE Organization of a criminal community: the criminally-legal and forensic aspects: /S.E Monograph. Voronin, ES Voronin AM Zheleznyakov. Krasnoyarsk: Publishing House of the Siberian Institute of Business, Management and Psychology. 2015. 328 p.



# **PROBLEM OF COLLECTING EXPENSES ON FEE OF THE REPRESENTATIVE IN THE TYPE OF "THE SUCCESS FEE"**

**Mikhail Y. Sharapov**

3th year student of the Law faculty  
Southern Federal University  
Russia, the city of Rostov on Don

**Sofia L. Simonyan**

Research supervisor  
Cand.Law.Sci., associate professor Ekonomika  
Southern Federal University  
Russia, the city of Rostov on Don

**Abstract:** The article addresses the issue of the legalization of the institute of "the success fee" and the related question of recovery of costs for services of the legal representative in the form of "the success fee". The author considers the decision of the Constitutional court of the Russian Federation and dissenting opinions of certain judges of the Constitutional court of the Russian Federation on the stated problem. The author comes to the conclusion about the need for legislative regulation of the considered institute and its legalization.

**Keywords:** legal service, success fee, court costs, constitutional court.

The problem of recognition by courts of legitimacy of inclusion in the contract for representation of the interests in court of a condition about remuneration to the representative for his services depending on the result of the judicial proceedings called more often as "the success fee" does not lose its relevance. Moreover, discrepancy of jurisprudence on the matter emphasizes the practical value of this question.

In the resolution dated 23.01.2007 of No. 1-P the Constitutional Court of the Russian Federation specified that according to the articles 779 and 781 of the Civil code of the Russian Federation "the legislator has not included in the subject matter of a service agreement the achievement of a result for the sake of which it is concluded" [1], as compared to a contractor agreement, for example, in which the result is a component of the subject matter. The customer's duty to pay for legal services, as specified by the Constitutional Court of the Russian Federation, cannot depend on the decision which the government body may take in the future. Thus, the Constitutional Court of the Russian Federation has forbidden the so-called "fee of success", having specified that the parties cannot cause remuneration payment by adoption of the concrete decision by court as according to the current legislation the judgment cannot act as either an object of someone's civil rights, or a subject of any agreement.

However, we can see other points of view on this issue. For example, dissenting opinion of judge KS of the Russian Federation A. L. Kononov, which is manifested in the following. First, the decision of the constitutional court of the Russian Federation on the imperative requirement of the law about not including the subject of this agreement result for which he is, judge A. L. Kononov expressed the following position: "any imperative this rule does not contain. Even on formal logic: not mentioned does not mean exclude". Secondly, the notion that a judicial act is not related to the result of the contest of the parties and does not depend on their procedural actions and efforts, is erroneous. Thirdly, the condition of a "success fee" does not interfere in the prerogatives of the court and does not encroach on the autonomy and independence of the judiciary. And finally, fourth, "the view that the resolution of the property dispute by a court or other jurisdictional body has nothing to do with attitude, effort and participation in the process of legal representative of the interests of the parties under the contract of legal services, would be contrary to the purpose of the principle of adversarial process" [1].

Note that the Russian constitutional court itself pointed to the importance of measures taken by parties in one of their rulings [2]: the judge "often, assesses the circumstances without having sufficient information (sometimes concealed from him)", "...the activity of the court in collecting evidence is limited". In the civil proceedings in addition to the implementation of the principles of competitiveness and equality of the parties, there is inherent in this type of proceedings the principle of optionality, according to which proceedings are instituted, moving from one stage to another or stopped under the influence, mainly, of the initiatives involved in the case. Each party prove the circumstances on which it relies in support of its claims and objections.

Despite a de facto ban of the success fee by the Constitutional court, in 2007, the SAC adopted a resolution, in paragraph 6, which admitted the possibility of inclusion in the agreement conditions the payment of remuneration to the representative, the obligation to pay and the size of which was caused by the outcome of the proceedings (the terms "success fee") [3]. It was stated that a claim for such legal costs shall be subject to satisfaction taking into account an assessment of their reasonable limits. Therefore, at present, there is contradictory jurisprudence: some courts satisfied the requirement about collecting with "losers" side of the success fee, adhering to the position expressed by the SAC [4], others deny such claims, citing the position of the RF constitutional court [5]. In practice, much more common judicial opinion, it is following the ban of the constitutional court for a success fee.

In this context, it is necessary to note the separate opinion of judge N. With. Cooper on the same decision of the constitutional court of the Russian Federation dated 23.01.2007 No. 1-P: the decision can be viewed as involving "the ability and ultimately the legal feasibility to implement the special legal regulation of the procedure for the provision of legal services by the use, under certain conditions, and for established at the legislative level, the Institute contingent consideration (the "success fee")".

Therefore, in our opinion it is necessary to legalize the institution of a contingency fee (success fee) given that: a) the courts increasingly began to make decisions, adhering to the position that permits a "success fee"; b) legal regulation of surrogacy is not conducive to the uniformity of judicial practice on this issue; b) legalization of the Institute of the contingent consideration would increase the freedom of the parties in determining the terms of the agreement that is fully consistent with the civil law; g) category of "reasonableness" court costs protects the "losing" side against possible abuses of their right to recover legal costs by the party in whose favor the court's decision.

#### **Bibliography:**

1. The decision of the constitutional Court of the Russian Federation of 23 January 2007, N 1-P "On business about check of constitutionality of provisions of item 1 of article 779 and of item 1 of article 781 of the Civil code of the Russian Federation in connection with complaints of limited liability company "Agency of corporate safety" and the citizen V. V. Makeev" // the Bulletin of the constitutional Court of the Russian Federation. 2007. No. 1.
2. The decision of the constitutional Court of the Russian Federation dated 25.01.2001 N 1-P "On business about check of constitutionality of provisions of paragraph 2 of article 1070 of the Civil code of the Russian Federation in connection with complaints of citizens I. V. Bogdanova, A. B. Zernov, S. I. and N. kalianov.In. Trukhanova" // "Collection of legislation of the Russian Federation", 12.02.2001, N 7, item 700
3. Information letter of Presidium YOU the Russian Federation from 05.12.2007 No. 121 "Overview of court practice on issues connected with distribution among parties court costs for payment of services of lawyers or other persons acting as representatives in arbitration courts" // the Bulletin YOU the Russian Federation", N 2, February, 2008
4. Definition of Arbitration court of Moscow dated 20.09.2012 on the case № A40-35715/10-141-305. URL: [http://www.msamoylov.ru/?dl\\_id=150](http://www.msamoylov.ru/?dl_id=150) (reference date: 28.02.2016)
5. The decision of the Arbitration court of Moscow dated 09.01.2014 in the case № A40-105540/13. URL: [http://kad.arbitr.ru/PdfDocument/7015afa3-2e18-4267-ba18-7161fd0999f4/A40-105540-2013\\_20140109\\_Reshenija%20i%20postanovlenija.pdf](http://kad.arbitr.ru/PdfDocument/7015afa3-2e18-4267-ba18-7161fd0999f4/A40-105540-2013_20140109_Reshenija%20i%20postanovlenija.pdf) (reference date: 28.02.2016).

# LEGAL MEANS ENSURE THE PARTICIPATION OF YOUTH IN THE POLITICAL SPHERE COMMUNITY

**Kirill N. Shiryaev**

The student of 1 course of the Department of Theory and history of state and law  
Krasnoyarsk state agrarian University  
Russia, city of Krasnoyarsk

**Ivan V. Teplyashin**

Supervisor  
cand. jurid. Sciences, Associate Professor  
of the Department of Theory and history of state and law  
Krasnoyarsk state agrarian University  
Russia, city of Krasnoyarsk

**Abstract:** This article reveals the contents of the legal means by which young people have to participate in the political life of the state. The article identifies some of the problems of participation of young citizens in the administrative sphere.

**Keywords:** youth rights, remedies, youth policy, the political sphere.

In modern conditions of formation and development of the rule of law and civil society in Russia particularly important, issues of youth work, the formation of the legal culture of youth, protection of their rights, granting her rights.

Youth has always been the foundation of any state. Therefore, the problem of the rights and freedoms of young people is very relevant in legal science, particularly in the rule of law.

In the Russian Federation there are quite a large number of legislative acts which directly concern the rights of young people. At the same time a direct legislative regulation is not, and even if there is, it is not enough clear.

"State protection of rights and freedoms of man and citizen in the Russian Federation shall be guaranteed" [h. 1 tpsp. 45 Russian Federation] of the Constitution. It is possible to draw conclusions about the presence of the rights of youth to participate guarantees for the protection of their rights by the state.

So in the political life of contemporary Russian society is natural, after-allocated following forms of political participation of young people.

1. Participation in the voting. Political status molo-dezhi determined by real rather than formal predo-stavlyaemyi opportunities to influence ras-stanovku political forces in society through participation in the vote.

2. Predstavitelnoe vla-sti participation of youth in the Russian Federation and bodies of local self-government. It finds practical expression in the implementation of group-povyh interests of young people through its representatives in the government.

3. Participation in the activities of political parties. This form of political participation of young people is directly aimed at the reproduction and updating politichesko-y structure of society.

4. Creation of youth organizations, movements. Creation of Youth public councils today to the issue of youth policy is paid close attention to the state.

Tips are a kind of a discussion platform for the assessment and implementation of youth initiatives.

5. Uchastie youth in the implementation of public control. It is expressed, for example, the participation of young people for an independent investigation mechanisms.

6. Participation of youth organizations in the protection of public order.

8. In particular interesting is a new form of interaction between youth parliamentarism - the system of representation of the rights and legitimate interests of young people as a particular social group, based on the establishment and operation at government agencies. Thus, in Russia the Public Youth Chamber of the State Duma of the Federal Assembly of the Russian Federation.

We can distinguish the following basic functions of youth parliamentary structures: Representation of interests of young people in government, Participation in the field of the state youth policy, Training of young cadres, carrying out socially significant activities, the implementation of state and local programs.

The above-mentioned features of the youth as a subject of political relations significantly konkretno-ziruyutsya in Russian society. Its specifics are political consciousness and participation by young

people in the political life of the individual regions. Vmeŕste so common is an urgent need to poliŕticheskoj integration of young people in order to stabilize rossiyskogo society.

It is necessary to further develop the legal, organizational and economic mechanisms of youth associations, support their innovative programs and projects, including on the basis of youth clubs, youth centers, social institutions.

#### **Bibliography:**

1. Burtsev V. Youth policy - the ideology and principles of the / V.Burtsev // Man and labor. - 2007. - № 1. - S. 22-24.
2. "The Constitution of the Russian Federation" (adopted by popular vote 12/12/1993) (taking into account the amendments made to the Law on Amendments to the Constitution of the Russian Federation from 30.12.2008 N 6-ERP from 30.12.2008 N 7-FCL, by 02.05.2014 N 2-FKZ) // "Collection of the legislation of the Russian Federation», 14.04.2014, N 15, Art. 1691.
3. Resolution of the State Duma of the Federal Assembly of the Russian Federation of 04.07.2001 number 1742-III "On the Public Chamber of the youth of the State Duma of the Federal Assembly of the Russian Federation."

## WAYS OF DEALING WITH ABSENTEEISM IN MODERN RUSSIA

**Shikhovtsova Xenia E.**

2nd year student of direction "Jurisprudence"  
Law Institute of Siberian Federal University  
Russia, city of Krasnoyarsk

**Tepliyashin Ivan V.**

c. J. s, Professor of Department of constitutional,  
administrative and municipal law  
Law Institute of Siberian Federal University  
Russia, city of Krasnoyarsk

**Annotation:** The article considers the most pressing for Russia, the problem of conscious refusal of participation in voting. The reasons for the low interest of Russian citizens in politics. The ways of solving this problem taking into account specificity of the Russian society.

**Key words:** democratic elections, the Russian absenteeism, electoral law, political system of society, civil society.

Absenteeism is a term with several meanings, each of which is the notion of absence. In constitutional law absenteeism means non-participation in voting on elections and referendums of the citizens having active suffrage, or, in a broader sense, the indifferent attitude of the population to political life [1].

The level of absenteeism in the state characterizes the state of the political system, the attitude of the citizens towards it. Ignoring a vote or referendum can be a form of passive endorsement of the prevailing political situation, and Vice versa – a form of expression of discontent with the authorities, distrust of political institutions.

There are many reasons of evasion of citizens from participation in elections, which can be divided into objective and subjective. Subjective reasons are individual and psychological qualities of the voter, the specificity of its culture, including political, socio-psychological state at the time of the election. The objective can be attributed to the level of elections, the level of socio-economic status of the society [2].

The absenteeism phenomenon is also typical for Russian society. For several decades the turnout at the Federal level does not exceed 70%. The turnout at the local and regional elections is much lower [3]. In Russia, in my opinion, there are two main causes of absenteeism. First, the peculiarity of the political culture of society, which is characterized by a low degree of trust in state institutions. This is largely due to the long alienation of society from power, the actual participation of citizens in political decision-making.

Another important reason for evasion from voting is the socio – economic state of society. These numerous surveys indicate that the population with lower income levels are more likely to exercise absenteeism. This is because citizens with average and permanent income are interested in the stability of society, so they are forced to participate in political life. Then, as people with low levels of wealth don't feel the need to participate in elections, as we are sure that this will not affect their lives.

In modern Russia there is a tendency of increase of level of absenteeism, which raises the need for appropriate measures to combat this phenomenon.

One way to increase the number of voting people is to increase the level of political culture of citizens. In my opinion, this is one of the existing control measures. This is because the main reason for low turnout is the reluctance of citizens to participate in public life, they do not see any benefit from participation in voting and referenda. To affect the adult population is very difficult, as they have already formed world view, it is therefore necessary to instil respect for elections and referenda through the younger generation. For this purpose it is necessary to involve pupils and students into political life through the conduct of various role-playing games, holding meetings where they will talk about the importance of elections.

As mentioned earlier one of the reasons of evasion from participation in voting is lack of interest of the population with low incomes participation in the political life of the country. To involve these segments of the population in elections and referendums you need to solve urgent socio-economic problems of the country, to increase their income and give them confidence in the stability of society.

The current way of dealing with low attendance of elections is the introduction of the column "against all" in ballot papers. This graph was used in Russia since 1991, but in 2006 was eliminated with the adoption of the Federal law dated 12.07.2006, No. 107-FZ "On amendments to certain legislative acts of the Russian

Federation in the abolition of voting against all candidates (against all lists of candidates)" [4]. After the abolition of graphs absenteeism has increased due to the so-called "protest" population count "against all" was allowed to participate in the management of the state through the expression of his negative attitude to the candidates and parties. Despite the fact that in may 2014, this graph was introduced at elections to bodies of local self-government, it did not increase voter turnout, as local elections are not popular among the population.

Another way of increasing the number voting in elections is the introduction of new forms of vote – by mail or via the Internet, SMS voting. At the moment the Federal law dated 12.06.2012 № 67-FZ "On basic guarantees of electoral rights and the right to participate in referendum of citizens of the Russian Federation" provides for the introduction by law of a constituent entity of the Russian Federation the voting of voters, referendum participants by mail (p. 14 article 64) [5]. In my opinion, it is necessary to broaden the scope of voting by mail to the Federal level, thus, the voters who will not be able to participate in the voting due to time constraints, will be able to send their opinions through e-mail.

#### **Bibliography:**

1. Graph. I. V., Jaremski D. G. Legal ways to overcome absenteeism in foreign countries II Bulletin of the Tyumen state University. – 2008. – No. 2. – P. 54-59.
2. Arinin I. K. Absenteeism in politics: causes and consequences II charged to the account of Kazan University. Series of humanitarian Sciences. – 2014. – Vol. 156, No. 1.- P. 214-220.
3. Belyaev A. Yu., Tarasov E. N. The trend of absenteeism in the modern Russian society II Power. – 2013. – No. 5. – P. 43-45.
4. On basic guarantees of electoral rights and the right to participate in referendum of citizens of the Russian Federation: the Federal law of may 12, 2002 No. 67-FZ (ed. from 15.02.2016 G.).- Access mode: The ConsultantPlus System.
5. On amendments to certain legislative acts of the Russian Federation in the abolition of voting against all candidates (against all lists of candidates): the Federal law dated 12 July 2007 № 107-FZ (as amended on 22.02.2014). – Access mode: The ConsultantPlus System.

# INTERNATIONAL LEGAL BASES OF PROTECTION THE RIGHTS OF CITIZENS WITH LIMITED OPPORTUNITIES

**Shurupova Elena Aleksandrovna**

Student 3 courses of department of Criminal law and criminology  
Achinsk branch of Krasnoyarsk state agricultural university  
Russia, city of Achinsk

**Fastovich Galina Gennadyevna**

Research supervisor  
senior teacher of department of criminal law and criminology Fastovich G.G.  
Achinsk branch of Krasnoyarsk state agricultural university  
Russia, city of Achinsk

**Abstract:** Currently there is a significant increase in the number of citizens with disabilities. The violation of the rights of citizens with disabilities and lack of opportunities for their active participation in the Affairs of the state leads to social inequality. In modern conditions ensuring a decent standard of life of citizens with disabilities is only possible through international cooperation and the development of binding international legal norms to protect them.

**Keywords:** human rights, citizens with disabilities, international cooperation, social equality.

According to the Convention on the rights of disabled people of December 13, 2006 No. 61/106 protection of human rights, including physically disabled person, - one of the main tasks of the international private law.

Before starting consideration of a question of protection and encouragement of the rights of citizens with limited opportunities, to decide pertinently on terms and definitions.

The disabled person - the person who has the violation of health with permanent disorder of functions of an organism caused by diseases, consequences of injuries or defects, leading to restriction of activity and causing the necessity of his social protection.

And conditions of their life the attention not only in each country separately, but also in the international and regional scales is paid to improvement of the situation of citizens with limited opportunities. The special attention is deserved by the international cooperation of the states in protection of the rights of citizens with limited opportunities.

In formation of international legal bases of protection of the rights of citizens with limited opportunities very important role was played by the United Nations, World Health Organization, etc. From the very beginning of the existence the United Nations paid attention to position of persons with limited opportunities and to improvement of conditions of their life. The UN has been founded on the principle of equality of all. The charter of the UN confirms the advantage and value of each person and assigns an important part to assistance of social justice (preamble). Persons with limited opportunities de facto possess fundamental human rights according to the Charter of the UN and other documents on human rights.

Since the end of the 1960th, new social models for work with citizens with limited opportunities begin to be developed and take root. In the Declaration of social progress and development accepted on December 11, 1969 the fundamental freedoms and the principles stated in the Charter of the UN have been confirmed and need of protection of the rights and wellbeing of persons with limited opportunities is emphasized.

The 1970th have marked themselves new approach to disability problems. The concept of human rights for persons with limited opportunities became more accepted at the international level.

December 13, 2006. The hectare of the UN consensus has adopted the Convention on the rights of disabled people and the Optional protocol to her.

The convention has come into force on May 8, 2008. Now Conference of the State Parties meets annually and elects members of the committee by the rights of citizens with unlimited opportunities. As the first complex international legal document which is specially intended for persons with limited opportunities, provisions KPI reflect global consensus and the authoritative comment how the countries have to fulfill the obligations in relation to persons with limited opportunities.

This Convention consists of a preamble and 50 articles which contain the general principles and the concrete rights of persons with limited opportunities, the obligation of the State Parties, other parties (including the organizations of regional integration) on ensuring realization of these rights, and also measures, mechanisms for support of her implementation and monitoring are provided. Important achievement of the Convention consists in the content of the concept "disabled person". According to Art. 1 "to disabled people persons treat with steady physical, mental, intellectual or touch violations which at interaction can stir them with various barriers full and effective participation in life of society on an equal basis with others".

In the Convention on the rights of disabled people the role of the international cooperation admits encouragement, protection and ensuring the rights of citizens with limited opportunities. In a preamble it is told about "importance of the international cooperation for improvement of living conditions of citizens with limited opportunities in each country, especially in developing countries".

But for effective development of international legal norms on protection of the rights and freedoms of citizens with limited opportunities of the state have to not only support cooperation at the international level, but also take appropriate measures at the national level.

Norms of international legal protection of human rights became a factor of legal protection of the person in Russia, they have huge value for the internal law of the Russian Federation in general and interindustry institute of legal protection of the person in particular. Action of system of international legal protection of fundamental human rights in general leads to changes in the national legislation of Russia according to the established international acts of human rights and the conventions conventional by standards, Federalny the law of 24.11.95 can serve as an example to No. 181-FZ "About social protection of disabled people in the Russian Federation"

Today, the states should develop cooperation with the international and regional organizations, to interact with civil society and the organizations of persons with limited opportunities. Only thus citizens with limited opportunities can live the life as equal members of society.

#### **List of references:**

1. The World Programme of Action of the UN concerning disabled people. - New York, 1983.
2. Convention of the UN on the rights of disabled people of 2006.
3. Resolution of the Governments; The Russian Federation of August 12, 1994 No. 927 "About ensuring formation of the zhiznedeyakelnost environment, available to disabled people".
4. The standard rules of providing equal opportunities of disabled people attached to the resolution 48/96 of General Assembly of December 20, 1993.
5. Human Rights Council. A case study of the Office of the United Nations High Commissioner for Human Rights on a role of the international cooperation in support of national efforts on realization of the rights of disabled people. And / HRC/16/38. 2010.
6. Federal the law of 24.11.95 No. 181-FZ "About social protection of disabled people in the Russian Federation"



## *Section №7*

# Humanization of scientific knowledge in the modern Russian reality

### THE ROLE OF THE FAMILY IN SHAPING THE CHILD'S PERSONALITY

**Natalia Bikmuhametova**

first-year student, law.

Achinsk College industry technology and business  
Russia, Achinsk.

**Irina Sitnikova**

teacher of history and social science.

Achinsk College industry technology and business  
Russia, Achinsk

**Annotation:** in article questions of formation of the child's personality in the process of family education.

**Keywords:** family, socialization and upbringing.

Among various social factors affecting the formation of personality, one of the most important is the family. Traditionally, the family is the main Institute of education. What man acquires in the family, he retains throughout later life. The importance of the family due to the fact that in it man is for a considerable part of his life. The family lays the foundations of personality. The family a person creates a notion of home not as a place where he lives, but as a feeling, a feeling of a place where he was waiting for, love, appreciate, understand and protect. The family plays a fundamental role in the formation of moral principles, principles the child. Family creates personality or destroy it, in the power of family to strengthen or to undermine the mental health of its members. The family encourages some personal desire, while hampering others, satisfies or thwarts personal needs. Family structures the possibility of achieving security, of pleasure and satisfaction. It shows the limits of identification, contributes to the emergence of the self image of "I".

If the family strongly affect the processes and outcomes of identity formation, the family must give priority to society and the state in the organization of proper educational influence. A strong, healthy, spiritual families - powerful state. Parents are first teachers - have the strongest influence on children. Even J.-J. Rousseau had argued that each caregiver can have less influence than previous. Parents are previous to all the others, It is in the family, the individual gets first experience, so it's important what family the child is brought up: in a prosperous or underprivileged, complete or incomplete. So what are the tasks of the family? They are to:

- to create maximum conditions for the growth and development of the child;
- to ensure the socio-economic and psychological protection of the child;
- to transfer the experience of creation and preservation of family, education of children and attitudes towards older people;
- to teach children useful applied skills aimed at self and help your loved one;
- to raise self-esteem, values of the self.

The family is the first school of the child's communication. In the family the child learns to respect my elders, care for the elderly and the sick, to help each other. In communicating with loved ones child people, in a joint household labour, he formed his sense of duty and mutual assistance. Children are especially sensitive to relationships with adults, do not tolerate moralistic, sharps, orders, hard senior rudeness, distrust

and deception, meticulous control and suspicion, dishonesty and insincerity of parents. The success of education in the family can be achieved in the case when created favorable conditions for the growth and full development of the child.

The relevance of the topic that the modern system of education in Russia is characterized by the search for a new philosophy of education . In this connection, the interaction of family and community in raising children. The modern world is entering a new era: the formation of a unified market of the world economy, providing opportunities not only to welfare, but also to the emergence of new problems. There is an increasing lack of spirituality in society, there is a discrepancy between value systems and life orientations tasks that need to be addressed to mankind not only today, in order to have a decent life, but also to avoid impending disaster.

The aim of our study was to explore and identify how family influences the formation of child's personality. In our work we have tried to find answers to the question: does the family has in modern society is important for the identity formation of the child? Because today's parents less and less able to communicate with their children. Not devoting enough time to education. Often a child left to himself. Spend time watching TV, the computer, in social networks, in contact, on the street with friends. Do you agree with these students studying in our school. We conducted a survey and asked them the following questions: What is family for you? What role has your family played in shaping your identity? Do you think that the family is a social institution, which shapes personality? or are there more factors and social institutions that influences how a child grows (if Yes, what); what qualities you would like to raise their future child? and others.

The survey involved respondents aged 11 to 35 years. Women 17, men 9 человек. Conclusion we can make in the handling of questionnaires : each of the respondents considered the family as a primary cell of the society structure. Everyone understands the importance of education in the family and the influence of parents on how to grow their child. Everyone wants to grow up smart, kind, caring, hardworking, purposeful children. To understand and be able to distinguish between good and evil. Consider that in addition to parents on the development of child's personality, especially in adolescence, is influenced by friends and media. They give patterns of behavior, form the culture of communication and values. Therefore it is very important what kind of programs, movies and music your child listens to, what Internet sites draws information. And how is his own opinion and attitude to different aspects of society.

Thus, we confirmed the hypothesis that the family largely influences the formation of child's personality especially in early childhood.

#### **Bibliography:**

1. Y. Iezhnina the Family in value orientations //Sotsis, 2009. No. 12
2. Mustaeva F. Social problems of the modern family //sociological studies, 2009. No. 7
3. Dementieva I. Social wellbeing of the family //sociological studies, 2008. No. 9

# THE WORD "CRIMINAL" IN THE DICTIONARY AND SPEECH

**Christina S. Havrylets**

1st year student of the Department of Theory and History of State and Law  
Achinsk branch of the Krasnoyarsk State Agrarian University  
Russia, Achinsk

**Paderina Larisa**

scientific director  
k.filol.n., assistant professor of civil law and philology  
Achinsk branch of the Krasnoyarsk State Agrarian University

**Abstract:** The article is devoted to the concept of "criminal", namely the interpretation of the term in the dictionary in the speech of Russian citizens.

**Keywords:** professional activity, active reserve, the term, criminal, cross, law, norm. During the preparation of vocational training is important to accurately and clearly have an idea about the basic concepts of the profession, so we, as future lawyers, stopped on the concept of "criminal". The choice was not accidental, because word is active both in the professional field of law and in the domestic sphere.

During the preparation of vocational training is important to accurately and clearly have an idea about the basic concepts of the profession, so we, as future lawyers, stopped on the concept of "criminal". The choice was not accidental, because word is active both in the professional field of law and in the domestic sphere. The historical dynamics of the concept very carefully considered OS Frolova. In the present study we show that the meaning of a word is specified, from the XVIII century to the present day. It is noteworthy that the author traces the following changes: "Dictionary of the twentieth century mark konkretiza-tsiyu values and even the formation of narrow section of the word criminal. The interpretation does not turn the noun law pri-sutstvovavshee in lexicographical sources of the XIX century. Steady comparisons extend the notion of perpetrator: on the one hand mistreated him, on the other - he is hiding from justice: in the first case, the speaker itself with the law enforcement agencies, in the second with a criminal himself. The texts of XVIII, XIX centuries. authors often turn to the interpretation of the psychological state of prestupni-ka: his pale and trembling, in the twentieth century - a pathological attraction to the victim and the crime scene "[7, c.44]. During the study, researchers noted fluctuations in the number of concepts of values: from one to three. This depends on the fact that the foundation is placed lexicographers term. As a rule, now in dictionaries holds at least two interpretations: 1) the person / entity who commits or has committed a crime // [3, p. 415; 6, s.784; 5, s.402; 9; 13], 2) one who makes something forbidden, unauthorized or harmful to anyone, anything [2, s.715; 4, s.609; 7]. Analysis of additional electronic sources allows to select similar interpretations, but with some modifications: 3) A person who commits a criminal offense [10]; 4) "criminal" should be used only as a formal, that is, not reflecting the presence of a person of any special characteristics of the crime, and the fact that a person has committed a crime. [11] As follows from the examples, in which the emphasis on the legality of the decision of the crime, while O. Frolova clarifies the difference between entries of the XX century: care in the interpretation of an Act. We see that this trend is still there. For more accurate representation of the essence of the concept of "criminal" and understanding its meaning ordinary citizens we conducted quiz residents of Achinsk (total - 68). We offered participants a survey without any prompting, reasoning here and now quickly write their own understanding of the word. We obtained the following results: to the different positions, ranging from legal to consumer. Some respondents tried to clarify the term through synonyms: a thief, a murderer, foe, cheater, scum. The research materials emit such synonyms as bandit hanged, thug, robber, sinner, sinner, evildoer, malefactor, a rapist, a scoundrel, wicked.

Analysis of the data suggests that modern citizens understand the term "offender" in its essence is clear: "Man, Walk the Line." Most of them share such a position - 54% of respondents had used some of the sacrament "ignores" that does not necessarily imply "cross" - 4%. At the same time, they are suitable hangman, Pirate, indulgence, indulgence, indulgence, offender, thief, murderer, filibuster, predator, marauder; spook words offender: the villain, the offender; seppuku words culprit: the thief, a swindler, a suicide bomber, murderer, extortionist, racketeer, briber, embezzler, urkagany traitor, Urca, killer, murderer, thief,

<b>The interpretation of the concept</b>	<b>%</b>
The culprit - a man who has violated the law / crime committed	54
The offender - a person who ignores the law	4
The criminal - law-abiding person who is a danger to society, carrying harm people	8
The offender - a person who has committed an offense against people or animals	8
The culprit - a man who has violated the law or rules of law adopted by the Government	7
The culprit - a man who has committed a crime, stepping over the law, both the public the spiritual	7
The culprit - a man infirm, who could not find a way out, but to commit a crime	4
The offender - a person who has committed an act in relation to another person	4
The culprit - not credible person, in appearance, behavior and actions	4
<b>in total</b>	<b>100</b>

jailbird, bandit, bandyuki, regicide, fortochnik, pickpocket, pirate, robber, parricide, hijacker, Ripper, authority, safecracker [1]. A comparison of the token gives the opportunity to celebrate the mismatch: achintsy gives new synonyms - foe, scum (Expres.).The following conclusions can be formulated on the basis of the data:1) interpretation of "criminal" concept in different contemporary encyclopedic sources retain the basic meaning "to transcend"2) the basic meaning of the word to be confirmed depending on the priority for the author-compiler of definitions: committing or has committed a crime / carries criminal penalties (overstepped the law), made ill (crossed through rate)3) in the speech of Russian citizens, namely the inhabitants of the town of Achinsk, Krasnoyarsk Territory, we note a wide range of interpretation: from strained his appearance, behavior before the violation of religious and legal laws. In our opinion, it is the preservation of the Russian people since the dual approach to all phenomena of reality;4) modern dictionaries do not cover all the existing range in the description of the term "offender", focusing only on a narrow field of use.

### **Bibliography:**

1. Analysis of the word criminal. // [Http://www.reright.ru/analysis/553905~преступник.html](http://www.reright.ru/analysis/553905~преступник.html) [Visit Date: 26/03/16 Mr.]
2. Ephraim T.F. Explanatory Dictionary of the Russian language. М.: Russian language, 2000
3. Kozlova T.I. Explanatory Dictionary of the Russian language. / Ed. NP Kabanova. М.: Iris Press, 2006
4. Kuznetsov S.A. Explanatory Dictionary of the Russian language. SPb.: Norint, 1998
5. Mikhailov O.V. Explanatory Dictionary of the Russian language. Petersburg.: LLC "Victoria Plus" 2012
6. Ozhegov S.I. Explanatory Dictionary of the Russian language. М.: Onyx-LIT, Peace and Education, 2012
7. Frolova O.E. The word criminal in dictionaries and speech. // Russian speech. №6. 2015. S.40-45
8. The electronic directory. // <https://ru.wiktionary.org/wiki/преступник#.D0.97.D0.BD.D0.B0.D1.87.D0.B5.D0.BD.D0.B8.D0.B5> [Date visit: 12/03/16 g]
9. The electronic directory. // [Http://ozhegov.textologia.ru/definit/prestupnik/?q=742&n=197348](http://ozhegov.textologia.ru/definit/prestupnik/?q=742&n=197348) [Visit Date: 12/03/16 Mr.]
10. The electronic directory. // <http://termin.bposd.ru/publ/17-1-0-15011> [Visit Date: 12/03/16 Mr.]
11. The electronic directory. // [Http://psyera.ru/ponyatie-prestupnik\\_7608.htm](http://psyera.ru/ponyatie-prestupnik_7608.htm) [Visit Date: 12/03/16 Mr.]
12. The electronic directory. // [Http://ozhegov.textologia.ru/definit/prestupnik/?q=742&n=197348](http://ozhegov.textologia.ru/definit/prestupnik/?q=742&n=197348) [Visit Date: 12/03/16 Mr.]
13. The electronic directory. // [Http://evoc.ru/index.php?voc\\_id=7&letter=%CF&word\\_id=197966](http://evoc.ru/index.php?voc_id=7&letter=%CF&word_id=197966) [Visit Date: 12/03/16 Mr.]

# NEGOTIATION EFFECTIVENESS IN HIGH AND LOW CONTEXT CULTURES

**Vladlena Gostroushko**

2nd year student of the department of management  
Achinsk branch of the Krasnoyarsk State Agrarian University  
Russia, the city of Achinsk

**Tatyana A. Korneyeva**

research supervisor  
Cand.Phil.Sci., associate professor  
Achinsk branch of the Krasnoyarsk State Agrarian University  
Russia, the city of Achinsk

**Abstract:** The purpose of this article is to outline the way in which the context of the culture influences the negotiation process and may lead to an unsuccessful outcome of the encounter.

**Key words:** culture, high and low context, negotiations.

Negotiations effectiveness as well as leadership effectiveness differentiates successful organizations from others. Effective negotiation skills are essential if you want to achieve your goals, define your terms, or help others meet their needs. Your success depends very much on how competent you are in getting what you want or need without upsetting your relationships. As more and more negotiations between representatives of different cultures are conducted, a considerable body of literature has been dedicated to the exploration of the role of culture in the negotiation process.

Culture is difficult to describe as it is a rather vast and inclusive concept. As E.T. Hall wrote: "Culture is those deep, common unstated experiences which members of a given culture share, which they communicate without knowing, and which form the backdrop against which all other events are judged" [1]. Culture shapes societies, and that shaping comes from their similar life experiences and interpretations of what those experiences mean. It helps people set up priorities, establish rules for behavior and provides justification for that behavior [4].

Culture is simultaneously invisible, yet pervasive and has a profound effect on humans and their communication. People from different cultures use verbal and nonverbal symbols, which are influenced by their culture. Some people may adopt a more direct or simple method of communication, whereas others may adopt a method that is more indirect or complex.

Culture is the most important variable affecting international negotiations and the values and norms that are encompassed by culture can affect negotiations. Cultural values establish what members perceive as important, while cultural norms outline what is considered proper and improper behavior. Together, cultural values and norms influence how one perceives situations and how one reacts to the behavior of others. Today's entrepreneurs, regardless of the size of their operation, have to become aware of international issues. Edward T. Hall's theory of high- and low-context culture helps us better understand the powerful effect culture has on communication [1]. A key factor in his theory is context. This relates to the framework, background, and surrounding circumstances in which communication or an event takes place. The following summary highlights the problems which may arise when people from low-context cultures interact and negotiate with people from high-context cultures.

According to Edward Hall [1] "context carries varying proportions of the meaning." In other words, meaning that is not encoded into words by the message sender is supplied by context. In so-called "low-context" communication systems, people translate a large part of the meaning into explicit code [1]. As a result, "the spoken word carries most of the meaning"[3]. People explicitly say what they want to convey. Their goal is to get and give information when communicating with other people. However, with less regard to context, low-context systems tend to be more complex as the spoken word has to make up for what is missing in the context. As a result, low context communication styles show less intuitive understanding, which makes them slow and less efficient [1]. Cultures like the United States and Germany are considered low-context cultures, for instance.

High-context communication systems are the extreme opposite of low-context communication systems. The author Edward Hall [1] points out that in high-context communication a large part of the meaning lies in the physical context, which includes facial expressions, tone of voice and gestures. As a result, the message itself carries less information. People do not explicitly say what they want to convey. Instead, they beat around the bush until their interlocutor decodes the message correctly. The reason for this is that their primary goal is to preserve and strengthen relationships by saving face and ensuring harmony. Nevertheless, Edward Hall [1] characterises high-context communication styles as being faster and more efficient as they rely on intuitive understanding. However, they are slow to change and need time in order to create a common understanding between sender and receiver. China and Japan are model examples of high-context cultures.

Think of the context as the social environment or surroundings in which a business transaction takes place. Context qualities include such factors as: the physical location of a meeting; the way participants are dressed; the general mood of a meeting; the status of the individuals presenting information.

In a high-context culture, the social context or social environment is more important than the words being spoken. It may take time to build a relationship before your international business partner feels comfortable in talking about business dealings. If you have come to the meeting with an introduction from someone who knows you and the other business representative, this could take a few hours. Otherwise, it might take months or years before you are trusted enough to be able to close a deal. **High-context cultures** (including much of the Middle East, Asia, Africa, and South America) are relational, collectivist, intuitive, and contemplative. This means that people in these cultures emphasize interpersonal relationships. Developing trust is an important first step to any business transaction. According to Hall, these cultures are collectivist, preferring group harmony and consensus to individual achievement. And people in these cultures are less governed by reason than by intuition or feelings. Words are not so important as context, which might include the speaker's tone of voice, facial expression, gestures, posture, and even the person's family history and status. High-context communication tends to be more indirect and more formal. [5]

In a low-context culture, the words themselves are more important than the surrounding social context. Low-context cultures (including North America and much of Western Europe) are logical, linear, individualistic, and action-oriented. People from low-context cultures value logic, facts, and directness. Solving a problem means lining up the facts and evaluating one after another. Decisions are based on fact rather than intuition. And communicators are expected to be straightforward, concise, and efficient in telling what action is expected. To be absolutely clear, they strive to use precise words and intend them to be taken literally.

In the negotiation process, information is highly valued and communication style plays a major role in the outcome of intercultural communication. As we explained high context communication in which meaning is inferred and relies on preexisting knowledge can cause conflict when met with the needs of low-context communication that requires clear and precise detail. Important information may not be exchanged and an optimal solution may not be reached.

Therefore, it is helpful to know and understand the connection between the culture and the negotiation strategies of the other party. Developing what is called cultural intelligence helps people overcome the obstacles they face because of the diversity in cultures.

### **Bibliography:**

1. Hall, Edward T. *Beyond Culture*. New York: Doubleday. – 1976. URL: <http://bookre.org/reader?file=2239330&pg=6> (date of treatment: 03.02.2016)
2. Hooper, C. *Cross-Cultural Communication and Negotiation*. -2005. URL: [http://hooper.cc/pdfs/cross-culture\\_negotiation.pdf](http://hooper.cc/pdfs/cross-culture_negotiation.pdf) (date of treatment 16.02.2016)
3. Storti, C. *Figuring foreigners out: A practical guide*. Yarmouth: Intercultural Press, 1999. URL: <https://books.google.by> (date of treatment: 18.02.2016)
4. Varner, I., Beamer, L. *Intercultural Communication in the Global workplace*. Singapore: McGrawHill, 2011. – p.503.
5. Yang, G. Cross-cultural comparison of the processes and outcomes of buyer-seller negotiations through instant messaging: Hong Kong Chinese vs. Americans / *Innovative Marketing*, Volume 6, Issue 3, 2010 . URL: [http://www.businessperspectives.org/journals\\_free/im/2010/im\\_en\\_2010\\_3\\_Yang.pdf](http://www.businessperspectives.org/journals_free/im/2010/im_en_2010_3_Yang.pdf)

# OCHLOCRACY AS A DISTORTION OF DEMOCRACY

**Alexandr I. Guschin**

1rd year student of the Department of Jurisprudence  
Achinsk branch of the Krasnoyarsk State Agrarian University  
Russia, the city of Achinsk

**Albina A. Poliarush**

Research supervisor  
Cand.Ped.Sci, associate professor of the Department of  
Civil law and Philology  
Achinsk branch of the Krasnoyarsk State Agrarian University  
Russia, the city of Achinsk

**Abstract.** Above text is about attempts to analyze how to manage the crowds mob rule authority, as the antithesis of democracy. There is manifold signs of the modern mob rule in the text.

**Key words:** democracy, ochlocracy, oligarchy, suggestion, power, crowd, power, manipulation.

Relevance of a subject of performance is dictated by sharpness of world outlook and political problems, contradictions and difficulties of rooting of democracy in Russia. To reveal essence of the concept reflecting essence of a thing, phenomenon the appeal to opposite concept as that is demanded by dialectic approach is necessary. The next specific concept for concept "the democracy", relating to uniform, patrimonial, acts the concept "okhlokратиya".

Though, in fact, the okhlokратиya as degeneration of democracy was described the first by Platon, the term was entered later into use by Poliby in the "General history". He described how the initial aspiration to equality and freedom at democracy leads to the fact that the crowd gradually gets used to tips owing to what it chooses to itself in the demagogue's leaders poyazykasty, and itself keeps from management, being quite satisfied with "bread and shows" [1].

Initially the okhlokратиya is the power of crowd which most part is made by common people, and a connivance to her aspiration to equalization. The crowd demands from all "to be as all" on what specified Also-Gasset in the work "Revolt of Masses" [2].

However "the power of crowd" is and there is a majority rule, isn't it?

Truly — the democracy is very good suitable way of board what both Platon, and Aristotle pointed to — but only in case all citizens have psychology of the aristocrat. Otherwise the democracy inevitably degenerates in an okhlokратиya.

At the same time, if to consider established practices and features of modern manifestations of an okhlokратиya, then it is necessary to recognize that she in most cases acts in peculiar forms of implementation of the political power. Manifestation the okhlokraticheskikh of tendencies always meant the actual collapse of the power, critical condition of a political system, the existing political regime. Therefore we will stop on characteristic features of a modern okhlokратиya, her specific features.

The important indicator of an okhlokraticheskoy condition of political life can be considered disbelief of people in ability of the power to solve social and economic problems and on this background emergence of aspiration to cope with the arising difficulties independently or by means of spontaneously educated organizations. The desire of part of people to ask for the help and support criminal forces or to go to spontaneous protest actions, up to mob killings, to refuse participation in vote, observance of standard requirements in relationship of the person and the state is found. These actions are followed by evasion from performance of political and civil duties, ignoring of elementary forms of human community (for example, refusal of maintenance of a public order, of payment of taxes, participation in plunder of the remains of the state and personal property, etc.) . As G. Lebon (1841-1920) claims, as public or the politician various adventurous projects and affairs, a lack of imagination, political cretinism, thirst of the benefits and the authorities are characteristic of the identity of an okhlokrat [3]. To this classical definition quite there correspond many realities of Post-Soviet Russia.

One more group of okhlokrat is represented by political adventurers who yearn for power and use any opportunity to realize the desire to operate the country. This desire often uses a method (reception) to direct rage of crowd and to distract her from pressing social problems — search of the enemy on whom it is possible to dump all failures and all problems of everyday life of people. Executions of witches who were accused of all misfortunes were carried out to the Middle Ages. The punishments begun in 1487 after the edition of "A hammer of witches" have developed into large-scale hunting for "villains" which has captured one and all European countries and



proceeded till 1826 when in Spain have burned the last witch [4]. This method of search of enemies is widespread also in the modern world.

Ambitious claims have debalanced a political system, have deprived of an opportunity to resolve urgent questions of development of the country, retargeting all efforts of some conceiving figures to uzkogruppyovy interests and cares. As a result multi-party system hasn't strengthened, and has undermined unity of the country.

It allows to draw a conclusion that under certain conditions multi-party system rather the claim for her, can become the good soil for okhlokraticheskoy regeneration of a political system.

Despite a different appearance, okhlokratiya possess some common features. The main characteristic features of an okhlokratiya are the demagogy, adventurism, populism. Variability of a political policy, unpredictability and impulsiveness of political actions is inherent in her. Okhlokratiya as much as possible simplifies complex public problems.

Okhlokratiya often comes into the own in critical time, during the periods, critical for society. As crisis of society always has limits, the okhlokratiya is characterized both by not vitality, and fragility. In most cases instability and transient character of an okhlokratiya leads to deterioration in a public situation [4]. As history has shown, an exit from it very often comes to an end with the totalitarian, dictatorial or oligarchical forms of government. Classical historical examples of an okhlokratiya are the Time of Troubles in Russia at the beginning of the 17th century, the separate periods of civil wars, popular uprisings in the Ancient world and in the Middle Ages, and also the periods of change of the social and political relations in the conditions of the transformed societies. However pronounced forms of an okhlokratiya there was not so much. History knows more examples of the deformed, partial forms of an okhlokratiya which quite often get on with other forms of the political power, are shown on these or those sites of public life, during these or those periods of a crisis state of society, in certain regions or parts of the state.

This lack of the concept of development that was characteristic both of Gorbachev, and of Yeltsin, and to some extent concerns the present Russian power, especially so far as concerns prospect, about long-term anticipation. It is visually shown in desire to be pleasant not only the crowd, but also foreign force.

Speaking about democracy presently, often it is accepted to specify that it not "the real democracy", and at all even oligarchy, an okhlokratiya, etc. Very much reminds an old parable: "We are Roma good, we don't steal horses, horses are stolen by Roma bad, we don't know them ...".

But it is fine, let's look what behind it is covered.

Who is pleasant to crowd? We remember "Human, too human" great Friedrich Nietzsche: "It is easy to give the recipe of the fact that the crowd calls the great person. Under any conditions it is necessary to deliver her that to her it is very pleasant, or at first to hammer her into the head that this or that would be pleasant, and then to give her it. It is necessary to win it with the greatest tension, or to pretend that you wins. The crowd has to have impression that before it mighty and even invincible will power; or, at least, has to seem that such force exists. Everyone because anybody doesn't have it admires strong will ... And if it is found out that such strong will carries out something very pleasant to crowd instead of listening to desires of the greed, then even more admire it and congratulate themselves on it. For the rest such person has to have all qualities of crowd: then she that will be ashamed less before him, and he especially will be popular. So, let he will be a tyrant, the envious person, the exploiter, the intriguer, the flatterer, prolazy, spesivets — depending on the circumstances" [5].

The crowd doesn't distinguish "to be" and "seem", it perceives only the second, and in temporary aspect "right now". The crowd doesn't remember the past and doesn't look forward, all her existence is the spontaneous reaction on "now" strengthened by emotional infection of masses.

However, whether spontaneous? Actually, as still Xenophon has shown, the crowd can be manipulated. The crowd can think that it chooses something it — but really she only executes what is appointed to execution manipulators. Okhlokratiya of defacto is not the "power of common people", and the power of those who operate common people, opposing aspiration to equalization and degradation of outcasts to progress in all areas [6].

With development of mass media influence became much simpler. Mass character of information allows to manipulate crowd in the 21st century already not directly suggestion of slogans, and indirectly — through a suggestiya, i.e. the mental influence directed to perception by the subject of certain provisions, etc. is passive also without critical evaluation. Moreover, distribution of the necessary memes in the modern information world — process network and demanding the minimum expenses for support. In the 1970th Cohen B. has pointed that "the press can't force people to think definitely, but can specify to the readers what of to think" [7], and now ... At the same time manipulate crowd on Goebbels and Hitler's old precepts: the more lies — rather will believe, and it is necessary to address emotions, but not reason. The recipe simple is also known to any psychologist. That influence of mass media was successful, it is necessary:

- coincidence of a form inspired with expectations of crowd;
- the maintenance of inspired has to correlate with norms of group which is the suggestiya purpose;
- the source of information has to have authority at crowd (and it isn't obligatory in that area about which broadcasts);

· formally logical arguments supporting a message are important for intellectuals (at the same time they can be false, systemically contradictory reality, etc.);

· the message has to be short and many time repeat.

The modern okhlokратиya possesses such system lines as demagogy, adventurism and populism. To appeal to crowd, her story somewhere for the benefit of manipulators (and, most likely, to the detriment of the crowd) — here and all essence of policy. The crowd isn't simply glad to be deceived, it can't think at all, lives emotions. It has been also noticed that those who participated in elections feelings low direct, as a rule: we will choose the one who promised to win, revenge, punish ... That is, in other words, dreams at voting were devilish, demonic.

Only the uneducated world majority can sincerely consider that the democracy is the power of the people. Yes, the word "people" Ancient Greek, but it never designated the people.

If to sum up some results, then it is possible to tell that an okhlokратиya — it isn't simple and not only the power of crowd. This reflection of positions of the most marginal layers, on the one hand, and ambitious politicians, with another. This lack of the concept of development to some extent concerning the present Russian power, especially so far as concerns prospect about long-term anticipation.

### **References:**

1. Polybius. General history <http://ancientrome.ru/antlitr/t.htm?a=1445001000>
2. Ortega and Gasset <http://lib.ru/FILOSOF/ORTEGA/ortega15.txt>
3. Lebon G. Psychology of peoples and masses <https://bookmate.com/books/JuNVemg3>
4. Sulakshin S. S. Lectures on public policy and management <http://rossiyanavsegda.ru/read/1029/>
5. Nietzsche, F. human, all too Human <http://lib.ru/NICSHE/chelowecheskoe.txt>
6. Wrestlers managed A. the Power of the crowd
7. Jasinowski I. Hermeneutics of charity <http://www.dzyalosh.ru/01-comm/statii/germenevtika.htm>

# EXPLICIT AND IMPLICIT COMMUNICATION STYLES

**Emma Gordon**

student of the department of management  
Loxley College, Sheffield, UK

**Abstract:** The aim of this article is to consider how the context of the culture determines communication patterns which exist as some knowledge shared by the nation but often misunderstood by foreigners.

**Key words:** high and low context cultures, communication, code.

In a world that continually becomes more and more globalized people engaging in crosscultural interaction, either in personal or business relations, discover that culture has not become globalized too. There can be barriers which prevent people from different cultures to communicate in an efficient manner and misunderstandings and miscommunication can make reaching a mutual agreement impossible. People from different cultures have different understandings of the interaction process as well as having different communication styles.

Cultural anthropologist E. T. Hall theorized that people's cultural values and beliefs determine their communication style. Hall characterized these communication behaviours as high context and low context. In high-context cultures, most of the information is inferred from the context of a message; little is spelled out. Chinese, Japanese, Arabic, and Latin American cultures could be considered high context. In low-context cultures, context is less important; most information is explicitly spelled out. German, Scandinavian, and the dominant North American cultures could be considered low context [4].

Edward Hall's conceptualization of high-context cultures and low-context cultures correlates with Bernstein's notion of restricted and elaborated codes. Language distinction between elaborated and restricted codes provides a conceptual framework that allows us to better understand the differences between these two fundamentally different types of speech patterns. The essence of the distinction is in what the language is suited for. The restricted code works better than the elaborated code for situations in which there is a great deal of shared and taken-for-granted knowledge in the group of speakers. It is economical and rich, conveying a vast amount of meaning with a few words, each of which has a complex set of connotations and acts like an index, pointing the hearer to a lot more information which remains unsaid. Restricted codes use shortened words, phrases, and sentences and rely heavily on hidden, implicit, contextual cues such as nonverbal behavior, social context, and the nature of interpersonal relationships. Restricted codes are a form of shorthand communication that does not rely on verbal elaboration or explication. Elaborated codes, on the other hand, emphasize elaborate verbal amplification and place little importance on nonverbal or other contextual cues [1].

As would be predicted, low-context cultures, relying on elaborated verbal codes, demonstrate high value and positive attitudes toward words. The Western world (northern Europe and the United States, specifically) has had a long tradition of rhetoric, a tradition that places central importance on the delivery of verbal messages. According to William Gudykunst and Y. Y. Kim, "A primary function of speech in this tradition is to express one's ideas and thoughts as clearly, logically, and persuasively as possible, so the speaker can be fully recognized for his or her individuality in influencing others" [3]. In contrast, in such high-context cultures as Japan and China, verbal messages, although important, are only a part of the total communication context.

It is not that words are unimportant in Eastern cultures, but rather that the words are inseparably interrelated to social relationships, politics, and morality and aim to promote harmony and social integration. In such societies one is expected to be sensitive to subtle contextual cues and to not assume that critical information will always be verbalized. This cautious approach can be seen in the general suppression of negative verbal messages. As a result, politeness and the desire to avoid embarrassment often take precedence over the truth. This approach, at least in part, explains why Eastern cultures have so many nonverbal ways of saying "no" without directly or unambiguously uttering the word.

To illustrate, Christopher Engholm suggests a number of ways that Asians say no without coming right out and saying it [2]. In response to a Westerner's question "Has my proposal been accepted?" an Asian businessperson is likely to reply in a number of different ways:

The conditional 'yes': "If everything proceeds as planned, the proposal will be approved."

The question is criticized: "Your question is difficult to answer."

The question is refused: "We cannot answer this question at this time."

The 'yes, but. . ." reply: "Yes, approval looks likely, but . . ." The meaning of "but" could mean "it might not be approved."

The answer is delayed: "You will know shortly."

Implicit and explicit styles of communications often lead to misunderstandings and miscommunications. Many people from explicit cultures view a person who is being indirect as tricky, deceptive, and of questionable integrity. On the other hand, those from implicit cultures see the explicit communication styles to be rude, coarse, and insensitive.

Surprisingly, the British are the source of some confusion. Britain fits into the middle of high/low-context spectrum thanks to the British tendency towards understatement and euphemism. In contrast to Americans, Germans and Dutch, British people have a quite indirect communication style. They will not usually tell you just the way it is to get things in the open. You will have to read between the lines to understand what they really mean. Words are not enough, you have to know the background and context to understand the message and interpret tone, expression and non-verbal behaviour [5].

In high-context cultures, the preferred way of communicating is the indirect mode and the use of a direct form may be unsettling for one's own face. Face is a concept which is difficult to define precisely but it is a notion which is concerned with people's sense of worth, dignity and identity and is associated with issues such as respect, honor, status, reputation and competence. The British prefer avoiding the direct mode of communicating which may involve confrontations which can facilitate losing face. The decision to use the indirect form of communication is therefore a conscious attempt to avoid face-threatening acts but also a form of communication which will inevitably cause ambiguity. Here are some examples of what the British say and what they really mean.

What the British say	What the British mean	What foreigners understand
I hear what you say	I disagree and do not want to discuss it further	He accepts my point of view
That's not bad	That's good	That's poor
That is a very brave proposal	You are insane	He thinks I have courage
Quite good	A bit disappointing	Quite good
Oh, incidentally/by the way	The primary purpose of our discussion is	That is not very important

Thus, cultural assumptions and expectations determine both the content and the form of every interaction, either in personal or business relations. Good knowledge of the context, in which the culture exists, is of great importance to give individuals the opportunity to communicate effectively and avoid embarrassing misunderstanding.

### **Bibliography:**

1. Bernstein, B. Elaborated and restricted codes: Their social origins and some consequences. / *American Anthropologist* 66(6), 1964. - p.55-69.
2. Engholm, C, Rowland, D. *International excellence: Seven breakthrough strategies for personal and professional success.* - New York: Kodansha International, 1996.
3. Gudykunst, W., Kim, Y.Y. *Communicating with strangers: An approach to intercultural communication.* - Reading, MA: Addison Wesley Publishing Co., 1984. - 277 pp.
4. Hall, E. T. *The Hidden Dimension [Text]* / E. T. Hall. – New York: Anchor Books, 1990. – 217 p.
5. Markussen, K. *British communication behaviour.* – 2011. URL: [http://pure.au.dk/portal-asb-student/files/36316403/BA\\_ogave.pdf](http://pure.au.dk/portal-asb-student/files/36316403/BA_ogave.pdf) (date of treatment: 01.03.2016)

# MODERN IDIOMS IN SPEECH PRACTICE OF A LAWYER

**Irina I. Ignatenko**

1<sup>st</sup> year student of the Department of Theory and history of state and law  
Achinsk branch of Krasnoyarsk state agrarian University  
Russia, Achinsk

**Larisa N. Paderina**

research supervisor

Cand.Philol.Sci., associate professor of the Department of Civil law and Philology  
Achinsk branch of Krasnoyarsk state agrarian University  
Russia, Achinsk

**Abstract:** the article deals with the question of the use of phraseological units in speech of modern lawyers with the aim of identifying the typology of fixed expressions and their role in the texts.

**Keywords:** professional speech, speech practice lawyers, expressiveness of speech, idioms, conversation, neorationalism.

High level of proficiency in word, culture rhetoric is an integral part of professional training the modern lawyer: "the Ability to speak in public, the language has long been considered a necessary professional quality of the lawyer. A. F. Koni, F. N. Plevako, V. I. Zhukovsky, N. And. Kolev, P. A. Aleksandrov, C. F. Chartulary, K. K. Arsenyev, N. P. Karabchevsky, WA. Spasovic, S. A. Andreevsky, A. I. Urusov, M. G. Kazarinov, A. X lokhvitskiy left us beautiful examples of oratorical skill" [6]. In addition to compliance with the rules of the language, from legal speech required expressiveness, accuracy, clarity, brevity, etc. Among expressive means of the Russian language can be noted idioms, i.e. stable in its structure, an integral value of the phrase, reproduced in speech as ready-made units [5]. According to Z. V. Bashevoy, essential idioms in speech the lawyer for several reasons: 1) they allow you to "revive" it, to make it more expressive, illustrative, 2) to attract and maintain the attention of listeners / readers, 3) to influence the public [1].

This article focuses on the use of phraseological turns of speech contemporary lawyers. We will try to clarify what types of phraseological units in speech active practice of lawyers, the role they perform in specialized texts. To this end, we have selected articles from the popular scientific-theoretical, information and practical editions: Russian law journal, the Journal of Russian law [4, 9]. We feel it is to stick at random to get an unbiased picture concerning the issue.

In the process, we have determined that in the texts of modern specialists in the field of jurisprudence are used in most of the traditional stable expression of foreign and Russian origin, as well as the idioms of colloquial vernacular character and neorationalism. For example, among traditional foreign-language expressions (9 examples) and Russian (11 examples) of origin are the following: dotting the "i", i.e. "to complete something, to clarify some complex issues" [13]; *mutatis mutandis* (lat. idiom meaning "with the appropriate, necessary changes, by making the necessary changes") [8]; *bona fides* (*bona fides*) is a Latin legal term meaning "honest money", "good rooms", "good faith", which expresses the moral integrity, the belief in the truthfulness or falsity of judgments or opinions of the entity, or concerning rectitude or depravity of a line of conduct. This concept is important in law, especially when using the law of equity [2]; *argumentum e contrario* - legal. proof by contradiction [11]; *opinio juris* (literally an opinion of law) is an expression that is used in international law to establish the recognition of the subjects of law-making rules of conduct as the rules of law or belief of subjects of international law in legal usefulness (validity) law [2]; *post facto* – "after the fact", i.e. after the event occurred, in hindsight, late; after the event [7]; *jus cogens* - a peremptory norm of international law, i.e., norm from which States cannot derogate even by mutual agreement; the contract between the States contrary to such regulations, is legally null and void; the rule of law [16]; *de-factor-the* - book. the actual situation in some area, on a particular issue, or not settled law, or which differs from the order, stipulated by a normative act [16]; the arbitration court is a permanent court or the court formed by the parties for consideration of a particular civil dispute, which such disputes shall be referred for consideration in accordance with the reached about arbitration agreements and taking decisions without the possibility of revision in the higher courts in connection with the groundlessness and injustice, but with the possibility of cancellation on limited grounds specified in the

legislation [16]; the idiom "to play/to play the role" is used in the second the traditional meaning of "to be, to be somebody or something to act as someone or something". Often with a noun with the meaning of abstract concepts, namely "category", "physics" [12]; standing in the same place - "to be in a state of stagnation, not to develop" [13]; to the basis - "on postulate, the starting point of something" [13]; to stand in their place, i.e. "to take the usual position" [13]; in the end, i.e. "in General, summing up the results" [13]; to be (book. to be, to happen, to occur) [12]; to put a sign of equality, i.e. "to assume the same equivalent" [14]; the pangs of conscience (the conscience, as a means of moral self-control that can adjust the behavior) [10]; to be valid ("not to lose its necessary not to change") [13]; in other words, i.e., in other words. [13]; to enter into force (book. to obtain the status of the rule of law, to become legal, recognized; enter into effect (Treaty, law, etc.) [14].

In the group of colloquial vernacular idioms we have identified 2 expressions: overnight — overnight (simple.) — at once, suddenly [14]; through the head - Accel. passing the one through whom, with whom to act [14].

It is noteworthy that the speech of lawyers practice is updated and new formations, i.e. neorationalism, among which we can name such as risk group [3]; rubber - something that can grow beyond a certain limit [13].

Thus, the analysis of 17 articles on modern lawyers has allowed us to isolate 24 of the idioms, which reflects the following trends: 1) the preservation of traditions in the books of phraseological units of Russian and foreign origin (20 examples), 2) a reflection of the conversational phenomena that brings the author to the reader, to describe reality (4 items). All selected stable expressions support the view of researchers: idioms in the speaking practice of lawyers are not only visible, but also attractive to the reader.

### **Bibliography:**

1. Baisheva Z. V. a Word in the speech of a lawyer. // Vestnik of OSU. No. 9. 2004. S. 10-16.
2. Bona\_fides // [https://ru.wikipedia.org/wiki/Bona\\_fides](https://ru.wikipedia.org/wiki/Bona_fides)
3. Risk group – the phrase-neologism // <http://philology.bsu.by>
4. Journal of Russian law. No. 4. 2015
5. Affecting the quality of speech // <http://www.libma.ru>
6. Culture of speech of a lawyer. // <http://batyka-jurist.info/культура-речи-юриста/>
7. Latin-Russian and Russian-Latin dictionary of winged words and expressions. — М.: Russian Language. N. T. Babichev, Y. M. Borovsky. 1982. // [http://dic.academic.ru/dic.nsf/latin\\_proverbs/1953/Post](http://dic.academic.ru/dic.nsf/latin_proverbs/1953/Post)
8. Mutatis mutandis // <http://www.classes.ru/dictionary-english-russian-Apresyan-term-66503.htm>
9. Russian law journal. No. 5. 2015
10. Pangs (pangs) of conscience // <http://www.kakprosto.ru/kak-889558-kakie-frazeologizmy-so-slovom-sovest#ixzz42BGdr124>
11. Universal German-Russian dictionary. Academician.ru. 2011. // [http://universal\\_de\\_ru.academic.ru/614654/argumentum\\_e\\_contrario](http://universal_de_ru.academic.ru/614654/argumentum_e_contrario)
12. Educational phraseological dictionary. — М.: AST. E. A. Bystrova, A. P. Okunev, N. M. Shan. 1997 // [http://phraseologiya.academic.ru/397/играть\\_роль](http://phraseologiya.academic.ru/397/играть_роль)
13. Phraseological dictionary of the Russian language. // <http://frazbook.ru>
14. Phraseological dictionary of Russian literary language. — М.: Astrel, AST. A. I. Fedorov. 2008. // [http://phraseology.academic.ru/12227/Ставить\\_знак\\_равенства](http://phraseology.academic.ru/12227/Ставить_знак_равенства) (accessed 07.03.2016)
15. Economics and law: dictionary-guide. Moscow: University and school. L. P. Kurakov, V. L. Kurakov, A. L. Kurakov. 2004. // [http://dic.academic.ru/dic.nsf/dic\\_economic\\_law/9791/ОПИНИО](http://dic.academic.ru/dic.nsf/dic_economic_law/9791/ОПИНИО)
16. Jus KOGENS // <http://www.slovarus.ru/?di=257546>

## SOPHISTRY IN SPEECH OF VLADIMIR PUTIN

**Daniil M. Kokorin**

student 3rd year student of the Department of Jurisprudence  
Achinsk branch of the Krasnoyarsk State Agrarian University  
Russia, the city of Achinsk

**Albina A. Poliarush**

research supervisor  
Cand.Ped.Sci., associate professor of the Department of  
Civil law and Philology  
Achinsk branch of the Krasnoyarsk State Agrarian University  
Russia, the city of Achinsk

**Abstract.** The sophistry is widely used by politicians in public speeches. Russia's President Vladimir Putin widely use this technique, causing mixed reactions from the citizens. The article presents an attempt of analysis of the speech characteristics of a political leader associated with the use of sophisms.

**Key words:** sophistry, the media, the "dictatorship of the law", the "managed democracy", "sustainable development", the semantic permutations, democracy, power.

One of the most compelling techniques of oratory is sophistry. The term "sophistry" comes from the Greek sophisma «skill, ability, cunning invention, trick wisdom" and is a kind of logical reasoning for the structure, proving absurd or paradoxical statement, which is contrary to the generally accepted objective truth. One of the most compelling techniques of oratory is sophistry.

The creators of sophistry is a group of Greek philosophers V-IV centuries. BC, the so-called Sophists. Sophists positioned themselves as paid teachers of wisdom (Sophia -. Greek "wisdom"), the activity of which was to train everyone to philosophy, logic, and especially rhetoric (the art and science of eloquence). One of the main objectives of the sophists was to instill human skills mastery of conducting disputes: teach prove (confirm or deny) any thought, not caring about the objective truth of the statements out of the intellectual contest winner.

The best-known representatives of the direction of sophistry in ancient Greece were Abdersky Protagoras, Gorgias of Leontini, Hippias of Elis, KeoskyProdicus, Antiphon, AthenianCritias.

In the course of their activities they have devised various methods of conducting the dispute: logical, rhetorical and psychological. The concept refers to the logical sophism techniques deliberately dishonest, but the successful conduct of the debate. However, the sophists were well aware that the only use sophistry in dispute is not enough for a victorious outcome, because even in perfect command of the art of sophistry, the caller is not able to resist the objective truth, and therefore risks losing the debate. To solve this problem, the sophists began to promote his philosophical idea that there is no objective truth does not exist, how many people, so many truths. Sophists argued that everything in the world is subjective and relative. Sophistry implied recognition of the idea of justice, which helped followers sophistic art to achieve victory in any discussion: wins not the one who is on the side of truth, and the one who owns the best oratorical methods of controversy. One of the founders of sophistry Protagoras argued that sophist task - to imagine the worst-case argument as the best through the use of clever tricks in a speech in the argument, do not care about the truth, and the success of the dispute or the practical benefit. Reinforce this idea helped Protagoras formulated them as "the criteria", which consists in the fact that a person's opinion is a measure of truth [1].

Sophistry captivate the interlocutor of his apparent conviction, which is achieved by the external evidence of thought appears to be correct, but at the slightest logical analysis can clearly identify camouflaged in sophism false elements and errors.

All political leaders use sophistry reception for the credibility of his speech. Let us try to conduct a brief analysis of the speech of our political leaders - Russian President Vladimir Putin.

It has long been observed that Putin acts in the media according to the laws of his main occupation, that is, on the principle of mimicry with the surrounding information environment.

Putin's image formed in the eyes of the audience alike.

Putin's rhetorical style - a style of everyday speech. He says dryly and concisely ("hard"), as the personification of administrative documents. To revive the speech, closer to the audience and the emotional effects he puts vulgar expressions and slang ("wet", "hamster" and so on.). Since emotions in Putin's speech

falls, as a rule, to such phrases, they remembered the audience and quoted repeatedly. So vivid phrases appear in Putin's speech at a particularly important topics: the media pick them as slogans and replicate.

In the most general terms, Putin's speech is as follows: dry, tightly - splash of emotions (vulgar word), dry, tightly - splash of emotions (vulgar word).

As a result, the audience the illusion of peace and stability, which allegedly comes from Putin. Putin looks in the eyes of the audience as the "guarantor of stability".

"We need to broaden the base of democracy in the country, so that people directly felt their relationship with the authorities and in the field, and in the regions and at the level of the Federation, to the credibility of the government grew and the political system was self-sufficient and resistant to external shocks and from any there are crooks who are trying from outside to get us and influence our political processes. It should be completely cut off. " [2].

Here the argument is constructed as a sophism (substitution of concepts). The very concept of democracy in the context of the distorted (democracy, it turns out, we need to strengthen the power and protection from the enemy), and the common place there.

These and similar ploys occur constantly in Putin's speech. So, talking to the Russian audience, he regularly argues from the history of the concept. This question is acute and complex, usually answers the question Putin, but it is a heavy historical heritage, and we are working and will continue to work. In detail, he says banality, only to see things. The effect arises from the rhetoric, the use of common spaces. The content of the speech of Putin - the content of the common spaces.

"The stability, says Putin, who is not standing still, not marking time, stability - a stable development, that's what my understanding of stability" [3].

Blank controversial term "sustainable development" is invented for an audience that wants stability, and for the one that requires the development. All these methods create the illusion of stable mass perception. Putin's image is perceived as a significant political figure, a guarantor of stability and democracy, which delves into all the problems of society in order to build a just power in the interests of everyone.

Today, Putin is juggling with the words "people", "people" in the last "conversation" they sounded 200 times (before so was not). It seems that Putin is very interested in social policy. However, if we compare this with an overabundance of the conceptual scheme, it is clear that Putin is the only word, populism, provoked dissatisfaction of society.

As before, the main "fundamental things" for Putin - is a threat to the stability, integration of the CIS (the Eurasian Union) and competitiveness in the global economy. These support the concept repeatedly voiced, are examples or descriptively. The responsibility for the failure to resolve social problems, Putin passed on to local government, accusing it of corruption. Just as before, corruption - a lot of local officials and the federal government represents the "state" - an abstract category of power and authority.

On the other hand, many seemingly important for the stated goals of Putin's speech falls terms. It is also characteristic of the old speeches, and new. So, if the first public appearances in the phrase "civil society" sounded quite often, but now it is all gone from the speech of the President of the apparatus. Similarly disappeared "human rights" and "ownership" and "market". But a lot has been said about the law enforcement and the "law" in the context of protest and rallies. In the new situation, the election for Putin's fundamental concepts address the threats get a supplement that looks like this:

Double characters are in propaganda or simply as characters (eg, the military banner with double symbols) as a slogan with a double meaning ("dictatorship of law", "managed democracy", "sustainable development"), as well as symbolic actions designed to adjust to the obedience or tangle. For example, webcams at polling stations, proposed by Putin and useless in fact, play the role of information openness of the election symbol, which in reality is not.

Under the hood the double character of propaganda step-by-step control characters were introduced, and the key concepts, characteristic of the Soviet mass consciousness: paternalism and authoritarianism, hierarchy, the empire (USSR), military symbols, the Kremlin and others. A special role was played orthodoxy, which became one of the symbols of propaganda. On the other hand, this system has a negative concepts and symbols, some of which also come from the Soviet ideology.

It is easy to see how a system of propaganda symbol extinguishes criticism. Criticism is conducted within the "negative" symbols (eg, speech defenders reasoning dissent positions, arguments about freedom of speech, of publication in the Western press). Quenching may vote by deliberate propaganda of the establishment in the negative sense communication, for example by linking the activities of MS Gorbachev and the collapse of the USSR and the West. As a result, despite the fact that the relative freedom of speech is stored in the general information flow criticism does not reach a wide audience, as in the semantic area falls outside of positive characters.



A similar reception - semantic permutations. They are built on the principle of feedback, the movement of propaganda rhetoric in semantic fields that appear in the field of criticism. For example, in recent years the Internet has become particularly active in making fun of Putin. He immediately came to KVN and laughed too. Likewise, it redirects the anger from the federal to the local authorities, emphasizing its responsibility for all problems - from utilities to healthcare. Or, for example, distances itself from former allies and tries to identify itself in the context of opposition and protests. "If brains running out, so they are. For good. So, they are high quality, otherwise they are no one would have been needed, and did not flow away" [3].

"If a person is happy with everything, it is a complete idiot. A healthy person in normal memory can not always cater for all" [2].

In addition, the extensive use of propaganda hints and allusions. For instance, became a catch phrase VV Putin, speaking at the Valdai International Discussion Club in Sochi, on the T<sup>th</sup> that it has taught Leningrad Street beat first, if a fight is inevitable. This phrase has been estimated by Russians is not unique. For example, Maria Makarevich: "When the president of the vast country, where the average level of education of the population does not exceed the school, from the rostrum authoritatively declares that always hit the right first, then the man who grew up on the streets of laws, will hear only that now you can not be shy. Once the authority said.

When a TV screen goes aggression and swearing, the average person from the Russian hinterland, ended only 10 classes and, in principle, communicating as well as "experts" on a talk show, will understand that it is now so communicate everything, so in the store or on street, finally, may be himself, without the antics. Loud and three-story " [4].

And political analysts and linguists are asking themselves: Is bound together the popularity of Putin and his rudeness? Does his rudeness, thus the president shows his closeness to the people?

Among its famous phrases are not only premiere "soak in the toilet" and "torment dust to swallow." If the 99th year, when Putin appeared only in the political arena, its ratings were 2-3 percent, after the phrase "soak in the toilet" sociologists recorded the explosion of popularity of the president.

In Russia, it has entered the book "Putinka" where circulation of 40 thousand copies of the collected sayings of the head of state. Here are some of them:

"In response to the suggestion that the Russian military is now taken part in operations in Iraq, and I want to say:" Got fools "(at a press conference after talks with Berlusconi in Rome 11/5/2003.).

"If you asked me whether to do it according to Chubais, I tell you I have to say, there is no need to do for the mind." [4]. "On whose rights are you talking about? Names? Turnout? Names?" (Answer to the question of human rights in Chechnya);

"I will not say that there are two irreconcilable enemies, on the one hand - the state, and on the other - Oligarchs I think rather that the state holds in baton hands, which has only once, but in the head we it only picked up.. and that was enough to attract attention "(from the interview to the newspaper" Le Figaro ", October 2002);

"My name and image in modern conditions are untwisted brand, which is used by all and sundry ..." [5]. "That incest between Russian and Ukrainians, which took place over the centuries, leaves us no choice."

"This man should always try, and the Real Girl - resist That means -. Power tends to reduce the amount of criticism, and the media has always attracted the attention to errors of power in this -. The foundation of society, and Russia in this respect differs little from other countries "(on the issue of freedom of expression [6].

### **Bibliography:**

- 1 [http://legalru.ru/news\\_details.php?id=2529](http://legalru.ru/news_details.php?id=2529)
2. <https://www.youtube.com/watch?v=mTDGhhcBKdI>
3. [http://4brain.ru/oratorskoe-iskusstvo/\\_sofizmy.php](http://4brain.ru/oratorskoe-iskusstvo/_sofizmy.php)
4. <http://rossijane.mirtesen.ru/>
5. <http://irinazarifian.livejournal.com/816.html>
6. <http://www.newsru.com/background/21apr2005/poutine.html>

# EXCHANGE STUDENTS AND REVERSE CULTURE SHOCK

**Polina Kochetova**

2nd year student of the department of economics  
Achinsk branch of the Krasnoyarsk State Agrarian University  
Russia, the city of Achinsk

**Tatyana A. Korneyeva**

research supervisor  
Cand.Phil.Sci., associate professor  
Achinsk branch of the Krasnoyarsk State Agrarian University  
Russia, the city of Achinsk

**Abstract:** The article considers a phenomenon of reverse culture shock faced by exchange students after coming back home.

**Keywords:** exchange students, reverse culture shock.

Student exchange programmes are a great way for students worldwide to learn about different cultures and experience life in a different country. However, studying abroad for a few months may mean a dive into the unknown: you meet new people, learn a new language, encounter a new academic system and deal with cultural differences. This can certainly be fun and is a valuable part of your study abroad experience, yet dealing with so much change inevitably results into culture shock, which is a normal response among exchange students.

**Culture shock**, a term first popularized by anthropologist Kalvero Oberg, refers to the psychological disorientation experienced by people who suddenly find themselves living and working in radically different cultural environments. Culture shock is precipitated by the anxiety that results from losing all our familiar signs and symbols of social intercourse. [1] Exchange students coming to a host country are bound to experience different degrees of culture shock but they are just as likely to experience reverse culture shock, or re-entry, when they return to their home countries.

**Reverse culture shock** is an emotional and psychological stage of adaptation that occurs when one is trying to readjust to his/her own culture after spending an extended period of time in a different culture. To some degree it is similar to the adjustments the international student initially experiences when living abroad and away from family and friends. Often times, the effects are even stronger than culture shock because reverse culture shock is unexpected. "Culture shock is the expected confrontation with the unfamiliar; re-entry shock is the unexpected confrontation with the familiar." [2]

Students, who visit foreign countries for educational purposes, often experience this reverse culture shock as soon as they reach their homeland. Understanding the mindset of the members of their own family and even close friends can seem like a challenge. This is the moment when 'studied-abroad' students may identify a 'new person' inside themselves. This can result in unexpected difficulty in readjusting to the culture and values of the home country, now that the previously familiar has become unfamiliar.

The degree of reverse culture shock may be directly proportional to the length of time spent overseas, i.e. the longer the time spent abroad, the greater the shock factor upon the eventual return home. Another factor that may influence the magnitude of reverse culture shock is the extent of the difference in cultures between the home country and the foreign country. The bigger the cultural difference, the greater the reverse culture shock likely upon return.

Many students who studied abroad went through many changes, re-examining their priorities, their values, and what they think of themselves and the homeland. We have studied different forums and blogs where exchange students share their re-entry experience.

Pierre-Alexandre, "My return to Quebec was more difficult than I expected. It was hard to get back to normal life and share my stories with my friends. They were simply uninterested. ... Even my family didn't understand. I remember talking about Halong Bay in Vietnam over dinner with my grandparents, aunts and uncles .... My parents and siblings later told me to talk about something else when we are with "the family" and hinted that "those stories might come across as arrogant to others." [3]

Laura, "I just felt like I wanted to go back to Singapore. I felt in the wrong place in Montreal. I really reinvented myself abroad and the way people see me. [In Montreal], people had a long-standing idea

of how I was and didn't seem to quite accept and understand I had changed. It was like a slap in the face.” [3]

Yenifer Sanchez, “Everything I do reminds me of Spain and how I would do things there. Sometimes I even catch myself doing things I would do there. My family is the first one to point out things I do that aren't “normal” to what we usually do here instead. .... I miss exploring. I miss learning about the language. I miss learning about the culture. I miss my Spanish family. I miss my roommate. I miss the friends I made. I miss the food. I miss Spain!!” [4]

Jamila S, “So I'm a week into being home. And it's pretty jarring. Someone mentioned that culture shock returning home is common, and I couldn't imagine how that could be possible. Until I got here. I'm still fairly unsettled. My sleep schedule hasn't returned to normal, my body doesn't recognize American food anymore, and I don't really like that American lifestyle I longed for while abroad. ... And I find everyone around me to be very cold and fast paced compared to the Spanish. I'm re-assimilating and it's pretty hard.” [4]

Thus, we come to the conclusion that the inconsistency between expectations and reality, plus the lack of interest on the part of family and friends may result in frustration, confusion, restlessness, boredom, uncertainty, homesickness for college and friends made abroad, and mutual misunderstandings between study abroad students and their friends and family.

The difficulty of readjustment will vary for different individuals, but in general, the better a student has integrated in the host country's culture and lifestyle, the harder it is to readjust to everything after re-entry. Symptoms can range from feeling like no one understands you or how you have changed to feeling panicked that you will lose part of your identity.

If reverse culture shock is severe, it is important that students are able to seek counseling to help them through this. Holding a mandatory session to prepare students to go abroad has become a common practice. However, few universities offer any resources to help returning students overcome the difficulties of re-entry. As the problem still exists, a number of universities are considering offering resources specifically to returning exchange students. These include psychologists available for students when they return as well as discussion forums with fellow returning exchange students. Dorothea Bye, a psychology department lecturer, says that exchange students need to “talk to people who have gone through the same things as they did” [3] and the best way to ease back in to normal life is to “share experiences in some sort of forum.” [3] Human contact with people who went through the same experience is needed because students can find support through their peers.

Experiencing reverse culture shock is common for students who have just returned to their homeland after years of education in a foreign country. However, one can easily overcome it, if dealt with positivity. Ilham, “I know coming home is an adjustment and I am trying to give it time. I still have mixed emotions of confusion, boredom, feeling disconnected to some people ... But I am trying to make my readjustments better. What I do now is stay in touch with my fellow study abroad friends and mentor families to share my reentry experiences. I also meet up with friends who are interested in hearing about my journey in Madison.” [5]

Being at a foreign university with a different culture allows a student to experience all sorts of emotions, but coming back home is as much of an experience and adaptation as going abroad. Difficult or not, it allows for one to learn about himself or herself, both out in the world and back at home.

#### **Bibliography:**

1. Oberg, K. Cultural Shock: Adjustment to New Cultural Environments / Practical Anthropology. - 1960. - Vol. 7, pp. 177-182.
2. R. Michael Page. Maximizing Study Abroad Through Language and Culture Strategies: Research on Students, Study Abroad Program Professionals, and Language Instructors, 2005. URL: <https://www.researchgate.net/publication> (date of treatment: 01.03.2016)
3. <http://www.universityaffairs.ca/> (date of treatment: 06.03.2016)
4. <http://info.umkc.edu/international/tag/reverse-culture-shock/> (date of treatment: 06.03.2016)
5. <http://blogs.voanews.com/student-union/2013/06/13/reverse-culture-shock-is-a-lonely-experience/> (date of treatment: 05.03.2016)
6. <http://exchangestudentworld.com/> (date of treatment: 06.03.2016)

# FEASIBILITY OF COMPETENCY APPROACH TO THE FORMATION OF PROFESSIONAL QUALITIES OF A UNIVERSITY GRADUATE

**Sergey A. Kraynov**

3rd year student of the Department of Jurisprudence  
Achinsk branch of the Krasnoyarsk State Agrarian University  
Russia, the city of Achinsk

**Albina A. Poliarush**

Research supervisor  
Cand.Ped.Sci, associate professor of the Department of  
Civil law and Philology  
Achinsk branch of the Krasnoyarsk State Agrarian University  
Russia, the city of Achinsk

**Annotation.** The article reflects the author's attempt to come to a critical assessment of the competency approach prescribed by federal government standards. The implementation of the competence approach is fraught with the formation of a fragmented personality, unable to see a system of interrelated processes and solve problems in a dynamically developing reality.

**Keywords:** federal state educational standards, professional skills , thinking, integrated personality , fragmented identity , culture of thinking , knowledge, the dialectical method of teaching.

The federal state educational standards of the third generation of undergraduate and graduate "enriched" Competence approach to the educational process.

The focus of education must be to raise the question of human nature, his deep, universal properties. The question should be whether the person is in the center of the picture of the world and his place on the periphery? Or, in other words, is thinking universal and necessary result of the evolution of life or is it the product of fluctuations, random events on the periphery of the world, is not universal, and some private laws? If the former is true, the thinking appears attribute of substance, matter, necessarily coming to self-knowledge in man. If we stick to the second, then we lose the object itself - thinking.

The antipode of the concept of "whole person" is the concept of "fragmented identity," ie, personality, the elements of which are in conflict with each other and do not constitute a coherent picture of the world. A set of competencies, if it is implemented in teaching practice, just involves the formation of a fragmented personality. The torn world can not fail to burst! Unfortunately, the stereotype of the purpose of vocational education to build skills, consisting in mastering the purely practical action, is the breeding ground of socially dangerous and harmful effects. Skill played a positive role during manual and machine production. Changed historical conditions (the science becomes the main productive force), and the skill applied in their dialectical opposite - the engine of progress, he turned in his brake. The main production of human values is its standard skills makes minimal adaptation or even without it to use it on a variety of industries (which, again, have been standardized). Professional skills were as the same as the sizes of products - and contributed to the development of standardized, homogenized culture. In the last century - with the exception of his last decade - the situation was basically clear. The dominant technological order was industry, which is based, in spite of all modifications, was assembly-line production, requiring the maximum standardization of all factors of production, including labor.

Now the most popular are (although generally not yet) non-standard mechanical work skills and creative abilities. And the main condition for success is not common features that ensure the implementation of the standard of work, but it is different.

Postindustrial technology is spreading rapidly in the era of globalization, the need for expanded quality differences and made a feature not only important, but also in public by having a massive demand competitive advantage [6].

If you do not understand if seriously implemented competence-based approach in the educational process, the graduates of the various universities will remain employees of factories that day will perform monotonous work or become an attendant, who is doomed to degradation of the computer, with the bust of papers, or will be day and night to place products in supermarkets, or a teacher who is required to

monotonically move daily from class to class - this is not a quiet life, this is the real death physically alive people.

Development of professional idiocy (in Marx - professional cretinism [5]) - one of the cornerstones of modern educational systems of Western countries, where students passed the skills necessary for a particular profession. The breadth of outlook, the development of logical thinking, versatile fundamental knowledge considered to be superfluous and even socially harmful. The result is a perfect cog in the system, whose worldview can easily form a top-down stereotypes, replacing the missing knowledge - advertising, propaganda, mass culture.

It is obvious that professional success can not be achieved by mastering skills at the level of instinct. A dynamic world requires quick optimal decisions rejecting skills. The culture of thinking is that the skills and plasticity of thought must be seen as a dialectical unity of opposites, grew into a contradiction. Plasticity of thinking to resolve the contradiction of stereotypical thinking and skills based on it, brings man's consciousness to a new level.

Since we are forced to turn to the dialectic, it will be a dialectic of Hegel. The great philosopher considers man as a complex, multi-dimensional being, determination of activity and the activity itself is not deployed in the same plane, and on many levels. Man is global; it "contains in itself everything, but he does not fit in anything", as the famous aphorism. Man appears as a complex conglomerate of various essences and natures. In this connection holds the view that Hegel largely reinterpreted the concept of the human individual by itself, complicating its quality in comparison with the previous stages of the German classical philosophy, however, as compared with the preceding philosophy in general. Thus, Hegel makes a breakthrough in the 18th century in philosophy! Then we have to bitterly admit that our modern education with its competence approach degrades.

Undoubtedly, education is designed primarily to shape the knowledge of students. Knowledge - is the assimilation of information. To acquire information means it is free to operate like a thing belonging to you. The main condition of the assimilation of information - its interpretation.

Our school is very far from the real process of learning information. In the words of Hegel in the 18th century, "... and mastering the thing might play with words. But the blame is not the word, and the total deficiencies indefinite, meaningless thinking. How true is the object of thought, so likewise the word when it is used the true thinking. To the extent that the word is filled with intellectuals, she receives the nature of the object. Go to thinking there is ... the identity of mind and way of existence "[1]. That education sector urgently requires an immediate change in thinking way radical change in the cognitive tools of the subject, without which it will not be effective practical action itself, which cares so professional education.

Dialectics - the science of the process of reflection of nature and history in human thought, the science of the laws of the transformation of reality in the idea (ie knowledge of the laws of the highest form of the laws of reflection and thought - in reality, ie, the laws of the practical implementation of concepts , theoretical concepts - in the natural, physical material, in practice this is what should be the main concern of the educational process.

The global crisis of education is associated with dramatic changes in the shape and pace of life, with reduced periods of sustainable production, the rapid change of technology previously unseen pace of information growth, complexity of forms and working equipment. These processes, disparate frames with modern educational cycles, demonstrated the fundamental unsoundness of attempts of education to keep up with them on the hopeless backwardness of life, drove him to a standstill. This gap is now grasped as the principal limitations of the old model of education.

If we are looking for universal knowledge, "for all occasions", the best option - the mastery of knowledge about the ways of acquiring knowledge, it is necessary to carry on the process of cognition in general... Having mastered the instrument of cognition, a universal approach to the development of knowledge, people will never be in a situation of "no catch-up" scientific and technological, social, cultural progress. Moreover a person who owns knowledge of the laws of the world, is able to predict these events.

Reason posited as inherent to the subject a universal means of appropriate organization, efficient and safe operation.

Reason, on the basis of which is based practice-oriented training, catches only external signs of objects without seeing their nature, essence, slipping into dogmatism, to fixed, "absolutely - a true" understanding of the subject, and an equally stable and unquestioned forms of administration consciousness learning [2]. And this fact is fixed vicious "Law on Education in the Russian Federation."

The world is dialectical, therefore, a way of knowing must be the same. In other words, in the learning process it is only necessary to bring the approach, a common approach to the knowledge of a common and diverse in the world. This is the culture of thinking, ways of human activity, rather than the animal - instinctive. And such an approach, of course, is dialectics. Cultural thought is dialectical thinking [4].

Master the process of knowledge creation - a necessary condition of mind culture. The current crisis reveals the principles of rational thinking as the crisis in the education policy of the Russian Federation in particular, that is reflected in the above-mentioned contact "Law on Education". The problem of education can be neither set nor solved is the dialectical approach is general searches forms of human cognitive activity [2]. In other words, in the learning process it is only necessary to bring the method, a common approach to the knowledge of a common and diverse in the world.

Having mastered the instrument of cognition, a universal approach to the development of knowledge, people will never be in a situation of "no catch-up" scientific and technological, social, cultural progress. Moreover a person who owns knowledge of the laws of the world, is able to predict these events.

In conclusion, we recall the words of A. Losev: "Dialectics - a good eye, and where they are penetrated, everything is illuminated, manifested, becomes visible and sensible". [3]

#### **References:**

1. GWF Hegel Encyclopedia of Philosophy. M. : "I Thought." 1977 - 471 p.
2. Ilyenkov EV Philosophy and Culture. - M., Publishing House of Political Literature, 1991. 3. GV Lobastov. For philosophical reasons pedagogy VV Davydova // Problems of Philosophy, 2005, number 4, pp 35-38.
3. Losev Essays on Ancient Symbolism and Mythology - th, 1927 - . 542.
4. Poliarush AA Nurgaleev VS Formation of ecological thinking of schoolboys on the basis of the dialectical approach - Krasnoyarsk, 2001 - 145 p.
5. <http://studopedia.org/>
6. <http://www.apn.ru/opinions/article18414.htm>

## «FASHIONABLE WORDS» IN THE SPEECH OF POLITICIANS

**Alexander A. Krasnenko**

2<sup>nd</sup> year student of the Department of Theory and history of state and law  
Achinsk branch of Krasnoyarsk State Agrarian University  
Russia, Achinsk

**Larisa N. Paderina**

supervisor

Cand.Philol.Scie., associate professor of the Department of Civil law and Philology  
Achinsk branch of Krasnoyarsk state agrarian University  
Russia, the city of Achinsk

**Abstract:** the article is devoted to "fashionable" words, the choice of which is determined by the historic and political situation, in speeches of politicians on the example of texts of Russian President Vladimir Putin and his entourage.

**Keywords:** neo-rhetoric, the speech of politicians, the style of the leader, fancy words, frequency words.

In the framework of norfolki particular attention is drawn to the speech of politicians, which, as rightly stated M. N. Panov, "adjusted" by historical and political changes bear the imprint of the era, the style of public administration, transient linguistic fashion, as defined by the authoritative leader of the state and its environment" [4, p. 35]. Verbal behavior of politicians and journalists copied, broadcast, disseminated in mass media, thereby influencing the speech of ordinary citizens. In this article we will focus on the so-called fashionable words in the speeches of Russian politicians, and especially the President of the Russian Federation.

The concept of "trendy words" in modern publications is disclosed as follows: "fancy words (also glamorous vocabulary and "buzz words") — a special kind of new words and language structures commonly used in Commerce, advocacy and professional activities to provide experience and awareness of the speaker to give anything way of importance, rarity or novelty" [2]. M. N. After Panova N. G. Zhuravleva clarifies the signs of fashionable words: modernity, topicality, novelty and relative frequency [4, p. 34]. In our work we stick to the latter interpretation of the term.

To identify "buzz words" in political speech, we reviewed the President's annual address to the Federal Assembly in December 2015 [5].

Working with the specified text by Vladimir Putin, we determined the frequency of words and combinations. Nouns and adjectives: Russia - 44 times (2014 - 53), terrorism, terrorist, terrorist attack – 30 (2014 - 0), the pax – 22 (2014 - 13), the state – 20 (2014 - 37), Economics – 15 (2014 - 20), army 8 (2014 - 2), the substitution - 5 (2014. - 0), act – 7 (2014 - 6), Turkey – 7 (2014 - 0), Syria – 7 (2014 - 0), Ukraine 0 (2014. - 14).

Notably sharp drop in the use of the word "people": 3 mentions this year against 15 in the previous year. Instead of the word "people," Putin preferred to use the word "people" (22 mentions of this year, 13 mentions in 2014), which has a less Patriotic coloring and at the same time more simple and humane. Changed the key words that Putin used in the foreign block of the message. Completely missing the word "Ukraine" (2014 – 14 mentions), "the United States" (2014 – 8 mentions), "Europe/EU" (2014 – 10 mentions) and "sanctions" (in 2014 – 4 mentions), which, of course, due to the current foreign policy situation in the world. Now in the President's speech included the word "Syria" and "Turkey" (7 mentions).

On 2<sup>nd</sup> place in the ranking of the most Russian words have up the word "terrorism/terrorist attacks" - Putin has used those words 30 times. However, despite this, terrorism has not been associated with protection from terrorist attacks inside Russia: "security" is mentioned 1 time (2014 – 8). Terrorism has been associated with the military operation in Syria. In connection with these events has also increased and the number of times that the word "army/military" (8 times this year, 2 in 2014).

Verbal education-predicate can be divided into several groups: 1 group – impersonal-infinitive of education (for example, "need to take", "to act", "need to find", "need to provide", etc.), group 2 – the imperative form ("offer" – 11 times, "please" – 12, vs. "charge" – 1 times), group 3 – the plural form with the pronoun "we" (know, have encountered, remember, not forget, recall, see, answer, act, etc.). The comparison only by using the forms of verbs singular and plural in the texts of Vladimir Putin [6], indicating a change in the position of President from sole control to joint. The trend of replacement of the pronoun "I"

the pronoun "we" or impersonal constructions. This year, Putin used the word "I" three times (in 2014 – twice in 2013 – 14 times in 2012 – 33%).

All this allows to conclude the following: the frequency of words and phrases is dependent on the current political and economic situation. We believe that this trend is due to the need to consolidate forces to solve the global problem of protection of the state, nation and world.

If you follow the logic M. N. Panova, we can and we should see a shift of emphasis in the speech environment of the President, as he is 03 December 2015. asked for a specific model of verbal behavior of politicians. Look at the last texts of the ex-President D. Medvedev, the Analysis of the transcripts of the speech Medvedev on February 13, 2016. confirms our assumption. Among frequent words in the specified text, we observe the following: Russia – 17 examples of, terror / terrorism 12, conflicts – 10, security 8, threats – 8, war – 6, Syria – 6 [1]. The speech of the Prime Minister of the Russian Federation in tune with the President's speech not only the frequency of individual words, but also the General rhetoric is a concern for the safety of the country, the world.

On the basis of the analysis of lexical means, the most frequent in the texts of the leading politicians of the Russian Federation, it is possible to formulate the following conclusion. The texts of political figures is full of so-called "trendy" words that are defined by the economic and social policies in the country and the world today – concerns about security not only in single country but also in the world community as a whole.

### **Bibliography:**

1. Dmitry Medvedev's speech at the Munich conference. For the full text. February 13, 2016. // <http://tass.ru/politika/2665688>
2. "Fancy words" in the modern Russian language. // [www.infobrok.ru](http://www.infobrok.ru)
3. Novikov VL. A new dictionary of buzz words. Moscow: AST, Zebra E, 2011
4. Panova M. N. Fashionable words in the speech of officials. // Russian speech. No. 6. 2015. P. 34-39
5. The President's address to the Federal Assembly in 2016. // <http://anegrinews.ru/201512/031449148498.html>
6. K. Samotesov. Means of influence in the speech of the President of the Russian Federation Vladimir Putin. // Research and educational potential of youth in addressing the pressing problems of the XXI century: the scientific journal. Achinsk. 15 April, 2015. / ANS. comp. A. N. Poluboyarinov. Vol. 3. Krasnoyarsk: Toros, 2015. P. 484-486



# THE SYSTEM OF MILITARY-PATRIOTIC EDUCATION OF STUDENTS IN HIGH SCHOOL: PROBLEMS AND PROSPECTS

**Valery M. Kuznetsov**

Evgenij V. Morozov

2th year students of the Institute of Economics and Finance of AIC

Krasnoyarsk State Agrarian University

Russia, the city of Krasnoyarsk

**Alexander N. Kovalchuk**

Research supervisor

Cand. Teh. Sci., associate professor of the department of health and safety

Krasnoyarsk State Agrarian University

Russia, the city of Krasnoyarsk

**Abstract:** This paper describes the system of military-patriotic education, analysis-ruyutsya problems and prospects of development of this work.

**Keywords:** system, patriotism, education, student.

The modern system of patriotic education of young people began to take shape at the turn of XX and XXI centuries. Acute government the need for it was dictated by the current at the time of socio-political and socio-economic situation in the country. In accordance with accepted at this stage of the regulatory legal acts of the protection of cultural, spiritual and moral heritage, historical traditions, among which and patriotism, has been included in the national security of the Russian Federation.

Currently, the system covers all levels of the educational leader, starting with the family, preschool and educational institutions, cultural institutions, media, sports, labor, military, and other collectives, public associations-tions and ends with the highest authorities of the state.

It is undeniable that should bring up the patriotic values from an early age and to create conditions for strengthening patriotic feelings throughout a person's life. A special role in the creation of such conditions, in our opinion, belongs onrazovatelnyy institutions.

In the higher education system of military-patriotic education is realized etsya in training and outside the classroom.

Thus, the federal educational standards, open source software provides the study of discipline, "Health and Safety", the amount of hours which is 68 hours, including on the development of the foundations of military service - 48 hours.

The objectives of the course "Health and Safety" are, including:

- education of patriotism, respect for the historical and cultural past of Russia and its Armed Forces;
- formation of moral-psychological and physical qualities required to perform military service;
- study of the basic provisions of the Russian legislation on-field defense of the state, on military duty and military registration, obligatory and voluntary preparation for military service, military service by conscription and contract, stay in the reserve, the rights, duties and responsibilities military officials and citizens in the reserve;
- study of the device and the rules for handling the fighting manual small arms-eat bases tactical, combat, medical training, issues of radiation, hee-nomic and biological protection of troops and population;
- practical consolidation of the knowledge acquired during the training sessions;
- conducting a military-professional orientation to master military specialties and a selection of the officer profession.

As you can see, one of the components of the preparation of mid-level is a military-patriotic education of students, which takes place in different forms. The most important forms of this work are the lectures and practical classes, writing essays, making presentations, view video and audiofilmov on military-patriotic themes.

Today, universities system of training mid-level professionals are well represented. For example, in the ACT KrasGAU openly on such subjects as the 38.02.01 - Economy and accounting, 10.02.08 - Technology of meat and meat produking, 35.02.07 - Agricultural Engineering, 35.02.07 - Electrification and automatation of agriculture economy 35.02.14 - Hunting study and fur farming, which has about 150 students. According to the forecasts set for this form of training will only increase.

During school hours, students in high school are actively engaged in various circles of the student club KrasGAU and are involved in various activities of the military-patriotic. Today KrasGAU student club is the center of artistic creativity of university students, education Chuv-tion of humanism, tolerance and patriotism. Art student groups throughout the history of the university repeatedly took prizes at the city, regional, national and international competitions.

An example of an active, purposeful work on military-patriotic young generation PLAYBACK-Tanya, in which appear all kinds of patriotic upbringing, is the work of the university club "Patriot".

Especially revealing aspect of this work is to attract high school students to participate in various sports activities military orientation.

Thus, the team of the University in 2016 traditionally took part in the province-O competitions among young people under the slogan "Serve Russia either of us is ready" and IV kraevom military-patriotic festival "Siberian Shield" in 2016.

The participation of university students in these activities could not be a better deal, is, in practice, facing the task of military-patriotic education of youth, is since carried out with the aim of involving students in regular physical training and sports, health promotion, prevention of addictions and crime, involvement the most important events in the history of the Fatherland and aimed at forming a positive attitude of young people to undergo military service and contract, as well as to create conditions for the guaranteed acquisition of RF Armed Forces physically and mo-morally and psychologically trained conscripts.

In order to further improve the work of the tasktion popularization of these activities among young people in school, and this requires, in turn, development at the University of the corresponding material base.

#### **Bibliography:**

1. Ministry of Education and Science of the Russian Federation of 05.07.2014, № 457 "On approval of the federal state educational standards of secondary vocational education in the specialty 35.02.08 Electrification and Automation of Agriculture. URL : <http://www.consultant.ru> (date of treatmebt: 10.03.2016).
2. Government Decree of 31.12.1999 № 1441 "On approval of the Regulations on the preparation of the Russian citizens for military service."

## THE QUESTION OF ESSENCE THE CONCEPT «NATIONALISM»

**Nikita V. Losukov**

1st year students of the Department of Law  
Achinsk branch of the Krasnoyarsk State Agrarian University  
Russia, the city of Achinsk

**Albina A. Poliarush**

Research supervisor  
Associate professor of Department of Civil Law and Philology  
Achinsk branch of the Krasnoyarsk State Agrarian University  
Russia, the city of Achinsk

**Abstract:** the article discusses the relationship between the concepts "nationalism" and "patriotism". Particular attention is paid to this issue in the writings of the Russian philosopher Ivan Ilyin.

**Keywords:** nationalism, patriotism, globalization, post-industrialization, nationalization, national idea.

The aim of our study is to identify the relationship between the concepts of patriotism and nationalism, that is, to the problem - Is extremely relevant to our own, the Russian society.

Globalisation - an important feature of the present stage of human development. Experts on the issue of globalization point to one of the most important consequences of globalization - a factor reducing the sovereignty of States. However, according to scientists, there is another important consequence of globalization - the rise of nationalism.

In the last century industry digested workers of all nationalities, erasing in their shops their cultural differences and their melting the class into a single entity. The ideology of internationalism reflect this process, expressing the need for production in the erasing of national differences that hamper the establishment of a standardized labor force has advanced to the industrial age.

Postindustrial technology is spreading rapidly in the era of globalization, the need for expanded quality differences and made a feature not only important, but also in public by having a massive demand competitive advantage.

If the interests of industrial production competitiveness demanded erase differences, including national, now they require exactly the opposite: the maximum expression and even the cultivation of these differences.

What is nationalism? Why in our society has formed a negative stereotype of the interpretation of this term?

It's simple: nationalism - is a love for their nation and patriotism - love of country.

"There is a point of view, according to which the patriotism includes the love for his people. However, this does not follow. We just try to substitute concepts to fulfill the order of certain groups to demonize nationalism. The Latin word for the patria, from which comes the word "patriotism", clearly translated into the Russian language as the only "homeland", that is, the place of birth. This means that patriotism is love of country as the place of birth - no more and no less. The lexical meaning of the word any way related directly to his people is not [1].

The dictionaries are usually written that patriotism - a love for their motherland and its people. This seems an obvious absurdity. Love for the homeland and love for the people must be separated.

Love for the Fatherland - a love for the earth, nature and the native language, love of power (not always), the state, to save my people. [2]. So patriotism importantly - the country, the state, the land. A love for his people is another. Love for the people - it is nationalism, it is primary in relation to the love for the Fatherland, it is the basis of everything in the homeland, in the homeland without nationalism has nothing to love. Patriotism - is an extension of the concept of love for his native home.

Nationalism - the expansion of the concept of love for the native people.

The nation primary state again. For the nationalists there is an axiom: "a nation created by the state." The Patriots also often say the opposite: "the state creates the nation" [2].

All that is good for Russian - good for Russia. But not everything is good for Russia - good for a Russian. If the Russian state is contrary to the vital interests of the Russian nation, it requires exorbitant victims - then who needs a statehood?

Why is our society in search of a national idea, the so-called "scrapie", consolidating the people into a single, indivisible whole? Why do you have something to invent artificial and grind? Why this idea is not something natural? Because we have lost the "common denominator", point of contact, lost a common culture, language, spirituality, we do not have a single view of the country's past, more or less clear idea about the future of Russian civilization. Nothing unites us.

Alexander Solzhenitsyn as a national idea, proposed the idea of preserving the nation: that nobody has left Russia, so there was no African mortality not have anywhere to be torn, do not win one, just need to preserve the culture, the gene pool. [3]

In our search for a proper understanding of nationalism we rightly turned to the philosopher Ivan Ilyin, a professor of law, Lenin expelled in 1922 from Russia, along with 160 other philosophers, economists, public figures.

In contrast to every internationalism - a sentimental and fierce; as opposed to any of denationalization - domestic and political, we argue Russian nationalism, an instinctive and spiritual.

Each nation has a national instinct, given to him by nature. And every instinct of the people and the spirit of living in their own way and create precious originality. Revealing it, exercising it, we fulfill our historic mission, to deny that we have neither the right nor the desire. Every nation has its own way marries, gives birth, sick and dying; in his own is treated, labor, economy and rest; in their own grieving, crying, angry and despairing; in his smiling, joking, laughing and rejoicing; in their own walks and dances; in his own singing, and he creates music; in their own way she says, reciting, acute and oratory; in their own watches, contemplates and creates art; in his own explores, learns, talks and shows; in his own begging, charitable and hospitality; in its own building houses and temples; prays in his own way and heroism ... He's in his own haughty spirit and repent. In its own organized. Each nation has its own special sense of right and justice, a different character, a different discipline and a different view of the moral ideal, a family life. In short, every nation has a different, special way of peace and spiritual and creative act.

Therefore, nationalism manifests itself primarily in the instinct of national self-preservation, and this instinct is the state of true and justified. He should burn in the national culture, and in the work of the national genius. Nationalism is the belief in an instinctive and spiritual strength of the people, faith in his spiritual calling, the contemplation of his soul, his weaknesses, his talents, his historical perspective, its dangers and temptations. Nationalism is a system of actions arising out of this love, of this faith, of this will and this contemplation.

The current young generation of Russian nationalists often believes that it starts with a clean slate. And it is clear that they sometimes have a terrible loneliness. For some reason they do not take into account the cohort of great men, who defended the position of Russian nationalism. Persuasion Russian nationalists were the world's geniuses: Pushkin, Lermontov, Tolstoy, Dostoevsky, Vernadsky. "World genius" is always and above all - "national genius". True greatness always soil. The true genius is always Nazionale, and he knows this about himself. [4]

Nationalism - an ideology save themselves and their identity in the new global world where you now live in one country, in another tomorrow, the day after tomorrow - in the third. Boundaries are changing the country are born and die, and the nation's - remain. You just have to nationalism, the ideology of commitment to their identity and their nation regardless of borders and nationalities.

It must be clearly understood: Russian nationalist can not be a patriot, no matter how he treated present in the current moment of time clicking officials.

"The fact that the Russian man is not a slave in essence, confirmed his willingness to fight to the death on the orders of the government itself, which he considers unfair. As you know, the people living in slavery, do not fight for their masters, and the troops, recruited from slaves, run away as soon as possible ". [5]

So, Napoleon promised Russian peasants liberation from serfdom and Russian nobles at the time spoke better French than in Russian. It is obvious that farmers have a strong resistance to the progressive Napoleon, defending their spirituality, values and patriarchal foundations of community something alien, hostile, and therefore damaging their habitual way. Least of all the Russian peasant was thinking about the protection of state sovereignty.

Generally speaking, if the enemy attacked - we must act according to Russian rule "who comes to us with a sword, that perish by the sword." That is why, declaring it was the Soviet internationalist patriotism, pre-war propaganda was raised Russian identity. Remember the movies of those times: "Alexander Suvorov", "Admiral Nakhimov", "Alexander Nevsky" with his famous song "Arise, Russian people!", Etc. Stalin decided to use the Orthodox religion, "Russian spirit" to mobilize the forces and

resources in the fight against the external enemy. On the orders of Joseph Stalin, the task of "Bolshevik tempo" was delivered to restore normal performance of religious rites. A decision on the establishment of the theological academies in Moscow, Kiev and Leningrad, the Holy Synod, and so on.

However, after the war, when the national consciousness of the nation's already served in good stead, and it had to be uprooted, Orthodox churches were again selected by clubs and warehouses. [6]

But back to the philosopher Ivan Ilyin. It would be quite wrong to interpret his views on nationalism sided uncritically. Ilyin warns of the possibility of the nationalism of Nazism, if people do not comply with the measures in the realization of its meaning and value: "true nationalism opens man's eyes and national identity of other nations: it teaches us not to despise other nations, and to honor their spiritual achievements and their national feelings, for they put them in their own way as best they could. "

### **Bibliography**

1. [http://nicbar.ru/etnopolitologia\\_05.htm](http://nicbar.ru/etnopolitologia_05.htm)
2. <http://fizrazvitiye.ru/2011/09/nacionalizm-patriotizm.html>
3. <https://openrussia.org/post/view/13346/>
4. <http://warrax.net/nrs/nn05.html>
5. A. Goryanin, "Myths about Russia and the spirit of the nation" - M.: Pentagraphics, Ltd, 2001 .329s.
6. <http://www.pravoslavie.ru/2448.html>

# MODERNIZATION OF TRADITIONAL CHINESE SOCIETY

**Maria V. Mikhaylova**

1<sup>st</sup> year student of the agroengineering direction

Krasnoyarsk state agricultural university

Achinsk branch

Russia, city of Achinsk

**Tatyana A. Korneyeva**

research supervisor

Cand.Phil.Sci., associate professor

Achinsk branch of the Krasnoyarsk State Agrarian University

Russia, the city of Achinsk

**Abstract:** The article considers the background and consequences of modernization of traditional Chinese society.

**Key words:** China, modernization, tradition, society, family.

The confrontation of traditional and modernized (modern) cultures is increasingly becoming a fundamental problem of the modern era. This opposition has a growing influence on the cultural and historical process. The term “modernization” means the introduction of new, progressive forms of activity, technology and ideas which accelerate simplify and facilitate a way that people have to follow.

Modernization presents several directions of changes. Historically, it is synonymous with Westernization or Americanization, i.e., movement to the types of systems that have developed in the United States and Western Europe. As a result of clashes with the wealth and power of the Western nations, which ended with a violent “opening” of China to the outside world in the mid-nineteenth century, the Chinese empire was forced to take the path of profound transformation in order to rectify the situation and strengthen its position in the world. That is where the Chinese society faced the question of the transformation of the traditional Chinese empire into the national state of the Western modernity era. This transformation of the basic system of spiritual and moral values is determined by a number of factors and is characterized by certain features.

From the late 1970s to early 1990s China was experiencing reforms that affected all aspects of the society and put the Chinese people face to face with the problem of preservation of traditional culture in the process of modernization. The turn of the Chinese society to a market economy caused a sharp contradiction between the traditional beliefs and moral concepts of a new type. Relationships between people are considered through the prism of the utility, which is opposed to conscience, duty, responsibility, which in turn leads to the loss of moral constraints, the marginalization of moral values in public life.

Currently, there are disturbing changes in the field of morality in the Chinese society, which are closely related to China's transition to a market economy. Inevitably, the question arises whether the young Chinese will adopt traditional Confucian moral ideas. Sociologists studying the Chinese system of moral values of today's young Chinese have presented a hierarchy of the most important moral values among the respondents: honesty, patriotism, respect for parents, politeness, modesty, gratitude. These data generally confirm the commitment of young people to traditional Chinese customs and ways. Many scientists have noted that the teachings of Confucius will retain its spiritual value, despite the entry of Western ideas into China, or “cultural revolution” [3].

In China, the family has always been not only a basic social group, but also the prototype of all other social organizations. Relations have become the basis for the construction of the totality of social relations. The idea of family life left a deep imprint on the consciousness of all the structures of the Chinese. In family relations, harmony was achieved by the presence of loving parents, filial piety "xiao" (Chin. 孝), brotherly agreement "di" (Chin. 兄弟) and solidarity, and the existence of a special relationship to the deceased ancestors. This ideal of human relations has deep roots in the Chinese culture, which explains the preservation of high values of the authoritarian patriarchal family system and the institution of ancestor worship in the Chinese society. Family was considered the heart of society, the interests of the family were much superior to the interests of the individual.

For modern Chinese, family plays a greater role in everyday life than for the Europeans, being the main source of social security, material and moral insurance in case of failures. Currently, however, the traditional notions of family are undergoing considerable change. This is facilitated by several factors.

Among them, the demographic policy of the state, according to which a family must have only one child, urbanization, the impact of Western models and ideas.

In the 90th birth control policy resulted into the so-called generation of little emperors (Chin. 小皇帝). This situation leads to the fact that many families are beginning to spoil the child, as far as possible try to give him a better life. On the other hand, the sole heir is imposed a great responsibility, and hope that in the future he will take care of his parents. [2]

In studies of Chinese scientists, the problems of family education and family morals in modern China were pointed out. During the Cultural Revolution, the question was raised about the withering away of the family, it was considered a relic of the past, regarded as ties as shackles. Because of this policy, many young people do not get a normal family upbringing.

Currently, between parents and children there are two opposite types of relations: the complete and unquestioning obedience to the will of the parent, more characteristic of rural areas, and disobedience, developed under the influence of the West and more common in the city. The latter is due to penetration of Western ideals into Chinese society. They contributed to the development of new qualities and values such as individualism, individual sovereignty, free competition and pluralism that are becoming common among the young Chinese.

If we talk about preserving the traditions, customs and cultural heritage, then globalization has its negative aspects. This leads to a blurring of cultural boundaries on a global scale, the destruction of traditions, the loss of cultural identity and the creation of a unified (single) culture to the whole world [1]. For contemporary Chinese society it has become the urgent need to find answers to the key question – considering ambiguity and contradictions of social and cultural processes in contemporary China, how to maintain moral and ethical development of the personality, tending to continuous self-development and self-improvement as required by the modern globalized world.

In the context of globalization and modernization, which are taking place in the Chinese society today, it is possible to speak about the importance of the role of the spiritual and moral values in Chinese people's life. Most of the traditional values still play an important role in the rise and strengthening of the state. The changes in the spiritual realm of Chinese people operate in a kind of unique, typical only to Chinese society combination with traditional values.

#### **Bibliography:**

1. Vjen'sju Juj, Chzhan Cze, Lju Jujci. Aktual'nost' sohranenija nacional'nyh tradicij Kitaja v uslovijah globalizacii / IV Vserossijskaja nauchno-prakticheskaja konferencija «Nauchnaja inicijativa inostrannyh studentov i aspirantov rossijskih vuzov» URL: <http://www.lib.tpu.ru/fulltext/v/Conferences/2011/K04/114191.pdf> (the date of treatment: 10.02.2016)
2. Posle 70-h, 80-h i 90-h: razryv mezhdu pokolenijami / Thinking Chinese. – URL : <http://www.thinkingchinese.com/70hou-80hou-90hou-the-enhanced-chinese-generation-gap> (the date of treatment: 20.02.2016).
3. Rosen, S. The state of youth in early 21st - century China // State and society in 21st century China: Crisis, contention and legitimation / Ed. by Gries P.H., Rosen S. – N.Y.; L.: Routledge Curson, 2005 - P. 160-162. URL: <http://bookre.org/reader?file=1166333> (the date of treatment: 10.02.2016)
4. Xin, Gao. History: Our Common Past and Future. - 2015. URL: [http://www.chinatoday.com.cn/english/culture/2015-11/10/content\\_708029.htm](http://www.chinatoday.com.cn/english/culture/2015-11/10/content_708029.htm) (the date of treatment: 10.02.2016)

## MORAL ORGANISATION OF HUMAN NATURE IN PHILOSOPHY VL. SOLOVYOV

**Ilya E. Nazarov**

3rd year student of the Department of Jurisprudence  
Achinsk branch of the Krasnoyarsk State Agrarian University  
Russia, the city of Achinsk

**Albina A. Poliarush**

Research supervisor  
Cand.Ped.Sci, associate professor of the Department of  
Civil law and Philology  
Achinsk branch of the Krasnoyarsk State Agrarian University  
Russia, the city of Achinsk

**Annotation.** The article attempts to analyze the philosophical work of a prominent Russian religious philosopher Vladimir Solovyov, "Justification of the Good." Particular attention is paid to ethical categories shame as the basis of morality. It also discusses the moral category of pity, compassion, solidarity, based on a sense of shame.

**Keywords:** christian philosophy, morality, shame, compassion, pit, love, compassion, conscience.

Vladimir Solovyov is one of the central figures in Russian science of XIX century as in its scientific contribution, and by the tremendous influence exerted by them on the views of scientists and other intellectuals. He founded the direction, known as the Christian philosophy. Vladimir Soloviev opposed the division of Christianity in the Catholic and Orthodox, and defended the idea of ecumenism. He has developed a new approach to the study of man, which has become predominant in the Russian philosophy and psychology of the late XIX - early XX century.

By analyzing the reflections Vl. Solovyov about the feeling of shame, and the role of the senses in the development of human morality, we can conclude that the sense of shame is a fundamental factor that distinguishes man from animal. It creates an ethical human perception of nature. The feeling of shame - a tool to subdue the elemental life of human spiritual life.

Solovyev emphasizes the presence of a man of such qualities are absent in all other animals. For example, the sense of shame, that "there is already a de facto absolute difference between man and the lower nature" [1]. In contrast to the human or animal is not ashamed of his physiological acts. Man also be ashamed when the animal takes in it the upper hand over the human. The sense of shame is surprising because it is impossible to explain whatever it was biological or physiological causes, for the benefit of an individual or family. It has a different, more serious meaning: it indicates the highest in comparison with the animals, the moral nature of man: if a person is ashamed of his animality, therefore, it exists as a person; if a person is ashamed, therefore, it exists not only physically but also morally.

According to Solovyov, crucial shame lies in the fact that it is this sense of "is determined by the ethical relationship of man to material nature" [1]. The man is ashamed of the domination of nature in himself, he is ashamed to be her slave, and thus he admits, on its, their dignity and inner freedom, in virtue of which he is entitled to the material nature, and not vice versa.

Further, in the first part of "Justification of the Good" philosopher connects shame with the principle of austerity. For a man characterized by the consciousness of his moral dignity, which is half-consciously and is unstable in a simple sense of shame. The action of the mind, it is raised to the principle of austerity.

The philosopher believes that the spirit of man opposes the material nature. This opposition is expressed in shame and develops in asceticism. The reason it is not nature itself, and the influence of its "lower life" that seeks to subjugate a rational being man and turning it into a "blind appendage of the physical process."

Next to a sense of shame, which Soloviev describes the basic moral sense, in human nature there is also a feeling of pity, which is "the root of the ethical attitude is not an inferior, material beginning of life in every man, and other men and all living beings, his ilk" [1]. Philosopher understood as a feeling of pity for another's suffering or needs, solidarity with others. From this simple root, which is based on the parent,



especially a mother's love, and then place these specific moral feelings as compassion, mercy, conscience, all polysyllabic internal and external social relations.

While agreeing that pity in common human understanding - it is good, and people exhibiting this feeling is called good, and a ruthless man - evil, Solovyov nevertheless argues that the essence of all morality and all good can not be reduced only to compassion.

The philosopher does not challenge the assertion that pity or compassion - is the basis of morality, but he stressed that this feeling is only one of the three components of the foundation of morality, which has a well-defined field of application, namely, it determines the proper relationship of man to the other beings of his world.

Just like out of a sense of shame develops austerity rules, so compassionate altruism develop rules. Solovyov agree that pity - it is really the basis of altruism, but he warns against identifying the concepts of "altruism" and "moral" because altruism is the component of morality.

Philosopher also reveals the true nature of mercy, which "did not have an immediate identification with others, and recognition by one's own (he owned) values - the right to existence and possible prosperity" [1]. This means that when a person is spared another person or an animal, it does not take it for himself, and sees in it the same animate being, like himself. And as a man recognizes himself certain rights in the fulfillment of their desires, he, feeling pity, recognizes the same rights, and for others, and in the same way responds to the violation of the rights of others. The man calls himself, as it were with those to whom he feels pity, presents itself in its place.

Based on these assumptions, Solovyov makes the following conclusion:

"Conceivable content (idea) of pity, or compassion, taken in its totality, and regardless of the subjective mental states in which it occurs, there is truth and justice" [1]. Thus, the truth is that other creatures similar to man, and rightly so, that it belonged to them as well as to himself.

From this position, by different reasoning philosopher it displays the main principle of altruism, which is psychologically based on the feeling of pity and justified reason and conscience: "Do unto others as you would have them do unto thee by" [1].

However, VI. Solovyov said that this general rule does not involve financial or qualitative equality of all subjects. In nature there is no such equality, and it is pointless to demand. In this case, it is only on the equal right of all to the existence and development of their positive forces.

In addition to these basic feelings (shame and pity) in human nature exists as the primary sense of reverence for the supreme. It expresses the relationship of man to something special that is recognized as the highest, from which a person is entirely dependent, before which he was ready to bow. A sense of awe before the higher is the basis of religion. It generates such complex phenomena of moral life as the pursuit of the ideal of self-cultivation.

This feeling is the basis of religious principle of morality.

A smooth transition from the rules of justice and mercy, which is psychologically based on the feeling of pity, Solovyov sees a sense of awe at the example of relations between parents and children. According to the philosopher, these relationships are specific. They are not confined to justice and humanity, and not derived from self-pity. The relationship of children and parents are built on the recognition of the superiority of a child of parents over them, and their dependence on them. The child feels about him reverence, and out of this feeling stems practical duty of obedience. These relationships will definitely go beyond altruism as a moral attitude of the children to their parents is not defined by, on the contrary, it is based on the recognition that makes these creatures are unequal to one another.

Of course, these relations do not contradict justice, but apart from that they concluded something special. Loving his parents, the child certainly feels the need, and in their love, but the love he feels for his parents is significantly different from the love that he expects from them. In the love of the child to the parents' reigns supreme sense of reverence for and obedience to his duty, and do not assume that a child requires and currently from parents of the same respect and obedience ". [1] According to the philosopher, filial love has the character of awe.

Solovyov believes that it is the attitude of the children to their parents, positive inequality present in their relationship due to the benefits of parents to children, provide them with solidarity and is the basis of a special kind of moral relations. The philosopher sees here

"Natural root of religious morality, which is a special, important area in the spiritual nature of man".

[1] Thus, the originally simple feelings (shame, pity and reverence for the highest) form the basis of human morality and human avert evil. They are the foundation of virtue, showing how to be a man.

VI. Solovyov identifies these three qualities as the most important for human nature. Philosopher, explaining his choice, he argues that all of the other qualities, such as debt, freedom or justice, is far from straightforward, and not without internal contradictions, the presence of which can easily wrap them in a

direct or evil, or a means that leads to evil. It is also important that these feelings are not inherent in the nature of man.

However, this is not all. For Solovyov most important thing is that only three of these initial feelings - shame, pity and reverence for the supreme authority - can be the guarantors of morality, that is, ensure personal human morality. Only these simple feelings (each individually, and especially all together) are a guarantee that the person possessing them will not make even attempts to kill, steal and cause some harm to other people. Such a person is ashamed to be bad, it not only can not do evil, he now can not do it and will give it up. He is now doing good.

So, Vl. Nightingales "lived" the good in human nature and decided the issue of human nature in favor of good.

In conclusion, I would like to note that Vl. Soloviev very attentive and kind to the human needs and aspirations: examines the most common way of life, appealing, despite the element of evil, to the clear simplicity of truth and good, is not established by violence, but in the end the most sincere impulses of the human will.

The human desire for good justifies him that very often considered incompatible contradiction. So, morality peculiar ascetic beginning. But it is not a goal but only a path to goodness, and that - not the only one. Characteristically, there is a roll call to Buddhism, which also proclaims the "middle way", not to encourage excessive deviations. This once again shows that no matter how many religions, they all have a grain of truth, it is only necessary to be able to see it.

Human personality - in the foreground. But this plan, too, is far from final. Vl. Solovyov gives the whole theory of the family, where the identity although in the foreground, but is in agreement with a number of other individuals, or their ancestors or descendants. Sexual love is justified, but it does not prevail, and contains in itself, and much more. Childbirth benefit - the good, but also not the only one. Personality is the fullness, but to complete this fullness it needs in society. The Company is the fullness, but the completion of this completeness is not just in the community and throughout the historical process, ie, in humanity.

The economic and political life of the state and the right - are integral aspects of the historical aspirations of mankind to truth and goodness.

#### **References:**

1. Vl.Solovyov Justification of the Good: Moral Philosophy. - M.: Republic, 1996.
2. [ru.wikipedia.org/wiki/Соловьёв,\\_Владимир\\_Сергеевич](http://ru.wikipedia.org/wiki/Соловьёв,_Владимир_Сергеевич).

# THE CONCEPT OF "ONE COUNTRY, TWO SYSTEMS"

**Yulia V. Paderina**

2nd year student of master in International relations

Far East federal university

Russia, Vladivostok

**Larisa N. Paderina**

research supervisor

Cand.Philol.Sci., associate professor of the Department of Civil law and Philology

Achinsk branch of Krasnoyarsk state agrarian University

Russia, Achinsk

**Abstract:** the article is devoted to the phenomenon of "one country, two systems", namely the question of the relationship in China between the two governments: the Communist and the Guomintang.

**Keywords:** concept, phenomenon the status of a legitimate government, the conflict, the participants of international relations, people's Republic of China and the Republic of China.

More than half a century in international relations there is the phenomenon of "one country, two systems". In China is currently quite peacefully co-exist with two governments: the Communist and the Guomintang with the centers in Beijing and Taipei respectively. Each of the two governments shall present their claims to the status of the only legitimate government of one China.

The history of the conflict begins in 1949, when the revolution of the Chinese people, the Communist party won and proclaimed the people's Republic China (hereinafter PRC), and grouping the Guomintang retreated from the mainland to Taiwan, in the Chinese province [1]. For 30 years both sides of the Taiwan Strait had no formal links with each other [2]. Any attempt of the independence of the island considered by Beijing as a perfidious violation of the principle of state sovereignty. The Kuomintang party of Taiwan was considered only as a reference point in the battle for a United China, "as a springboard for the imminent Glorious Return to the mainland, and the liquidation regime "Communist rebels" and the restoration of his power" [3]. By the end of the 70s Taiwan had already make a huge shift in development, having turned in well-rounded participant of international life with which China could no longer fight only by force or threats of force. Therefore, the only possible solution was the search for a peaceful resolution of the Taiwan problem. The leaders of mainland China took a course on modernization of the country and openness to the outside world. Actively start to introduce and widely apply the so-called "soft power".

Gradually from two sides of the Strait began to develop various kinds of informal contacts, a trail followed by in the 90's and official communication. The economic success of Taiwan and the warming of relations with Beijing, ironically, led to the strengthening of separatism on the island. The consequence of these processes was the victory in the presidential election of 2000. the most powerful of the extreme separatist parties of Taiwan's Democratic Progressive Party. Her representative, Chen Shui-bian, has been President of two consecutive terms, and the period of his leadership was characterized by a very rigid policy towards Beijing, despite the recent desire to reduce tensions by easing the principle of "one China". According to the Minister of foreign Affairs of cian ciacen,, "enough for both sides recognized "one China", and not necessarily to make a choice between the people's Republic of China and the Republic of China" [3].

With the coming to power of Chen shuybyan began active construction of "Taiwanese identity", which already had fertile soil [3]. This increased separatist sentiments could not fail to disturb Beijing. Began active cooperation with the leaders of opposition parties in Taiwan, winning the support of the island's population [3]. Gradually the policy of Beijing, gave the required results, and in 2008 the presidential election the DPP has failed to win, again transferring the powers of the Kuomintang. Accordingly with the change of government and change policy regarding the mainland. The Kuomintang, the policy advocates "United States", again took a course of rapprochement with China.

Today both parts of the so-called "unified state" has made an impressive progress in development, despite the enormous difference in the internal structure of systems. Taiwan occupies a leading place among the "Asian tigers" and China - among the "dragons". In accordance with the global competitiveness index, published by the world Economic Forum, Taipei ranks among the 15 most attractive countries in the world,

from Beijing in the 30-and [4]. Recently both parts of China quite peacefully coexist on the historic territory of China, although the contradictions that complicate the situation had not been resolved.

Analyzing the contradictions underlying the conflict, from the viewpoints of different theoretical approaches in international relations can be different and to perceive the overall situation. The most common position is the interpretation of the conflict from the point of view of neorealism. The conflict between the PRC and the KYRGYZ Republic as the conflict of interest lies in defending the most advantageous for each party position. On the one hand, the PRC could not tolerate the violation of the principle of sovereignty, as it compromises not only the credibility of the Communist party of China, but also can cause instability in other regions of the country. On the other hand, a stable and dynamically developing cities (Shanghai, Hong Kong, etc.) can Express a desire to go on an independent path of development, independent from the centre. But a complete refusal to cooperate with a part of the island deprives Beijing of a multitude of economic benefits and preferences. From this and is the current strategy of the Communist party in relation to the Taiwan – refusal of recognition of independence of the island from the mainland, but the actual collaboration and co-operation, without specifying the degree of importance of partners. CU can't compromise their principles and to be part of China on the rights of the administrative units, as that would cause severe damage not only to the economic situation of the country, but will affect all spheres of public life.

From the point of view of neoliberalists is in a completely different way. Each of the parties to the conflict trying to impose their political ideologies, however, under the systems of two societies that are strikingly different from each other, it is impossible to do. This is where the misunderstanding between the parties in the interpretation of the concept of "one country, two systems". Each party puts its meaning in the understanding of the past based on their own experience, values and political attitudes.

According to the theory of constructivism, the conflict of Taipei and Beijing should be called a conflict of identities. At the present stage of development of the conflict is much harder to come to resolution of the problem, as the division between "us" and "them" are already firmly entrenched in the minds of the masses. Perhaps if both sides hard to take a course of rapprochement and begin to pursue an active policy in this direction. The creation of the concept of "one state", which is not denied nor one nor the other party (the question is only which party should lead the Chinese people), and is a kind of step to the construction of identity as one nation.

Therefore, analysis of the Taiwan problem from different sides can come to completely different conclusions about prospects of development of the conflict. In our view, the most relevant approach to this issue is constructivist. He reveals the essence of the conflict is wider than the other theories.

#### **Bibliography:**

1. The one-China principle and the Taiwan issue [Electronic resource] // <http://saint-petersburg.china-consulate.org/rus/zt/zgtw/t174806.htm>
2. How do the people of Taiwan to the problem of the reunification of China [Elektronnyi Resurs] // [http://towards-to-taiwan.com/index.php?option=com\\_content&view=article&id=58:2010-07-30-11-04-44&catid=37:faq&Itemid=67](http://towards-to-taiwan.com/index.php?option=com_content&view=article&id=58:2010-07-30-11-04-44&catid=37:faq&Itemid=67)
3. "The one-China principle" for relations between the two shores of the Taiwan Strait [Electronic resource] // <http://www.synologia.ru/a>
4. World economic forum: the global competitiveness report 2014-2015 [Electronic resource] // <http://gtmarket.ru/news/2014/>

## THE IMPACT OF WORDS ON PEOPLE

**Alex A. Pinarin**

1st year specialty TOR – 15 -21

The regional state Autonomous educational institution

«Achinsk College of transport and agriculture»

Russia, the city of Achinsk

**Galina A. Zhukovskaya**

Research supervisor

teacher of Russian language and literature

The regional state Autonomous educational institution

«Achinsk College of transport and agriculture»

Russia, the city of Achinsk

### Abstract:

Blessed be, human speech,  
Which is called the gift of God,  
And that hope can be lit,  
And burn the last hope.  
A. Keshokov

Every word spoken by the man who carries great energy and force: either destructive or constructive. Each person as a spiritual person, has the power to create or destroy with words. The proof is the study of works of art Keshokova A. I. Krylov, P. Corneille, etc.

**Keywords:** Expression, language, spiritual identity, the art of speech, the soul of the word.

In the beginning was the Word...  
The Bible

The man always have to solve difficult problems, what words can be healing, and which can burn the last hope.

Search healing words - it's challenging. Journalist I. Zelenka writes: «I chose this craft that I am suffering impotence unceasingly, searching for the words that kill evil, searching for the words to healing the wounds».

Exploring the numerous sayings, Proverbs, tales, and Proverbs of all ages and Nations find evidence of the impact of words on thoughts, actions, emotions, and physical and mental status of the person. For example, the basic idea of the parable of the wise Aesop, ancient Greek fabulist says: «Language is the most beautiful thing in the world. The language we pronounce the words of homage, hope, love, language we declare to the world, the language we utter the word «freedom»... isn't the awful language in the world?! The language we utter words of hate, the language we declare war, the language we utter the words «slave»».

With this clever parable echoes the statement of A. Keshokov: For centuries the all-powerful word,

And in the sublunary world because

Soul to make him not new

Or, on the contrary, to plunge into darkness.

When we say «language», we think «words». And speaking should remember that the gift of words is unique and invaluable tool to penetrate much deeper than simply by the external senses. But to achieve this goal, you must wield the gift of speech so that it was used not only for comprehension, clarity of the acquired material, as well as to affect other, more deep experience of the soul, hiding under the influx of external sensations.

Of primary importance is the semantic content of the word, its psychotherapeutic effect. Exploring the fable by I. A. Krylov «the Writer and the Thief»:

The other one was covered with glory the Writer:

It is thin poured into their creations poison

Inspired faith, enrooted corruption,

Was like a Siren, kadagatan

And, like Serena, was dangerous. - I find confirmation of this.

The word can lead to changes in the body which cause, for example, cold, fire. L. N. Tolstoy, describing the cold, suddenly felt that his fingers were cold and blue.

Nizami qualifies the conclusion that the word may have an impact not only on the state of mind, but also all vital functions of the body, «And do my language so sublime, that my destiny death has become sweet and good».

And, like Serena, was dangerous. - I find confirmation of this.

P. Corneille in his work «Led», echoing Nizami writes:

Sometimes faint from the pain and from happiness:

Excess of joy is so unbearable sometimes,

What, controlling your soul, he exhausts us.

Each person as a spiritual person, has the power to create or destroy with words. The words spoken by us, directly affect the course of our lives. Exploring a poem N. Gumilev's «The Word»:

«The sun stopped word.

The word of destroyed cities.

And the eagle is not waved; wings.

Stars huddled in terror to the moon, if, like pink flame, the word floated in silence!», - find confirmation in the power of words.

Our contemporaries today attach great importance to the art of speech, conversation, since the word has great semantic, pragmatic, phonetic functions, properties. I couldn't agree more with I. Mikhailov:

Lyrics - the softies and word-weasel,

Lyrics-the gates and the keys

Words-cowards and bullies,

Killer words and words-doctors...

Clumsy, cheeky - sweet,

Both good and evil, jaded and greedy,

It is stiff, it is completely obscene...

Characters, shades of Legion!

In these people, as in a magic mirror,

Both externally and internally reflected.

All of the sounds that make up each word, its own soul, its nature, its contents, which must feel talking. If the word is not connected with the life and pronounced formally, mechanically, sluggish, soulless, empty, like a corpse, in which there beats the pulse. The living word is saturated from the inside. It has a definite face and must remain as him made nature.

If a person does not feel the soul of the letter, he did not feel the soul of the word, will not feel and soul of the phrase, thought.

### **Bibliography:**

1. Gumilev N. With. The word./ N. With.Gumilev // Aurora. - 1988. - № 11.
2. A. P. Keshokov The Word. The book in the morning./ A. P. Keshokov - M: Publishing house Soviet writer, 1983.
3. Krylov I. A. the author and the robber./ I. A. Krylov, Moscow: Izd-vo Pravda,1956. – 1.
4. G. Nizami's Khosrow and Shirin./ G. Nizami M.: Publishing house of Artistic literatu-ra,1985. 2.

# FORMALISM OF TESTS IN THE PROCESS OF FORMING STUDENTS' KNOWLEDGE

**Svatkova Albina Alekseevna**

3rd year student of the Department of Jurisprudence  
Achinsk branch of the Krasnoyarsk State Agrarian University  
Russia, the city of Achinsk

**Albina A. Poliarush**

Research supervisor  
Cand.Ped.Sci, associate professor of the Department of  
Civil law and Philology  
Achinsk branch of the Krasnoyarsk State Agrarian University  
Russia,  
the city of Achinsk

**Abstract:** article reflects a brief analysis of some of the tests of legal disciplines applied to test the students' knowledge. On the basis of dialectical logic GVF Hegel concluded to limit the use of this method of examination.

**Keywords:** the educational process, the contradiction, dialectical unity of opposites, reason, intelligence, test, truth, knowledge.

"There is nothing either on earth or in heaven, that would not be included within itself, the contradiction within itself, ie immediate unity of opposites, their matches in the same, and it is at the point of transition into each other, their mutual overflow of transformation " - GVF Hegel.

What is knowledge? This assimilation of information. Assimilation - so I'm fluent with this information. The most urgent immediate task of the modern educational process - enter through the contents of any objectivity in human subjectivity, thus creating a universal ability to possession of any object. The theoretical courses of psychology and pedagogy empirical thinking was and remains dominant. Breeding ground of empirical thinking teacher and student is his natural dominance in everyday life, beyond which both of these characters do not go. Moreover modern Russian pedagogy raises to the absolute principle of the ordinary (rational) thinking. Theoretical pedagogy committed to the principle of thinking as supposedly the most common, and therefore life. This explains the degradation of modern Russian education, which is hard to miss.

To prevent this, we must turn to the philosophy, which is able to broaden the scope of any ideas contained in the knowledge to its ultimate expression, its logical conclusion. Reflection of these limits in the learning process is both a prerequisite concepts (understanding) any particular objective content. Philosophy allows maximum (up to a limit) to push the semantic space of any object, allowing it to capture a universal logic, and thus make the thinking of the subject free, or that - the same thing, to be free in this subject.

Of the three laws of dialectics law of unity and struggle of opposites is most important is the "core" of dialectics. "Sharpens the thinking mind, so to speak, the dulled the distinction of different, simple diversity of representation to a significant difference to the contrary. Only putting professional extreme contradictions, opposing moments are activity in relation to each other and to acquire a "surge of self-motion," ie, development". Central categories of dialectics, thus acting category contradictions [1].

Hegel's idea is very simple: we only correctly will understand and describe the thing that in itself, in its verbal definitions reveal not only its actual existence, but also those of its features that make it sooner or later perish, ie become a different thing , at one another in its opposite [2].

The real meaning of his dialectic of course means that every finite thing is not only a certainty, ie, quality that makes her this thing, but also contains its negativity, which "blows" it to an end, the transition into something else. Even the fact that the subject is defined, means the existence of the border that separates it from other things. Negativity, as a property of things, has a deeper meaning: the other, opposite the subject has no other external and its own other, more himself. As Hegel wrote in "Science of Logic": not "the day, the night," not "the pig, the sausage", and the day - this is the night, a pig - it's sausage, and sausage - it's a pig. In other words, when the conditions change item changes its properties are reversed. For example, a textbook example of a school program in chemistry: states that all metals - solids except mercury. This stereotype is so firmly fixed in the minds of the students that for them is a big opening statement that all

metals are liquids at higher temperatures. Let us give another example of the "Science of Logic": if the house is painted with blue paint, then it is possible that will be green, if he had previously had a green color.

Manifestation things depend on the properties of the internal and external characteristics. If a man thinks in opposites, so he sees the system, so he knows a thing, penetrate into its essence. Tests do not include all the external conditions, and it is impossible to do. This is especially true of the humanities. For example, in the law, in order to clearly answer the question you must register absolutely all conditions, but unfortunately, this is impossible. Even the regulations do not provide for all the conditions of illegal offenses, which is why there is a position of a judge. Thus, the humanities can not be translated into the format of the test, because the social conditions of the environment is too dynamic. The social sciences applies only dialectical approach. Test knowledge test form to a certain extent is permissible for mathematics because Mathematics - highly formal logic, and therefore it does not depend on the pattern of change of conditions.

In sociology known two opposing paradigms: social fact paradigm (Comte, Durkheim) and the paradigm of understanding sociology (Weber). The paradigm of social facts linked with the name of Emile Durkheim and the school of functionalism. In this paradigm, the social reality is seen as independent and not dependent on the will and actions of individuals, consisting of social facts - social structures and institutions, which are the object of study of sociology. Historically crystallization functionalist paradigm occurred in the works of Radcliffe-Brown and Malinowski. In the future, within the framework of this paradigm to isolate and got independent development of structural-functional analysis (T. Parsons, R. Merton) and conflict theory (R. Dahrendorf). The general hypothesis of functionalism is that any given social phenomenon must be studied from the point of view of running them in a society functions. The paradigm of understanding, or the sociology of action is associated with the names of Max Weber and Pareto. Here, the social reality is seen through the prism of understanding of its social actors - individuals. According to Weber, the basis of all actions is an understanding and sociologist should reveal it, to comprehend the rational motives of the author. Further development of this paradigm has led to such directions as the phenomenological sociology of A. Schutz, ethnomethodology H. Garfinkel, simvolicheskiyinteraksionizm Luqman T. and G. Mead. Basic hypothesis of this paradigm is that any social phenomenon must be understood as a result of the superposition of individual actions [3, 56].

As an example, the test can not check the students' knowledge, there are examples of tests on family law.

Under the Family Code, the age of consent is set in ...

- eighteen years
- twenty one year
- sixteen years
- Fifteen years

This test provides an answer for eighteen years, but also IC provides that if there is a valid reason, the marriage age can be lowered to 16 years. In the test condition is not specified on what basis is established age - as a general rule, or in exceptional cases.

The obligation to pay child support in cases determined by law vested in:

- stepchildren
- grandchildren
- grandparents

This test provides all the answer options. In general, the test is that a specific question select one correct answer. This issue is made correctly, it does not check the student's knowledge.

A brief analysis of the test framework used to test students' knowledge corrupts thinking, encouraging active work just mind (what I see, then I understand), but not the mind - a way of thinking based on a dialectical approach.

### **Bibliography:**

1. Hegel, GWF Science of Logic / GWF Hegel. - M., 1997.-799s.
2. GWF Hegel Encyclopedia of Philosophy - M. : Thought, 1977. - 473s
3. Ilyenkov. EV Philosophy and Culture / E.V. Ilyenkov - M. : Politizdat, 1991. - 464s.
4. Ilyenkov EV The dialectics of the abstract and the concrete / EV Ilyenkov - M. : Publishing House "Russian Political Encyclopedia" (ROSSPEN) 1997. - 543 p.



## **SOCIAL NETWORKING, THE PROS AND CONS**

**Roman Sergeev,**

a first year student, computer networks.

Achinsk College industry technology and business

Russia, Achinsk.

**Irina Sitnikova,**

teacher of history and social science.

Achinsk College industry technology and business

Russia, Achinsk

**Abstract:** the article considers the problem of positive and negative influence of social networks on teenagers.

**Keywords:** social networking, web, virtual and real communication.

**Relevance:** From year to year the role of social networks in society becomes increasingly important. The last time this type of websites are most widely used, both in the West and at us in Russia. The results of numerous studies indicate that social networks already cover more than half of all Internet users. In Russia this indicator while less global, but it is growing rapidly.

**Hypothesis.** The youth of today prefer a virtual relationship than a real one. Spends most of his time to communicate on social networks.

The aim of our study was to conduct a survey on the topic, analyze the responses to the questionnaire and to identify the main pluses and minuses of social networks. To prove whether modern teenagers prefer virtual communication to real.

The aim of the work dictates the following tasks:

- to define the notion of "the social network";
  - to study the history of some social network communities; to consider a popular social-network services.
- Social networks have positive and negative sides. So, on the one hand, they are invaluable in finding old friends , maintaining relationships with them, despite the distance and busyness. In addition, social networks are a valuable tool in the job search process in modern humans. Means of communication for people with disabilities. On the other hand, recently scientists are seriously concerned about the amount of time a modern person spends while in social networks. The question of a possible mental disorder – a psychological dependence on social networks.

All of the above once again underlines the importance and urgency of the problem.

The practical significance is that this work can be used as additional material at the lessons of social studies, science and thematic classroom hours.

The survey involved 48 people. 8 girls and 20 boys. The ages of 15 and 19 years. Answering the questions of the questionnaire, all respondents noted the following pros and cons of social networking: Like a drug that, depending on dose, can be both useful and harmful, in the social networking time is a key indicator of utility. The study we obtained the following data:

The most popular social networks among users are V Kontakte, My World, Facebook, Skype, Odnoklassniki, YouTube, Twitter.

Most teenagers refuse to live communication and prefer virtual, citing the fact that just not enough time. They are registered in social networks, find friends, classmates or just know each other and communicate exclusively through the Internet. But virtual communication has its pros and cons. The disadvantages include weaning from live communication and addiction to the Internet. The man himself does not realize that he ceases to meet friends, all communication limited to social networks. Every day he comes to your page to see the incoming message or is his friends and it becomes a habit and you cannot live a quiet day, if not go to the Internet, and this is a clear signs of addiction.

The advantages noted by the respondents: in networks, you can easily find friends with whom you have lost contact. Make new friends, chat with friends and family who are far away. Joining a group can make interesting acquaintances with people with similar interests. If you communicate in social networks, this does not mean that you have an addiction, the main thing is to control their communication and not to hold them long. Remember that in real life there are a lot of interesting things and Internet cannot replace live communication. Social networks have their positive sides, and negative. One of the negative consequences

of the proliferation of social networks is the formation of a human psychological dependence on them. The basis for the origin of this condition, according to experts, is a lack of confidence of the person. Overreliance on social networks, according to scientists, harms both social and psychological health. The most dangerous this craze for teenagers. The most common measure in the fight against addiction these days is to block office and educational institutions access to social networks.

**Bibliography:**

1. All about social networks [electronic resource]/ Great report about social media. – Access mode: <http://vseseti.wordpress.com> free.
2. Habrahabr [electronic resource]/ the Social network. Prospects of development and ways of monetization. – Access mode: [http://habrahabr.ru/blogs/social\\_networks/22811/](http://habrahabr.ru/blogs/social_networks/22811/) free.
3. Center for information communications [electronic resource]/ social networking is injurious to health. – Access mode: [http://www.commcenter.ru/mmedia/articles/2009\\_02\\_26\\_02.html](http://www.commcenter.ru/mmedia/articles/2009_02_26_02.html) free.
4. Social networks from A to z [electronic resource]/ More time to communicate. – Access mode: <http://www.social-networking.ru/papers/36/> free.

# HUMOUR IN EVERYDAY AND BUSINESS INTERCULTURAL CONTEXT

**Victoria Haigh**

Student of City University of Hong Kong, CityU  
China, Hong Kong Special Administrative Region

**Abstract:** Effective communication requires an understanding of how people think, feel, and behave. In short, it involves knowing something about the cultural values, attitudes, and patterns of behavior. Humour is an aspect of particular consideration as each culture has different perceptions of what constitutes humour. The article highlights the reasons and consequences of misunderstanding humour in intercultural setting.

**Key words:** intercultural communication, humour, context.

Most of the problems caused by cross-cultural clashes are usually the result of the failure by some or all parties involved to recognize and account for differences in culturally-based communication styles. They assume that all peoples communicate using the same set of modes and rules (many of which, like body language styles, are unconsciously held).

There is no such thing as a universal form of communication. Take the simple gesture of a smile. It is not unusual for Americans to exchange smiles with complete strangers. They smile at people on the street, at the airport, in restaurants, shopping malls and so on. It is considered to be a friendly gesture. However, in other cultures a smile can take on a completely different meaning. In many Asia cultures, smiling for no reason is insincere and indicates foolishness. There is even a saying in Korea that states, "He who smiles a lot is not a real man." In Russia, it is considered poor taste to smile without a reason, and a constant polite smile is considered a "smile on duty" and shows a person's insincerity and unwillingness to show true emotion. But the USA is not alone in its smiling culture. Thailand considers the smile to be the most appropriate gesture in any given situation, and as such they are the culture that smiles the most. [1]

Many people fail to realize that gestures common in their country can be completely misinterpreted by someone from another country. Even humor that appears to avoid obvious cultural or linguistic references can fail in another country. No known cultures lack humor, but what is perceived as being funny varies enormously from one culture to another. What may be hilarious in one culture can be far from funny or even offensive in another. Some cultures prefer exaggerated slapstick humor, while others prefer more subtle humor. Americans and Canadians prefer jokes where there is a sense of superiority, while people from Ireland, the United Kingdom, Australia and New Zealand strongly prefer word plays. People from some European countries enjoy surreal jokes or those that involve making light of topics that often make us feel anxious, such as death, illness and marriage.

Apart from the fact that humor is culturally specific, when telling a joke in an international setting the speaker should keep in mind two basic rules: humour must be appropriate (context must allow for humor) and understandable (the incongruity game, or the "logic of the absurd", must be recognised and appreciated).

In some cultures, like the British and American, humor is used in business meetings, and business presentations often start with a humorous anecdote. In other cultures, however, business is considered no joking matter. It is not unusual at international business conferences, particularly in Asia, to hear the interpreter say, "The American is now telling a joke. When he finishes, the polite thing to do is to laugh."

Often jokes are told in an international business context when in fact it is inappropriate to use humor in such situations. But, even if humor is appropriate, the meaning of the joke or humorous story is frequently lost because it does not translate well from one culture to another. Jokes relying on cultural or linguistic references are less translatable than others.

The following example proves it: "The story is told of a businessman who gave a speech in a foreign country through an interpreter. Without warning the interpreter beforehand, he inserted a joke into the presentation. The interpreter knew the joke would not translate and knew of no equivalent to substitute in its place, so she said, "This man just told a joke that he thinks is funny, but it does not translate well, and you will not find it funny at all. So, when I stop talking, everyone please just laugh." The audience did indeed roar with laughter, but not for the reason the speaker supposed. Unaware of what really invoked such a positive reaction, the businessman was so pleased with the first result that he proceeded to tell another joke." [3]

Even though cultural differences in humour can partly be explained by language structure, the cultural element of humour mustn't be overlooked. Containing a lot of puns, Chinese humour for example resembles the English style of humour, but the cultural references that are essential to most jokes cannot be translated. There is, for example, a Chinese joke in which a woman keeps getting up every time the bus she is in stops; as Mandarin can be read both from left to right and from right to left, the sentence "Stopping at the next bus stop" can also mean "When the bus stops, stand up." If this joke were to be translated, it would require so much explanation in English that it is no longer funny

Jokes involving wordplay or colloquial expressions almost never have appropriate translations in other languages. The following examples give important insight on the potential pitfalls of cross culture communication.

When Kentucky Fried Chicken entered the Chinese market, to their horror they discovered that their slogan "finger lickin' good" came out as "eat your fingers off".

Chinese translation also proved difficult for Coke, which took two tries to get it right. They first tried Ke-kou-ke-la because when pronounced it sounded roughly like Coca-Cola. It wasn't until after thousands of signs had been printed that they discovered that the phrase means "bite the wax tadpole" or "female horse stuffed with wax", depending on the dialect. Second time around things worked out much better. After researching 40,000 Chinese characters, Coke came up with "ko-kou-ko-le" which translates roughly to the much more appropriate "happiness in the mouth".

Things weren't much easier for Coke's arch-rival Pepsi. When they entered the Chinese market a few years ago, the translation of their slogan "Pepsi Brings you Back to Life" was a little more literal than they intended. In Chinese, the slogan meant, "Pepsi Brings Your Ancestors Back from the Grave" [4].

Whether countries prefer satire, slapstick or a style of humour we are not even aware of, fact is that humour exists in every culture. This is why laughter is featured on the list of "human universals" created by anthropologist Donald Brown [2]. Even though it is important to be aware of cultural differences with regard to humour, in the end, most people laugh about the same things. Similarly, jokes referencing politics, religion, gender and other stereotypes are dangerous even when speaking to a domestic audience and run an even greater risk in other countries

Humor is more challenging in intercultural settings than in intra-cultural ones. If humor is understood and appreciated in international everyday and business contexts, it can be a powerful bonding technique, contributing to, and even creating, feelings of mutual understanding, harmony and trust.

### **Bibliography:**

1. Batts, S. The cross-cultural meaning of a smile. URL: <http://scienceblogs.com/retrospectacle/2007/08/08/the-crosscultural-meanings-of-1/> (the date of treatment: 08.02.2016)
2. Brown, D.E. Human universals. New York: McGraw-Hill, 1991. – 225 pp.
3. Wooten, A. International Business: I don't get it: Humor lost in translation. URL: <http://www.deseretnews.com/author/22830/Adam-Wooten.html> (the date of treatment: 08.02.2016)
4. <http://www.us-expatriate-handbook.com/chpt3.htm>
5. <http://www.essentialaction.org/tobacco/intro/funny.html>

# СОДЕРЖАНИЕ

## Section 1

### Modern tendencies in economics and management: new perspective

INVESTMENT POLICY IN AGRICULTURE.....	4
Abashin S. A.	
PROBLEMS OF IMPROVEMENT OF SOCIAL AND LABOR RELATIONS IN AGRICULTURE .....	6
Batrakova A. Anna	
IMPROVEMENT OF THE LAND LEGISLATION AS THE NECESSARY CONDITION AND THE FACTOR OF INCREASE OF EFFECTIVE MANAGEMENT OF LAND RESOURCES IN AGRICULTURAL PRODUCTION .....	8
Beloglazova A. Yuryevna	
ACCOUNTING IN A PERSON'S LIFE .....	11
Vorobyeva Lyudmila Nikolaevna Kovaleva Aleksandra Vladimirovna	
RESEARCH TRENDS MARKET SUGAR CONFECTIONERY AT THE INTERNATIONAL AND NATIONAL MARKETS .....	13
Elena Gerasimova	
REGULATION BY CENTRAL BANK OF THE RUSSIAN FEDERATION LIQUIDITIES OF COMMERCIAL BANKS .....	15
Alexey A. Zhack	
IMPROVEMENT OF THE LAND LEGISLATION AS THE NECESSARY CONDITION AND THE FACTOR OF INCREASE OF EFFECTIVE MANAGEMENT OF LAND RESOURCES IN AGRICULTURAL PRODUCTION .....	18
Kulneva Elizabeth Vadimovna	
PROBLEMS IN RUSSIA excise taxation.....	20
Kuranov Egor Sergeevich	
FORMATION OF COMPETITIVENESS OF WORKERS SYSTEM KPI.....	22
Anastasiya O. Logachova	
IMPROVING THE EFFICIENCY OF AGRO-INDUSTRIAL COMPLEX.....	24
Diana Martey	
PRICING PROBLEMS IN THE MODERN ECONOMY .....	25

Parfyonova Valerya Alexandrovna

MODERN STATE AND TENDENCIES OF DEVELOPMENT OF POULTRY FARMING IN THE KRASNOYARSK TERRITORY .....27  
Stanislaw M. Popov

NONAGRICULTURAL EMPLOYMENT IN COUNTRYSIDE .....29  
Sinyaya Victotiya Valerievna

ECONOMY AND QUALITY MANAGEMENT .....31  
Tolstova E. Aleksandrovna

THE TRANSPORT TAX IN THE REGIONAL LEVIES OF KRASNOYARSK REGION .....34  
Ulibin Maksim Viktorovich

FEATURES OF PRICING AT THE PRESENT STAGE .....36  
Chernilevskaya Christina Dmitriyevna

## **Section 2**

### **Innovative approaches in modern management**

ACCOUNTING OF FIXED ASSETS ON THE EXAMPLE CJSC "SVETLANOVSKOE" NOVOSELOVSKY DISTRICT .....39  
Agarkova Yulia

THE ACCOUNTING OF CALCULATIONS WITH PERSONNEL FOR COMPENSATION AND OFF-BUDGET FUNDS IN LLC POBEDA OF THE PIROVSKY AREA .....42  
Asmalovskaya D.

MARKETING INNOVATIONS IN THE SPHERE OF TRAVEL BUSINESS .....45  
Blakhtin Vladislav

ON THE MODELING BUSINESS PROCESSES IN AGRICULTURE .....48  
Valery S. Bondareva

THE DEVELOPMENT OF THE FIRST AGRICULTURAL MARKET .....51  
IN THE REPUBLIC OF KHAKASSIA  
Grintsak Kristina Aleksandrovna

THE COST OF MATERIALS AND THE SALE OF JSC "ILYINSKOE" UZHURSKY DISTRICT .....53  
Evdokimova A.

ORGANIZATIONAL-ECONOMIC DESCRIPTION AND ASSESSMENT OF THE FINANCIAL CONDITION OF JSC "ILYINSKOE" UZHURSKY DISTRICT .....56

Evdokimova A.

THE USE OF INDICATORS TO ASSESS THE EFFECTIVENESS OF INNOVATIVE PROJECT .....	58
Zhemchugova Kseniya Aleksandrovna	
ASSESSMENT OF RISKS IN INVESTMENT PROJECTS .....	60
Kalashnikov Vladislav	
ASSESSMENT OF EFFICIENCY OF REALIZATION OF STRATEGY OF DEVELOPMENT OF THE AGRICULTURAL ENTERPRISES OF THE EMELYANOVSKY AREA .....	62
Karpunina Anna Nikolaevna	
EFFICIENCY OF INDUSTRIAL POTENTIAL OF THE ENTERPRISES OF SMALL AND AVERAGE BUSINESS OF THE KRASNOYARSK REGION .....	64
Kozlov M. A.	
SMALL BUSINESSES IN RURAL AREAS OF THE KRASNOYARSK TERRITORY .....	65
Lipshin Alex G.	
ASSESSMENT OF PRODUCTIVITY OF BUSINESS PROCESSES IN AGRO-INDUSTRIAL COMPLEX .....	67
Mashneva A.E.	
STAFFING OF AGRICULTURE KRASNOYARSK REGION .....	69
Mohireva Anna Nikolaevna	
THE RATIONALE FOR THE USE OF THE GENERALIZED HURWITZ CRITERION WITH COEFFICIENTS TO EVALUATE THE EFFICIENCY OF INNOVATIVE PROJECTS OF ENTERPRISES OF THE RSP .....	71
Parfenova Elena	
METHODS OF PERSONNEL ASSESSMENT IN THE ORGANIZATION.....	73
Sanarov Denis Aleksandrovich	
THE EFFICIENCY OF THE ENTERPRISES OF THE MEAT INDUSTRY IN SYSTEM OF AGRO-INDUSTRIAL COMPLEX .....	75
Aisulu Sarmanova	
THE MODERN STRATEGIES FOR MOVING GOODS TO MARKET .....	77
Christina V. Svetilnikova	
FEATURES OF INFLATION IN RUSSIA .....	79
Stepanova Ksenia Aleksandrovna	

" WASTE IN INCOME " .....	81
Taranosova Anastasia Igorevna	
FEATURES OF THE ACCOUNTING OF PROPERTY BY REORGANIZATION OF THE LEGAL ENTITY.....	83
Titova A.	
ORGANIZATIONAL-ECONOMIC DESCRIPTION AND ASSESSMENT OF THE FINANCIAL CONDITION OF LLC "VICTORY" CAME DISTRICT .....	86
Furman Irina	
UNEMPLOYMENT IN RUSSIA .....	89
Shadrina Anna Vladimirovna	
THE MARKET OF SPORT GOODS .....	91
Olesya R. Shashina	
PROBLEMS OF IMPLEMENTATION OF QUALITY MANAGEMENT SYSTEMS IN RUSSIA .....	94
Irina N. Shirinkina	
ADOPTION OF ADMINISTRATIVE DECISIONS IN THE FIELD OF PLANT MANAGEMENT .....	97
Shirinkina Irina	
THE USE OF NETWORK TECHNIQUES IN PLANNING INNOVATIVE PROJECTS OF THE ENTERPRISES OF THE RSP .....	100
Sergey Shkolin A.	

### ***Section №3***

#### **Engineering and technological maintenance of production processes in the agroindustrial complex (AIC)**

TECHNIQUE OF OPTIMIZATION OF PARAMETERS AND OPERATING MODES OF MTA .....	102
Sharoyko Ranas S	
Akchurin Stiwen Yu	
FEATURES OF PROTECTION OF METAL FROM THE RUST IN MODERN CONDITIONS .....	105
Andreev Alexander Anatolevich	
MECHANIZED REJUVINATION HERBAGE ON MOUNTAIN PASTURES .....	107



Begidov Muhamed Aslanbievich

GRAIN ELEVATOR FOR MINI FARMS ..... 111  
Evgeny Y. Voronov

THE HEAT GENERATOR PYROLYSIS ..... 113  
Ruslan R. Gajnullin

PLANT FOR PURIFICATION OF OIL BY THE ELECTROSTATIC METHOD ..... 115  
Gordeev Maksim Pavlovch

PSEUDOFLUIDIZATION GRAIN DRYING ENERGY SAVING TECHNOLOGY  
EMPLOYING PROGRAMMABLE LOGIC CONTROLLER  
AND HUMIDITY SENSORS ..... 118  
Evseev Kirill V.

MODERNIZATION OF POTATO DIGGER KST - 1,4..... 123  
Zachar Pavel

NEW ENERGY-SAVING TECHNOLOGIES ..... 125  
Sergey G. Ivanov

FLOW-PULSATING TECHNOLOGY POST-HARVEST HANDLING OF CROPS ..... 127  
Mikhail A. Kuropatkin

ABOUT EXPEDIENCY OF CREATION DOMESTIC POWER SATURATED WHEEL 4K4A  
TRACTORS ..... 129  
Miller YUrij Vladimirovich

DESIGN ENGINEERING SERVICESN PASTURES..... 131  
Mihajljuk Dmitrij Sergeevich

WATER-FUEL MIXTURE IN AUTOMOTIVE ENGINES ..... 133  
Andrei V. Mordwinov

THEORETICAL MECHANICS AS THE BASIS OF CONSTRUCTION OF AGRICULTURAL  
MACHINERY ..... 135  
Vasil Nikitin

SOFT TECHNOLOGY OF BIOFUELS FROM RAPESEED ..... 137  
Catherine G. Penkova

THE SMALL-SIZED DEVICE FOR EXPRESS ANALYSIS OF ENGINE OILS AND  
HYDRAULIC LIQUIDS ..... 140

Pechkov Aleksandr Aleksandrovich

GRANARY MODERNIZATION IN EDUCATION «KANONEROVSKOE» ..... 142  
Savel'ev Igor'

THE METHODS OF CONSERVATION AND PARTIAL COMPENSATION FOR LOSS OF  
POWER OF THE DIESEL MOTOR DURING WORKING IN THE MOUNTAINS ..... 144  
Saenko Oleg Olegovich

WATER SUPPLY OF AGRICULTURAL PRODUCTION ..... 147  
Eugene V. Furs

WAYS OF WORKING THE LAND ..... 149  
Yang Dipertuan Besar

#### ***Section №4***

#### **Modern tendencies of energy saving in the agroindustrial complex (AIC)**

TRENDS IN THE DEVELOPMENT OF MODERN AUTOMATED-TION OF ELECTRICITY  
METERING DEVICES ..... 151  
Anastasia A. Astapchuk  
Veronika A. Bulatova

IMPROVING THE EFFICIENCY OF LIGHTING ..... 155  
Anastasia A. Bikeeva

THE FEASIBILITY OF ENERGY SAVING LAMP ..... 159  
Bulatova Veronika Andreevna

THE STAND FOR RESEARCH OF CHARACTERISTICS OF LIGHTING LAMPS ..... 161  
Ivan S. Verner  
Vasily P. Maltsev

DEVELOPMENT OF THE PROGRAM COMPLEX FOR REMOTE CONTROL  
OF THE FREQUENCY ELECTRIC DRIVE ..... 163  
Globa Maxim Dmitriyevich

MOBILE COMPLEX FOR RESEARCH OF PHYSICAL PROPERTIES OF THE  
SOIL ..... 165  
Zhalimov Ruslan Ravilyevich

ANALYSIS OF CURRENT TRENDS OF DEVELOPMENT OF CONTROL SYSTEMS OF  
STREET LIGHTING ..... 166

Lev A. Kilyakov

FEATURES OF VENTILATION OF LIVESTOCK ROOMS .....	168
Vladislav O. Kozlikin	
MULTIANGULAR ELLIPSOMETRIYA – THE PERSPECTIVE METHOD OF RESEARCH OF ENERGY SAVING THIN-FILM COVERINGS.....	171
Mosquitoes Vasily Andreevich	
NEW ENERGY TECHNOLOGIES .....	172
Lyadovskiy Evgeny Aleksandrovich	
MÜLLER – ELLIPSOMETRIYA FOR QUALITY CONTROL OF ENERGY... SAVING THIN-FILM COVERINGS	174
Maximova Olga Aleksandrovna	
COMBINED HEAT ANIMALS .....	176
Medvedeva Victoria Gennadevna	
DEVELOPMENT OF THE SYSTEM OF INTELLECTUAL STREET LIGHTING IN THE CITY OF ACHINSK .....	178
Nikolay P. Pisany,	
ANALYSIS OF MODERN TRENDS IN THE DEVELOPMENT OF LIGHTING GREENHOUSES .....	181
Pisanyy Nikolai Pavlovich	
WIRELESS POWER TRANSMISSION AT A DISTANCE.....	183
Alexander Popov	
LED FEEDS FOR THE GREENHOUSE TECHNOLOGY.....	186
Mukhammadikbol H. Sanginov	
Gulmirzo N. Husenov	
WELDING MACHINE FOR ELECTRICAL.....	189
Ilya Aleksandrovich Sidoryuk	
DEVELOPMENT TRENDS OF HEAT RECYCLING INSTALLATIONS TO CREATE A MICROCLIMATE IN THE BARN .....	192
Tatiana Frolova	
AUTOMATIC REMOTE LIGHTING .....	194
Tsivanyuk Vladislav Evgenievich	
FUTURE DEVELOPMENTS EXTERIOR LIGHTING SYSTEMS.....	197
Vladislav D. Shaluhin	

## ***Section №5***

### **Modern problems of formation and development of agricultural sciences**

PROBLEMS OF IMPROVEMENT OF QUALITY OF LIFE AND THEIR DECISION IN DOCUMENTS OF TERRITORIAL PLANNING .....	204
Arnautova Ekaterina Sergeyevna	
DEFICIENCY OF FRESH WATER AS ONE OF GLOBAL PROBLEMS OF MANKIND ...	207
Arnautova Ekaterina Sergeyevna	
”ACID RAINS” AS ONE OF GLOBAL ENVIRONMENTAL PROBLEMS. THE CONSEQUENCES AND SOME SOLUTIONS.....	209
Arnautova Ekaterina Sergeyevna	
FOREST ECOSYSTEMS .....	211
Danilyuk Karina	
CHRONIC TOXICITY HERBICIDES IN SUGAR BEET PLANTS AND SOIL .....	213
Zoran Zivkovic	
PROBLEMS OF RURAL AREAS .....	215
Kretsul Ekaterina Petrovna Sening Elena Sergeevna	
PROBLEMS OF RURAL AREAS .....	217
Melnikov Aleksey Viktorovich Strelkov Sergey Sergeevich	
PLASTIC GARBAGE AS SECONDARY RAW MATERIALS FOR PRODUCTION OF ENERGY RESOURCES.....	219
Muratova Olga Andreevna	
DEVELOPMENT PLAN SETTLEMENTS CHAPLINSKAJA OF THE VILLAGE COUNCIL OF NAZAROVSKY DISTRICT IN KRASNOYARSK KRAI .....	222
Naumova Anastasia S	
SUSTAINABLE AGRICULTURE .....	224
Podlesnov Alexei Valerevich Fadeev Kirill Valerevich	
REPRODUCTION GREEN CUTTINGS GRAPES WITH CLOSED ROOT SYSTEM IN CONDITIONS OF SOUTHERN FOREST-STEPPE OF WESTERN SIBERIA.....	227

Anastasia P. Ryzhikh

EFFECT ON ROOTING SUBSTRATES GREEN CUTTINGS HONEYSUCKLE-  
STI UNDER SOUTHERN FOREST OMSK REGION..... 230

Roman A. Sakharilenko

SOURCES OF FINANCIAL RESOURCES FOR AGROBUSINESS  
Ilya Tarasov E. .... 233

A METHOD FOR REMOVING SAND FROM NETS IN CATTLE ..... 235  
Cihan TTyulyu je

PROJECT BESSOSHNIKOVOY PLANTER FOR FOREST NURSERIES TO A TRACTOR T-  
25A Julia V. Frantsuzenko ..... 236

TOOLS FOR SHAKING OFF CEDAR CONES  
Julia V. Frantsuzenko ..... 239

INSTRUMENT FOR LAYING FOAM SUPPORT STRIPS FOR FOREST FIRE  
EXTINGUISHING  
Julia V. Frantsuzenko ..... 241

## **Section №6**

### **Actual problems of the modern Russian law and legislation**

CRIME AS A SOCIAL PROBLEM ..... 243  
Aull Natalia

FEATURES OF THE CRIMINAL LIABILITY OF MINORS, LAGGING BEHIND IN  
MENTAL DEVELOPMENT ..... 245  
Baranova Mariya Sergeevna

LEGAL ASPECTS OF DETERMINATION OF FORMS OF EDUCATION OF CHILDREN  
LEFT WITHOUT PARENTAL CARE: THEORETICAL AND LEGAL ASPECTS ..... 247  
Baranova Maria Sergeevna

TO THE QUESTION OF THE ADMISSIBILITY OF TACTICS  
QUESTIONING ..... 249  
Baryshnikov Konstantin Viktorovich

ON THE SUBJECT OF JUDICIAL EXPERTOLOGY ..... 251  
Buryak Sergey V.

PROBLEMS OF IDENTIFICATION AND DISCLOSURE OF THE CRIMES COMMITTED BY THE PERSONS HAVING THE MENTAL DISORDER WHICH ISN'T EXCLUDING SANITY .....	253
Valiullina Regina Rafikovna	
CITIZEN PARTICIPATION IN THE ADMINISTRATION OF JUSTICE: ISSUES STORIES.....	255
Christina E. Voropaeva	
CRIMINAL PROCEDURE PROBLEMS OF THE APPLICATION compulsory medical measures .....	257
Gerasimova Olga A.	
IDENTIFICATION CARDS CRIMINALS .....	259
Gordienko S. Bogdan	
FEATURES CHECKING REPORTS OF CRIMES IN THE PRELIMINARY INVESTIGATION STAGE, CREATING A BASIS FOR FURTHER INVESTIGATION OF THEFTS COMMITTED BY CITIZENS OF THE DWELLINGS.....	261
Evgeny Grishin	
THE PROBLEM OF interpretation results IN CRIMINAL PROCEEDINGS.....	263
Zaikin Aleksey Viktorovich	
TACTICAL AND PSYCHOLOGICAL FEATURES OF THE PRODUCTION OF A CONFRONTATION INVOLVING JUVENILE DEFENDANTS.....	265
Zeylesh Vitaliy	
CONTEMPORARY ISSUES OF APPEAL AND SOLUTIONS.....	267
Zikratova Ekaterina Igorevna	
PROBLEMS OF confrontation AND SOLUTIONS .....	269
Kalugina Svetlana Andreevna	
SOME QUESTIONS OF QUALIFICATION OF SEXUAL CRIMES AGAINST MINORS...271	
Kaminska Veronica V	
SOME QUESTIONS OF QUALIFICATION OF SEXUAL CRIMES AGAINST MINORS...273	
Kaminska Veronica V.	
TO THE QUESTION OF DISCRETION IN CONSTITUTIONAL LAW .....	275
Sergei A. Kokov	
WHETHER THE MATHEMATICS IS NECESSARY TO LAWYERS? .....	278

Kocheshkov Alexander Vladimirovich CITIZENS' PARTICIPATION IN SHAPING THE ACTIVITIES OF PUBLIC COUNCILS UNDER THE PUBLIC AUTHORITIES .....	281
Kseniya E.Kudashkina	
HISTORICAL AND LEGAL ASPECTS OF THE ORGANIZATION OF LOCAL SELF- GOVERNMENT IN RUSSIA.....	283
Vladislava S. Lukashenko	
CONCEPT OF THE STATE FAMILY POLICY OF THE RUSSIAN FEDERATION.....	285
Malkova E. Aleksandrovna	
INTERNATIONAL LEGAL ASPECTS OF REGULATION OF THE INSTITUTE OF EUTHANASIA: THEORETICAL AND LEGAL ASPECTS.....	287
Melnikov Aleksey Viktorovich	
PROBLEMS investigative searches AND SOLUTIONS .....	291
Melnikova Christina A.	
ORGANIZATIONAL AND MANAGERIAL FOUNDATIONS OF PUBLIC PARTICIPATION IN THE ACTIVITIES OF THE AUTHORITIES OF MODERN RUSSIA .....	294
Daria A. Mikhailova	
SINGLE QUESTIONS OF EXECUTION AND SERVING OF FORCED LABOUR .....	297
Pergunova Elizaveta Sergeevna	
Kovaleva Svetlana Yurievna	
PROBLEMS investigative experiment AND SOLUTIONS.....	298
Pilipchuk Tatiana Ruslavnovna	
INTERACTIONS OF THE CONSTITUTIONAL STATE AND CIVIL SOCIETY IN MODERN CONDITIONS.....	300
Alina.E Polyakova	
INVESTIGATOR AS A PARTICIPANT OF CRIMINAL JUSTICE: CHALLENGES AND PROSPECTS FOR THEIR DECISION .....	302
Potylitsyn Irina	
PROBLEM OF LEGAL NIHILISM IN MODERN RUSSIA .....	305
Nikolay.C Ryabkov	
THE USE OF HYPNOSIS IN THE COURSE OF THE INVESTIGATION.....	307
Ryakhovskaya Olga A.	

THE ANALYSIS OF SEPARATE ASPECTS OF THE DRAFT OF THE CODE OF THE RUSSIAN FEDERATION ABOUT ADMINISTRATIVE RESPONSIBILITY .....	309
Svatkova Albina Alekseevna	
ANATOLY HORSES: THE FIRST LOVER FEMIDA .....	312
Alexandra V. Uvarova	
VICTIM ASPECTS OF PREVENTION OF CRIMES AGAINST SEXUAL INVIOLABILITY .....	315
Filippova Ksenia Yuryevna	
CONTRACTUAL MODE OF PROPERTY OF THE MARRIED COUPLES. TO QUESTION A BOUT MARRIAGE AGREEMENT .....	317
Filippova Ksenia Yuriy	
ON THE CONCEPT OF PHYSICAL EVIDENCE .....	319
Khromenkova Elena S.	
PROBLEM OF COLLECTING EXPENSES ON FEE OF THE REPRESENTATIVE IN THE TYPE OF "THE SUCCESS FEE" .....	321
Mikhail Y. Sharapov	
LEGAL MEANS ENSURE THE PARTICIPATION OF YOUTH IN THE POLITICAL SPHERE COMMUNITY .....	323
Kirill N. Shiryaev	
WAYS OF DEALING WITH ABSENTEEISM IN MODERN RUSSIA .....	325
Shikhovtsova Xenia E.	
INTERNATIONAL LEGAL BASES OF PROTECTION THE RIGHTS OF CITIZENS WITH LIMITED OPPORTUNITIES .....	327
Shurupova Elena Aleksandrovna	
<b>Section №7</b>	
<b>Humanization of scientific knowledge in the modern Russian reality</b>	
THE ROLE OF THE FAMILY IN SHAPING THE CHILD'S PERSONALITY .....	329
Natalia Bikmuhametova	
THE WORD "CRIMINAL" IN THE DICTIONARY AND SPEECH .....	331
Christina S. Havrylets	
NEGOTIATION EFFECTIVENESS IN HIGH AND LOW CONTEXT CULTURES .....	333
Vladlena Gostroushko	



OCHLOCRACY AS A DISTORTION OF DEMOCRACY .....	336
Alexandr I. Guschin	
EXPLICIT AND IMPLICIT COMMUNICATION STYLES .....	339
Emma Gordon	
MODERN IDIOMS IN SPEECH PRACTICE OF A LAWYER .....	341
Irina I. Ignatenko	
SOPHISTRY IN SPEECH OF VLADIMIR PUTIN .....	343
Daniil M. Kokorin	
EXCHANGE STUDENTS AND REVERSE CULTURE SHOCK .....	346
Polina Kochetova	
FEASIBILITY OF COMPETENCY APPROACH TO THE FORMATION OF PROFESSIONAL QUALITIES OF A UNIVERSITY GRADUATE .....	348
Sergey A. Kraynov	
«FASHIONABLE WORDS» IN THE SPEECH OF POLITICIANS .....	351
Alexander A. Krasnenko	
THE SYSTEM OF MILITARY-PATRIOTIC EDUCATION OF STUDENTS IN HIGH SCHOOL: PROBLEMS AND PROSPECTS .....	353
Valery M. Kuznetsov Evgenij V. Morozov	
THE QUESTION OF ESSENCE THE CONCEPT «NATIONALISM » .....	355
Nikita V. Losukov	
MODERNIZATION OF TRADITIONAL CHINESE SOCIETY .....	358
Maria V. Mikhaylova	
MORAL ORGANISATION OF HUMAN NATURE IN PHILOSOPHY VL. SOLOVYOV ..	360
Ilya E. Nazarov	
THE CONCEPT OF "ONE COUNTRY, TWO SYSTEMS" .....	363
Yulia V. Paderina	
THE IMPACT OF WORDS ON PEOPLE .....	365
Alex A. Pinarin	

FORMALISM OF TESTS IN THE PROCESS OF FORMING STUDENTS' KNOWLEDGE.....	367
Svatkova Albina Alekseevna	
SOCIAL NETWORKING, THE PROS AND CONS .....	369
Roman Sergeev	
HUMOUR IN EVERYDAY AND BUSINESS INTERCULTURAL CONTEXT .....	371
Victoria Haigh	